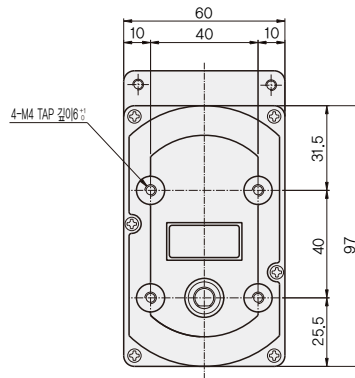


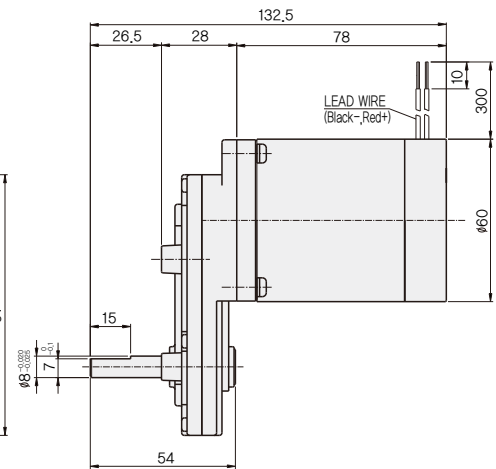
## KGY-TYPE

### DIMENSIONS

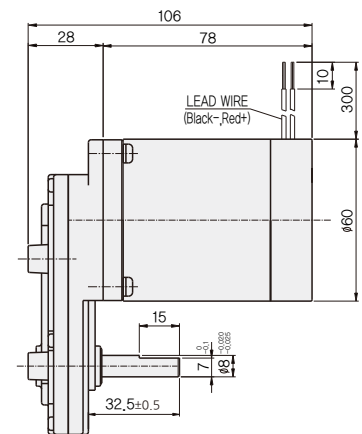
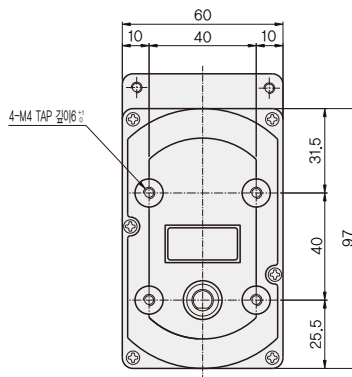
#### KGY SERIES (AC/DC 6W)



#### F TYPE



#### R TYPE



#### MOTOR PERFORMANCE DATA

| MODEL   | MOTOR        |           | NO LOAD |      | AT MAX. EFF. |        |      | STALL  |   |
|---------|--------------|-----------|---------|------|--------------|--------|------|--------|---|
|         | VOLTAGE      | OUTPUT(W) | rpm     | A    | rpm          | kgf-cm | A    | kgf-cm | A |
| K6DG6N1 | DC 12V       | 6         | 3580    | 0.7  | 3000         | 0.2    | 1.1  | 1.6    | 8 |
| K6DG6N2 | DC 24V       | 6         | 3400    | 0.4  | 3000         | 0.2    | 0.6  | 1.7    | 5 |
| K6DG6N3 | DC 90V       | 6         | 3175    | 0.07 | 3000         | 0.2    | 0.1  | 1.9    | 1 |
| K6IG6NC | AC 220V 60Hz | 6         |         |      | 1500         | 0.4    | 0.11 |        |   |

\* K6IG6NC is AC 220V 60Hz INDUCTION MOTOR. Please refer to AC INDUCTION MOTOR CATALOG for detailed data.  
 \* The standard is F-TYPE.

## KGY-TYPE

### DIMENSIONS

AT MAXIMUM EFFICIENCY (KGY-□□□□-K6D(I)G6N□)

| GEAR \ MODEL | K6DG6N1   |        | K6DG6N2   |        | K6DG6N3   |        | K6IG6NC         |        |
|--------------|-----------|--------|-----------|--------|-----------|--------|-----------------|--------|
|              | DC 12V-6W |        | DC 24V-6W |        | DC 90V-6W |        | AC 220V 60Hz-6W |        |
|              | rpm       | kgf-cm | rpm       | kgf-cm | rpm       | kgf-cm | rpm             | kgf-cm |
| 1/0008       | 375       | 0.9    | 375       | 0.9    | 375       | 0.9    | 187.5           | 2.3    |
| 1/0011       | 272.7     | 1.3    | 272.7     | 1.3    | 272.7     | 1.3    | 136.4           | 3.2    |
| 1/0015       | 200       | 1.7    | 200       | 1.7    | 200       | 1.7    | 100             | 4.4    |
| 1/0021       | 142.8     | 2.4    | 142.8     | 2.4    | 142.8     | 2.4    | 71.4            | 6.1    |
| 1/0027       | 111.1     | 3.1    | 111.1     | 3.1    | 111.1     | 3.1    | 55.6            | 7.9    |
| 1/0031       | 96.8      | 3.6    | 96.8      | 3.6    | 96.8      | 3.6    | 48.4            | 9      |
| 1/0036       | 83.3      | 4.2    | 83.3      | 4.2    | 83.3      | 4.2    | 41.7            | 10.5   |
| 1/0043       | 69.8      | 5.0    | 69.8      | 5.0    | 69.8      | 5.0    | 34.9            | 12.5   |
| 1/0047       | 63.8      | 5.5    | 63.8      | 5.5    | 63.8      | 5.5    | 31.9            | 13.7   |
| 1/0055       | 54.5      | 6.4    | 54.5      | 6.4    | 54.5      | 6.4    | 27.3            | 16     |
| 1/0060       | 50        | 7.0    | 50        | 7.0    | 50        | 7.0    | 25              | 17.5   |
| 1/0075       | 40        | 8.7    | 40        | 8.7    | 40        | 8.7    | 20              | 20     |
| 1/0086       | 34.9      | 10.0   | 34.9      | 10.0   | 34.9      | 10.0   | 17.4            | 20     |
| 1/0100       | 30        | 11.7   | 30        | 11.7   | 30        | 11.7   | 15              | 20     |
| 1/0115       | 26.1      | 13.4   | 26.1      | 13.4   | 26.1      | 13.4   | 13              | 20     |
| 1/0130       | 23.1      | 15.2   | 23.1      | 15.2   | 23.1      | 15.2   | 11.5            | 20     |
| 1/0145       | 20.7      | 16.9   | 20.7      | 16.9   | 20.7      | 16.9   | 10.3            | 20     |
| 1/0165       | 18.2      | 19.2   | 18.2      | 19.2   | 18.2      | 19.2   | 9.1             | 20     |
| 1/0200       | 15        | 20     | 15        | 20     | 15        | 20     | 7.5             | 20     |
| 1/0250       | 12        | 20     | 12        | 20     | 12        | 20     | 6               | 20     |
| 1/0275       | 10.9      | 20     | 10.9      | 20     | 10.9      | 20     | 5.5             | 20     |
| 1/0300       | 10        | 20     | 10        | 20     | 10        | 20     | 5               | 20     |
| 1/0360       | 8.3       | 20     | 8.3       | 20     | 8.3       | 20     | 4.2             | 20     |
| 1/0450       | 6.7       | 20     | 6.7       | 20     | 6.7       | 20     | 3.3             | 20     |
| 1/0550       | 5.5       | 20     | 5.5       | 20     | 5.5       | 20     | 2.7             | 20     |
| 1/0590       | 5.1       | 20     | 5.1       | 20     | 5.1       | 20     | 2.5             | 20     |
| 1/0680       | 4.4       | 20     | 4.4       | 20     | 4.4       | 20     | 2.2             | 20     |
| 1/0740       | 4.1       | 20     | 4.1       | 20     | 4.1       | 20     | 2               | 20     |
| 1/0825       | 3.6       | 20     | 3.6       | 20     | 3.6       | 20     | 1.8             | 20     |

\* □ color gear ratios are same rotation direction with motor.

\* AC 220V 60Hz-6W MOTOR among the above data is the case of applying our □ 60 angle AC INDUCTION MOTOR.

\* The standard is F-TYPE.