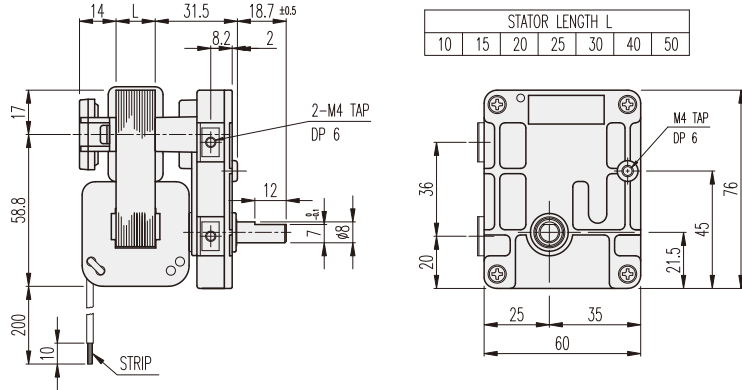
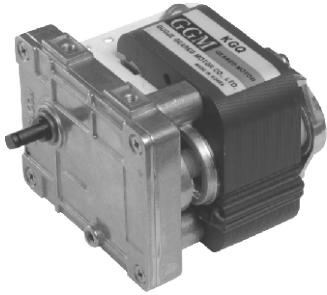


## KGQ-TYPE

### DIMENSIONS

#### KGQ SERIES



#### AT MAXIMUM EFFICIENCY (KGQ-□□□□-KA61□□AE)

MOTOR	KA6120AE				KA6130AE				KA6140AE				KA6150AE			
	50		60		50		60		50		60		50		60	
GEAR RATIO	rpm	kgf-cm	rpm	kgf-cm	rpm	kgf-cm	rpm	kgf-cm	rpm	kgf-cm	rpm	kgf-cm	rpm	kgf-cm	rpm	kgf-cm
1/0096	25	4.5	30.2	3.6	25	8.4	30.2	6.0	25	11.0	30.2	8.3	25	13.8	30.2	11.2
1/0380	6.3	20	7.6	16	6.3	20	7.6	20	6.3	20	7.6	20	6.3	20	7.6	20
1/0532	4.5	20	5.4	20	4.5	20	5.4	20	4.5	20	5.4	20	4.5	20	5.4	20

\* Above data is based on general type of shaded pole motor applied.  
 \* These gear ratios are same rotation direction with motor.