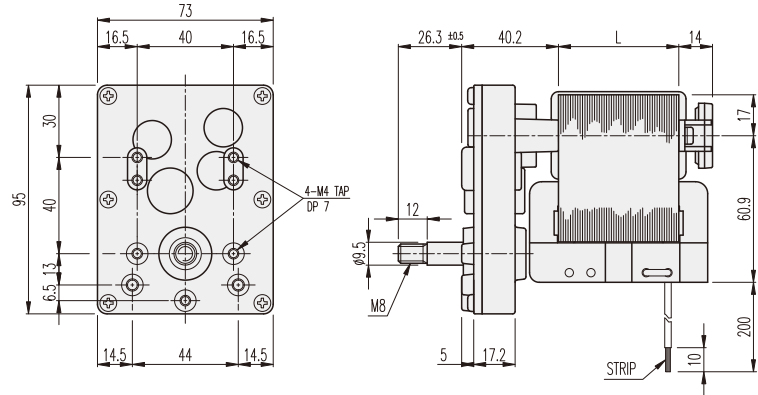
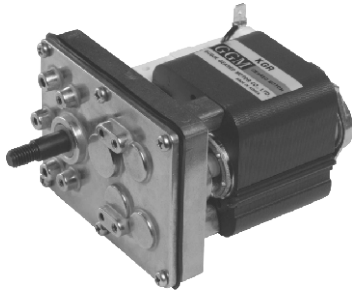


KGR-TYPE

DIMENSIONS

KGR SERIES



AT MAXIMUM EFFICIENCY (KGR-□□□□-KA61□□AE)

MOTOR	KA6120AE				KA6130AE				KA6140AE				KA6150AE			
	50		60		50		60		50		60		50		60	
GEAR RATIO	rpm	kgf-cm	rpm	kgf-cm	rpm	kgf-cm	rpm	kgf-cm	rpm	kgf-cm	rpm	kgf-cm	rpm	kgf-cm	rpm	kgf-cm
1/0123	19.5	6.5	23.5	5.2	19.5	12.1	23.5	8.7	19.5	15.9	23.5	12.0	19.5	20	23.5	16.1
1/0136	17.6	7.9	21.3	6.3	17.6	14.9	21.3	10.7	17.6	19.5	21.3	14.8	17.6	20	21.3	20
1/0192	12.5	11.2	15.1	9	12.5	20	15.1	15.1	12.5	20	15.1	20	12.5	20	15.1	20

* Above data is based on general type of shaded pole motor applied.
 * color gear ratios are same rotation direction with motor.