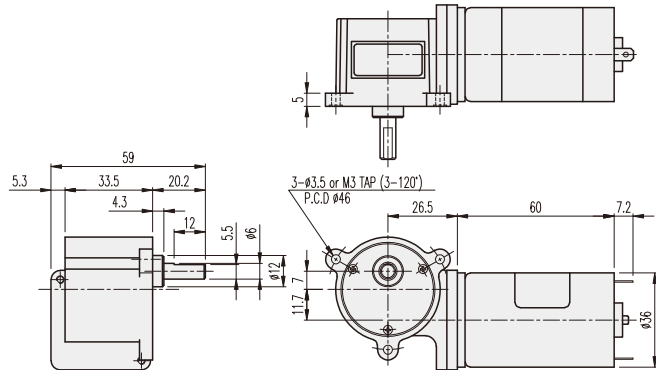
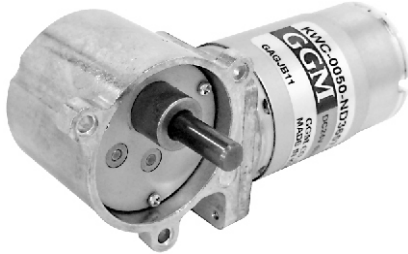


KWC-TYPE

Worm GEARHEAD

DIMENSIONS

KWC-3657 SERIES



MOTOR PERFORMANCE DATA

MODEL	ITEM	VOLTAGE (DC)	NO LOAD		AT MAX. EFF.			STALL		WEIGHT (g)
			mA	rpm	gf-cm	A	rpm	A	kgf-cm	
KD3657U1		12V	300	6000	200	1.5	5000	10	1.6	218
KD3657U2		24V	150	6000	200	0.9	5000	5	1.6	

AT MAXIMUM EFFICIENCY (KWC-□□□□-KD3657U□)

GEAR	MODEL	KD3657U1		KD3657U2	
		DC 12V		DC 24V	
		rpm	kgf-cm	rpm	kgf-cm
1/0025		200	1.1	200	1.1
1/0030		166	1.3	166	1.3
1/0050		100	2.2	100	2.2
1/0060		83	2.3	83	2.3
1/0075		66	2.9	66	2.9
1/0100		50	3.9	50	3.9
1/0125		40	4.9	40	4.9
1/0150		33	5.8	33	5.8
1/0200		25	6	25	6
1/0250		20	6	20	6
1/0300		16.6	6	16.6	6
1/0375		13.3	6	13.3	6
1/0500		10	6	10	6
1/0600		8.3	6	8.3	6
1/0750		6.6	6	6.6	6
1/0900		5.5	6	5.5	6
1/1050		4.7	6	4.7	6
1/1350		3.7	6	3.7	6
1/1500		3.3	6	3.3	6

* color gear ratios are CW rotation direction. [when supply (+)power to (+)terminal of motor]