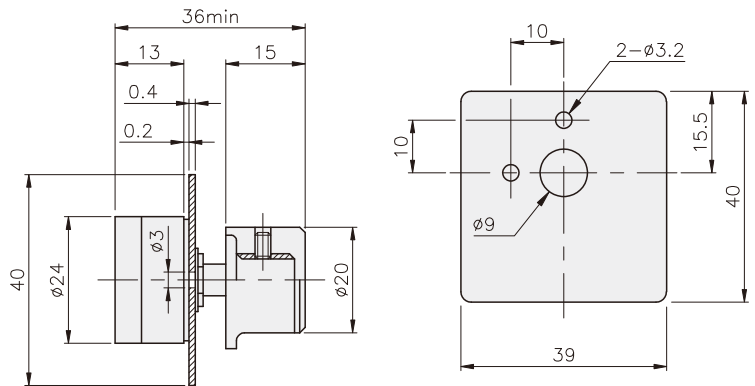


OPTION

EXTERNAL SPEED SETTER

DIMENSIONS

- There is 1 SET of external speed setter as an accessory in GSA SERIES SPEED CONTROL UNIT.
- Attached speed setter to the machine itself in GPA SERIES SPEED CONTROL UNIT that is available to control speed and setting. Purchase and use separately, if you need remote control.
- Also, in case of setting multi-step speed, purchase separately for use the required quantity (Optional)



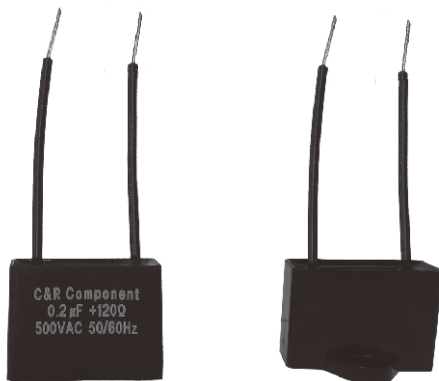
DIMENSION TABLE

MODEL Name	Feature
KVR20KH	20KΩ, 1/4W, B Feature

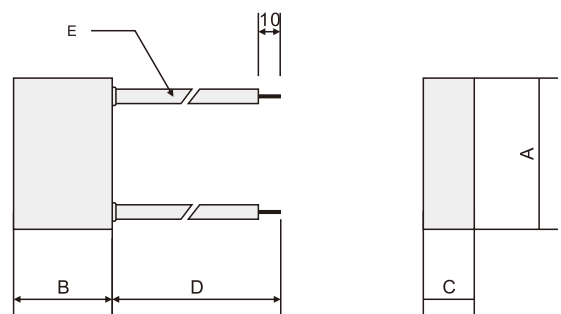
CR Circuit for absorbing surge voltage

DIMENSIONS

- Please use this for connecting point protection of Relay, Switch in running motor of normal, reverse direction rotation and sudden stop.
- Please connect this to protection point in a row.
- Sold separately.



DIMENSION [unit: mm]



DIMENSION TABLE

MODEL	Voltage	Resistance	Capacitor	Dimension (mm)				E (LEAD WIRE)
				A	B	C	D	
KSK1202	AC 500V	120Ω	0.2μF	36.0	25.0	16.0	200	UI1015 AWG #20