

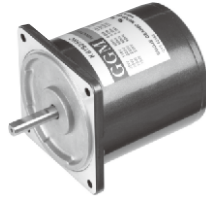
## INDUCTION MOTOR

**25W**

**□80mm**

LEAD WIRE TYPE  
TERMINAL BOX TYPE

K8IS25N□



K8IS25N□-T, T5



### SPECIFICATIONS

25W continuous rating, four poles

Model		Voltage (V)	Frequency (Hz)	Current (A)	Start T. (N·m/kgf·cm)	Rated T. (N·m/kgf·cm)	Speed (rpm)	Condenser (μF)		
single-phase	K8I□25NJ(-T, -T5)	100	50	0,59	0,11/1,1	0,195/1,95	1250	7		
			60	0,54		0,16/1,6	1550			
	K8I□25NU(-T, -T5)	110	60	50	0,48	0,09/0,9	0,165/1,65	1500	5	
				60	0,5					0,095/0,95
	K8I□25NL(-T, -T5)	200	50	50	0,26	0,115/1,15	0,195/1,95	1250	1,8	
				60	0,28		0,16/1,6	1550		
	K8I□25NC(-T, -T5)	220	50	50	0,28	0,11/1,1	0,195/1,95	1250	1,5	
				60	0,25		0,16/1,6	1550		
				230	50	0,29	0,12/1,2	0,195/1,95		1250
					60	0,26		0,16/1,6		1550
	K8I□25ND(-T, -T5)	240	50	0,3	0,11/1,1	0,195/1,95	1250	1,2		
	three-phase	K8I□25NT(-T, -T5)	200	50	0,27	0,5/5	0,19/1,9	1300	-	
60				0,24	0,4/4	0,16/1,6	1550			
K8I□25NH(-T, -T5)		220	50	50	0,28	0,6/6	0,185/1,85	1350	-	
				60	0,24	0,48/4,8	0,155/1,55	1600		
		230	50	0,29	0,65/6,5	0,185/1,85	1350			
			60	0,25	0,52/5,2	0,155/1,55	1600			
K8I□25NM(-T, -T5)		380	50	50	0,17	0,6/6	0,19/1,9	1300	-	
				60	0,14	0,48/4,8	0,155/1,55	1600		
K8I□25NV(-T, -T5)		400	50	50	0,17	0,73/7,3	0,19/1,9	1300	-	
				60	0,15	0,6/6	0,155/1,55	1600		
K8I□25NQ(-T, -T5)		415	50	50	0,13	0,55/5,5	0,19/1,9	1300	-	
				60	0,11	0,4/4	0,155/1,55	1600		
K8I□25NZ(-T, -T5)	440	50	50	0,14	0,63/6,3	0,19/1,9	1300	-		
			60	0,12	0,5/5	0,155/1,55	1600			

\* □ : SHAFT SHAPE (S : STRAIGHT, G : PINION)

\* 3 phase motor for over 380 voltage can't be used with inverter. Motor winding insulation can be damaged.

### RATED TORQUE OF GEARHEAD

#### ● 50Hz

unit = above : N·m / below : Kgf·cm

Model Motor/ Gearhead	Speed(rpm)	500	416	300	250	200	166	150	120	100	83	75	60	50	41	37	30	25	20	16	15	12,5	10	8,3	7,5	6
	Ratio	3	3,6	5	6	7,5	9	10	12,5	15	18	20	25	30	36	40	50	60	75	90	100	120	150	180	200	250
K8I□25N□(-T, -T5) K8G□B(C)	0,45	0,54	0,75	0,90	1,12	1,35	1,50	1,87	2,25	2,70	2,70	3,37	4,05	4,86	5,39	6,07	7,28	8	8	8	8	8	8	8	8	8
	4,5	5,4	7,5	9,0	11,2	13,5	15,0	18,7	22,5	27,0	27,0	33,7	40,5	48,6	53,9	60,7	72,8	80	80	80	80	80	80	80	80	80

#### ● 60Hz

unit = above : N·m / below : Kgf·cm

Model Motor/ Gearhead	Speed(rpm)	600	500	360	300	240	200	180	144	120	100	90	72	60	50	45	36	30	24	20	18	15	12	10	9	7,2
	Ratio	3	3,6	5	6	7,5	9	10	12,5	15	18	20	25	30	36	40	50	60	75	90	100	120	150	180	200	250
K8I□25N□(-T, -T5) K8G□B(C)	0,38	0,45	0,63	0,75	0,94	1,13	1,26	1,57	1,88	2,26	2,26	2,82	3,39	4,07	4,52	5,08	6,10	7,63	8	8	8	8	8	8	8	8
	3,8	4,5	6,3	7,5	9,4	11,3	12,6	15,7	18,8	22,6	22,6	28,2	33,9	40,7	45,2	50,8	61,0	76,3	80	80	80	80	80	80	80	80

\* Gearhead and decimal gearhead are sold separately.

\* The code in □ of gearhead model is for gear ratio.

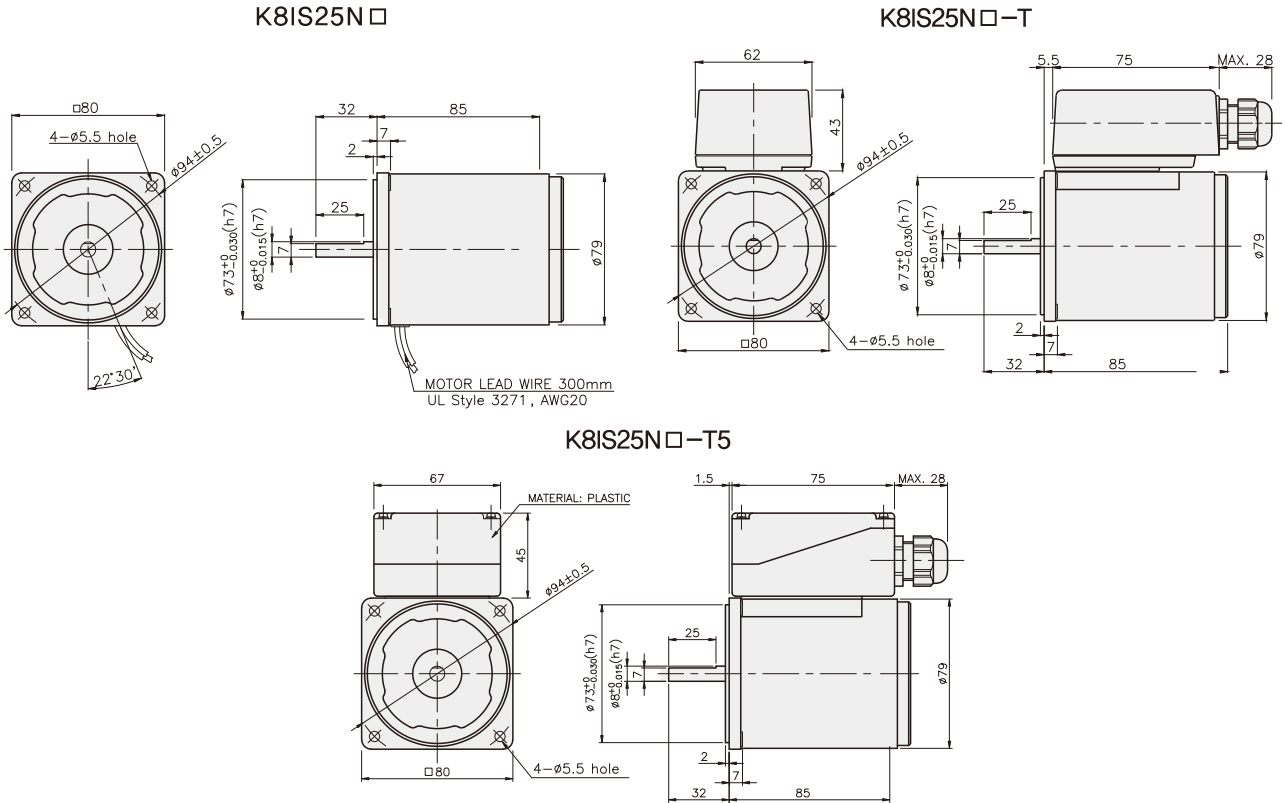
\*   color indicates that the output shaft of the geared motor rotates in the same direction as the output shaft of the motor. Others indicate rotation in the opposite direction.

\* If you are to have less ratio than the ratio in the table, you can install the decimal gearhead, which has one tenth of the ratio, between the gearhead and the motor. In this case, the permissible torque is 8N·m/80kgf·cm. But, if you install 1/25~1/40 gearhead, the permissible torque is 6N·m/60kgf·cm.

\* RPM is based on motor's synchronous rpm (50HZ:1500rpm, 60HZ:1800rpm) and calculated by dividing gear ratio. Actual rpm is 2~20% less than indicating rpm according to load size.

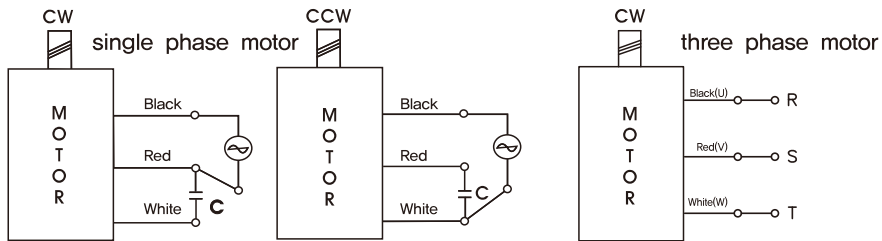
## GEARHEAD

### DIMENSIONS



### CONNECTION DIAGRAMS

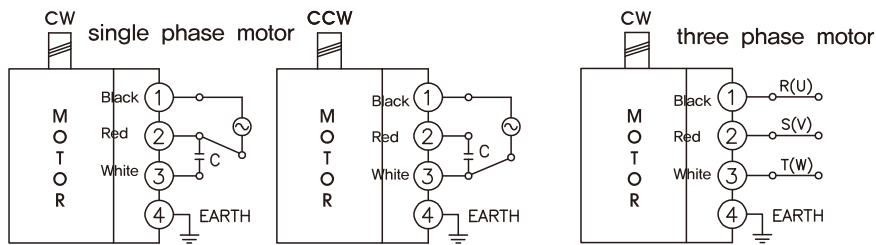
**K8IS25N□**



The direction of motor rotation is as viewed from the front shaft end of the motor

connecting two leadwires of U,V,W in turns

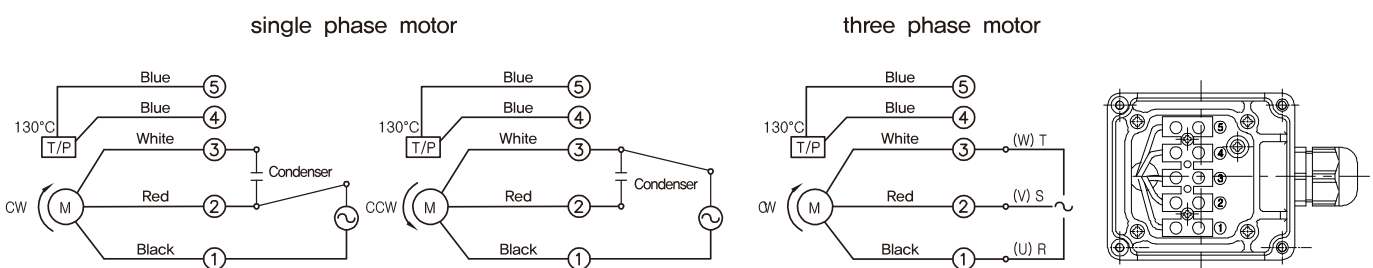
**K8IS25N□-T**



The direction of motor rotation is as viewed from the front shaft end of the motor

connecting two leadwires of U,V,W in turns

**K8IS25N□-T5**



The direction of motor rotation is as viewed from the front shaft end of the motor

connecting two leadwires of U,V,W in turns

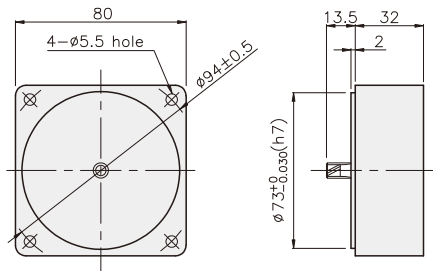
**GEARHEAD**

**DIMENSIONS**

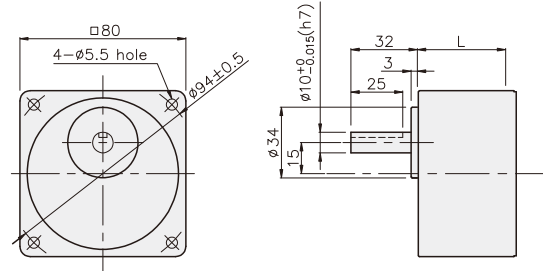
K8G□B(C)



DECIMAL GEARHEAD  
K8G10BX



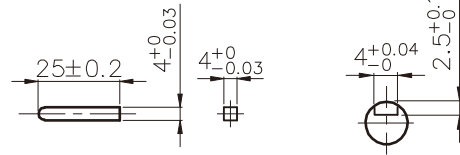
GEARHEAD  
K8G□B(C)



**KEY SPEC**

• KEY

• KEY GROOVE



## GEARHEAD

### DIMENSIONS

K8IG25N□ + K8G□B(C)

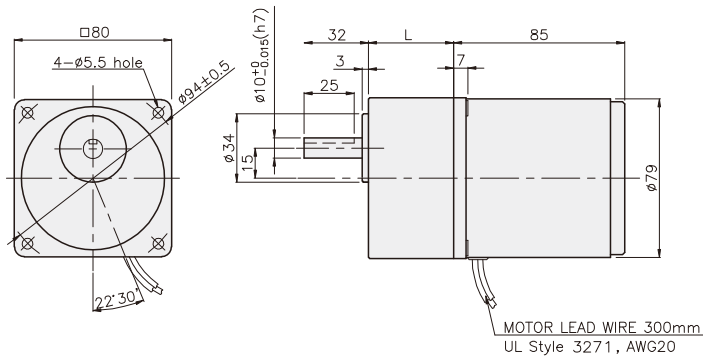


K8IG25N□-T(-T5) + K8G□B(C)



INDUCTION MOTOR

K8IG25N□ + K8G□B(C)



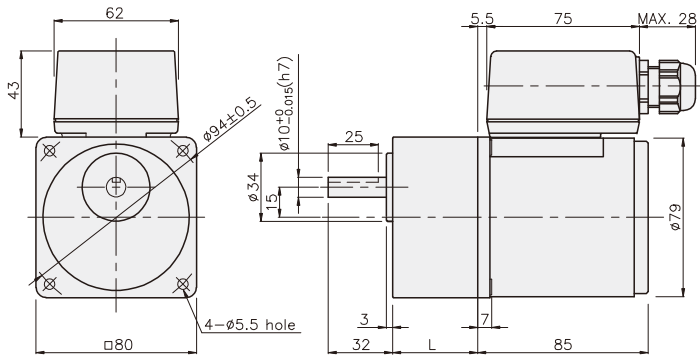
DIMENSION TABLE

PART No	L	Application Model	Mounting BOLT
01	32	K8G3~18B(C)	M5 P0,8 X 50
02	42,5	K8G20~250B(C)	M5 P0,8 X 65
03	32	K8G10BX	M5 P0,8 X 95

WEIGHT

PART	WEIGHT(kg)	
MOTOR	1,58	
DECIMAL GEARHEAD	0,46	
GEAR HEAD	K8G3~18B(C)	0,51
	K8G20~40B(C)	0,64
	K8G50~250B(C)	0,70

K8IG25N□-T + K8G□B(C)



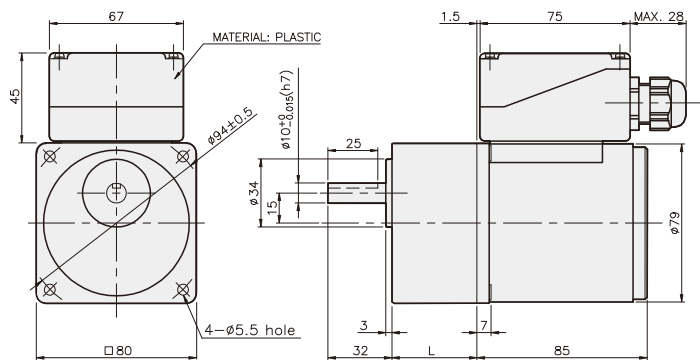
DIMENSION TABLE

PART No	L	Application Model	Mounting BOLT
01	32	K8G3~18B(C)	M5 P0,8 X 50
02	42,5	K8G20~250B(C)	M5 P0,8 X 65
03	32	K8G10BX	M5 P0,8 X 95

WEIGHT

PART	WEIGHT(kg)	
MOTOR	1,76	
DECIMAL GEARHEAD	0,46	
GEAR HEAD	K8G3~18B(C)	0,51
	K8G20~40B(C)	0,64
	K8G50~250B(C)	0,70

K8IG25N□-T5 + K8G□B(C)



DIMENSION TABLE

PART No	L	Application Model	Mounting BOLT
01	32	K8G3~18B(C)	M5 P0,8 X 50
02	42,5	K8G20~250B(C)	M5 P0,8 X 65
03	32	K8G10BX	M5 P0,8 X 95

WEIGHT

PART	WEIGHT(kg)	
MOTOR	1,76	
DECIMAL GEARHEAD	0,46	
GEAR HEAD	K8G3~18B(C)	0,51
	K8G20~40B(C)	0,64
	K8G50~250B(C)	0,70