

## INDUCTION MOTOR

**40W**

**□80mm**

**LEAD WIRE TYPE**

K8I□40F□



### SPECIFICATIONS

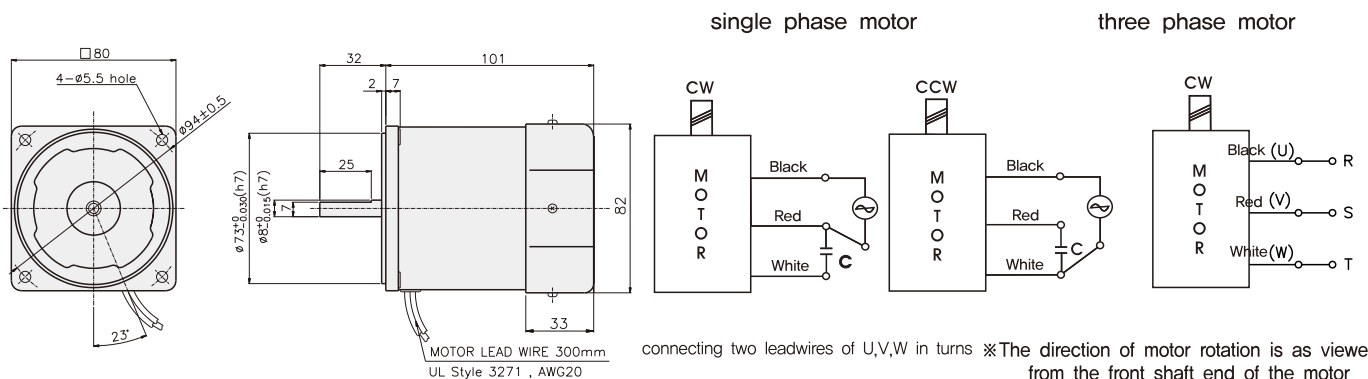
40W continuous rating, four poles

Model		Out Put (W)	Voltage (V)	Frequency (Hz)	Current (A)	Start T. (N*m/Kgf*cm)	Rated T. (N*m/Kgf*cm)	Speed (rpm)	Condenser (μF)				
K8I□40FC	single-phase	40	220	50	0.45	0.23	0.315	1250	2.5				
				60	0.43	2.30	3.15						
			230	50	0.50	0.23	0.255	1550					
				60	0.45	2.30	2.55						
			K8I□40FH	three-phase	40	220	50	0.48		0.97	0.294	1300	-
							60	0.35		9.70	2.90		
230	50	0.50				0.71	0.245	1600					
	60	0.37				7.10	2.45						
380	50	0.26				1.01	0.300	1300					
	60	0.20				10.1	3.00						
K8I□40FM			50	0.26	0.74	0.245	1600						
			60	0.20	7.40	2.45	1300						
					0.76	0.300	1600						
					7.60	3.00	1300						
					0.66	0.245	1600						
					6.60	2.45	1300						

\* □ : SHAFT SHAPE (S : STRAIGHT, G : PINION)

\* 3 phase motor for over 380 voltage can't be used with inverter. Motor winding insulation can be damaged.

### DIMENSIONS & CONNECTION DIAGRAMS



## GEARHEAD

### DIMENSIONS

K8G□B(C)

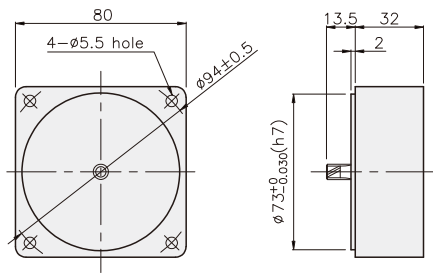


K8IG40F□ + K8G□B(C)



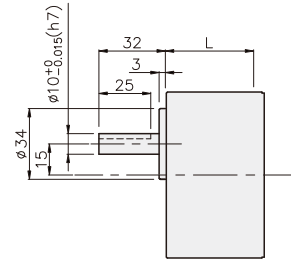
DECIMAL GEARHEAD

K8G10BX



GEARHEAD

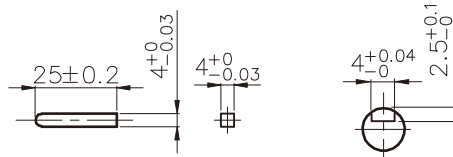
K8G□B(C)



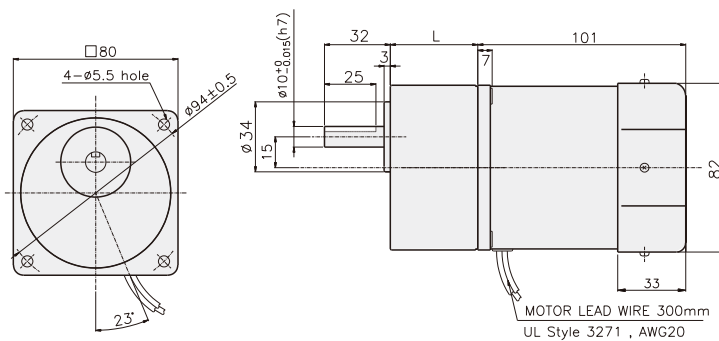
### KEY SPEC

● KEY

● KEY GROOVE



K8IP40F□ + K8G□B(C)



DIMENSION TABLE

PART No	L	Application Model	Mounting BOLT
01	32	K8G3~18B(C,M)	M5 P0.8 X 50
02	42.5	K8G20~250B(C,M)	M5 P0.8 X 65

WEIGHT

PART	WEIGHT(kg)	
MOTOR	1.70	
DECIMAL GEARHEAD	0.46	
GEAR HEAD	K8G3~18B(C)	0.51
	K8G20~40B(C)	0.64
	K8G50~250B(C)	0.70