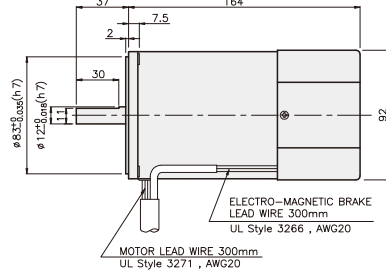
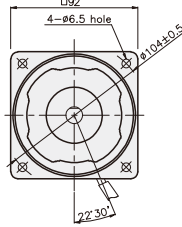


BRAKE MOTOR

60W □90mm

K9□P60F□-B



SPECIFICATIONS

60W single-phase : 30 minutes rating, three-phase : continuous rating, four poles

Model	Duty	Voltage (V)	Frequency (Hz)	Current (A)	Start T. (N*m/ Kgf*cm)	Rated T. (N*m/ Kgf*cm)	Speed (rpm)	Condenser (µF)	Friction T. (N*m/ (Kgf*cm)	
K9R□60FJ-B	single-phase	100	50	1.48	0.48/4.8	0.47/4.7	1250	25	1/10	
			60	1.66		0.38/3.8	1550			
K9R□60FU-B		110	60	50	1.25	0.4/4	0.38/3.8	1550	17	1/10
				60	1.31	0.425/4.25				
K9R□60FL-B		200	50	50	0.72	0.5/5	0.47/4.7	1250	6	1/10
				60	0.76	0.44/4.4	0.39/3.9	1500		
K9R□60FC-B		220	50	50	0.69	0.45/4.5	0.47/4.7	1250	5	1/10
				60	0.76	0.48/4.8	0.38/3.8	1550		
K9R□60FD-B		230	50	50	0.77	0.5/5	0.47/4.7	1250	5	1/10
				60	0.79		0.38/3.8	1550		
K9I□60FT-B	240	50	50	0.75	0.5/5	0.47/4.7	1250	5	1/10	
			60	0.49	1.35/13.5	0.45/4.5	1300			
K9I□60FH-B	200	50	50	0.45	1.05/10.5	0.38/3.8	1550	-	1/10	
			60	0.47	1.2/12	0.37/3.7	1600			
K9I□60FM-B	220	50	50	0.55	1.6/16	0.435/4.35	1350	-	1/10	
			60	0.47	1.2/12	0.37/3.7	1600			
K9I□60FV-B	230	50	50	0.6	1.65/16.5	0.435/4.35	1350	-	1/10	
			60	0.52	1.3/13	0.37/3.7	1600			
K9I□60FQ-B	380	50	50	0.34	1.55/15.5	0.435/4.35	1350	-	1/10	
			60	0.25	1.19/11.9	0.37/3.7	1600			
K9I□60FZ-B	400	50	50	0.37	1.85/18.5	0.435/4.35	1350	-	1/10	
			60	0.28	1.42/14.2	0.37/3.7	1600			
K9I□60FQ-B	415	50	50	0.26	1.45/14.5	0.45/4.5	1300	-	1/10	
			60	0.21	1.15/11.5	0.37/3.7	1600			
K9I□60FZ-B	440	50	50	0.28	1.6/16	0.45/4.5	1300	-	1/10	
			60	0.23	1.25/12.5	0.37/3.7	1600			

* □ : SHAFT SHAPE (S : STRAIGHT, P : PINION) * FH-B which are in end of the model name is UL certified ones. UL FILE NO. E204632

* 3 phase motor for over 380 voltage can't be used with inverter. Motor winding insulation can be damaged.

RATED TORQUE OF GEARHEAD

● 50Hz

unit = above : N·m / below : Kgf·cm

Model Motor/ Gearhead	Speed(rpm) Ratio	500	416	300	250	200	166	150	120	100	83	75	60	50	41	37	30	25	20	16	15	12,5	10	8,3	7,5
		K9□60F□-B K9P□B, BF		1,06	1,27	1,76	2,11	2,64	3,17	3,52	3,96	4,76	5,71	6,34	7,14	8,56	10,27	11,42	14,27	17,12	20	20	20	20	20

● 60Hz

unit = above : N·m / below : Kgf·cm

Model Motor/ Gearhead	Speed(rpm) Ratio	600	500	360	300	240	200	180	144	120	100	90	72	60	50	45	36	30	24	20	18	15	12	10	9
		K9□60F□-B K9P□B, BF		0,90	1,08	1,50	1,80	2,25	2,70	3,00	3,37	4,05	4,86	5,39	6,07	7,28	8,74	9,71	12,14	14,57	16,39	19,66	20	20	20

* Gearhead and decimal gearhead are sold separately. * The code in □ of gearhead model is for gear ratio.

* ■ color indicates that the output shaft of the geared motor rotates in the same direction as the output shaft of the motor. Others indicate rotation in the opposite direction.

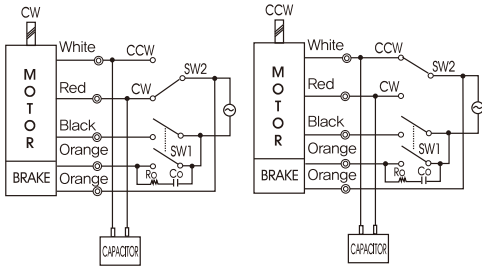
* If you are to have less ratio than the ratio in the table, you can install the decimal gearhead, which has one tenth of the ratio, between the gearhead and the motor. In this case, the permissible torque is 20N·m/200kgf·cm.

* RPM is based on motor's synchronous rpm (50HZ:1500rpm, 60HZ:1800rpm) and calculated by dividing gear ratio. Actual rpm is 2~20% less than indicating rpm according to load size.

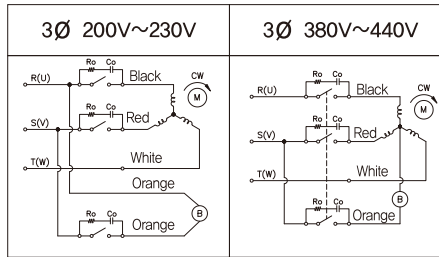
GEARHEADS

CONNECTION DIAGRAMS

single phase motor



three phase motor



connecting two leadwires of U,V,W in turns

※The direction of motor rotation is as viewed from the front shaft end of the motor

Connect Cr circuit for absorbing surge voltage as connection diagram to protect contact point.
 $R_o = 5 - 200\Omega$
 $C_o = 0.1 \sim 0.2\mu F$ 200WV(400WV)

DIMENSIONS

K9P□B

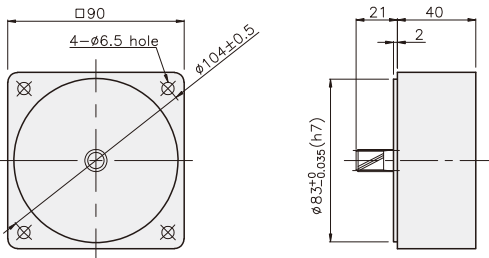


K9P□BF



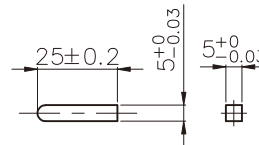
DECIMAL GEARHEAD

K9P10BX

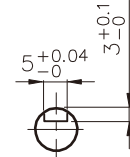


KEY SPEC

● KEY

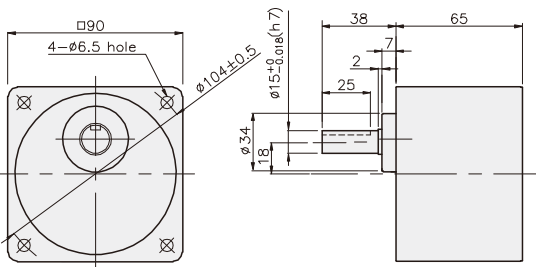


● KEY GROOVE

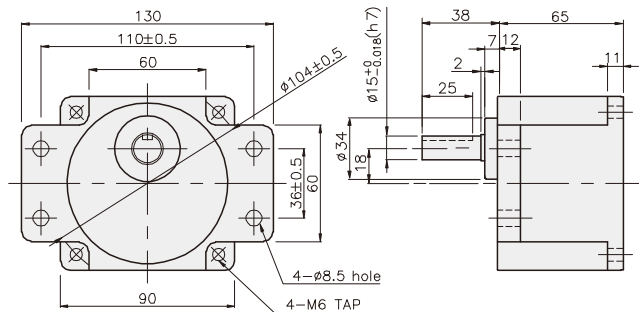


GEARHEAD

K9P□B



K9P□BF



GEARHEADS

DIMENSIONS

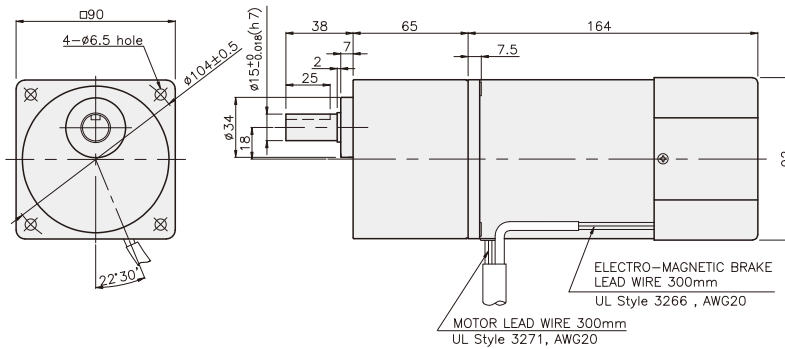
K9□P60F□-B + K9P□B



K9□P60F□-B + K9P□BF



K9□P60F□-B + K9P□B



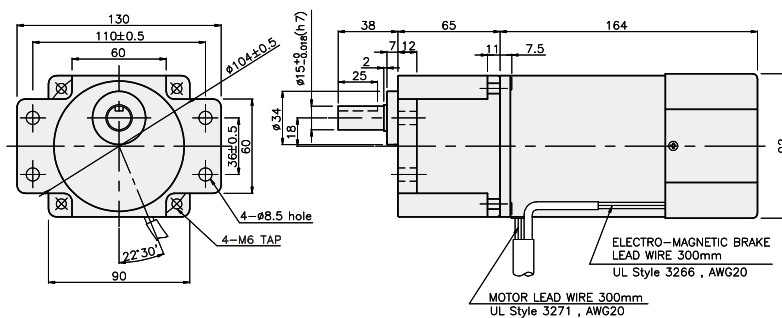
DIMENSION TABLE

PART No	L	Application Model	Mounting BOLT
01	65	K9P3~200B	M6 P1,0 X 25
02	40	K9P10BX	M6 P1,0 X 140

WEIGHT

PART	WEIGHT(kg)	
MOTOR	3,08	
DECIMAL GEAR HEAD	0,62	
GEAR HEAD	K9P3~10B	1,22
	K9P12,5~20B	1,32
	K9P25~60B	1,42
	K9P75~200B	1,45

K9□P60F□-B + K9P□BF



DIMENSION TABLE

PART No	L	Application Model	Mounting BOLT
01	65	K9P3~200BF	M6 P1,0 X 25
02	40	K9P10BX	M6 P1,0 X 65

WEIGHT

PART	WEIGHT(kg)	
MOTOR	3,08	
DECIMAL GEAR HEAD	0,62	
GEAR HEAD	K9P3~10BF	1,22
	K9P12,5~20BF	1,30
	K9P25~60BF	1,42
	K9P75~200BF	1,44