

## OPEN TYPE MOTOR

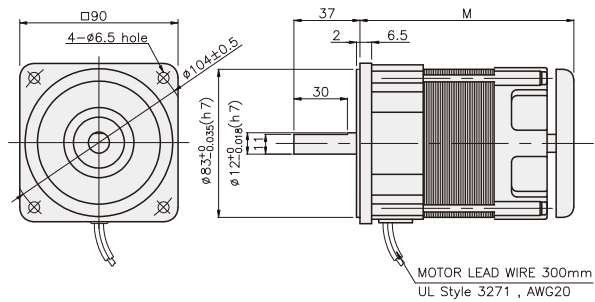
60W  
~200W

□90mm

LEAD WIRE TYPE

### DIMENSIONS

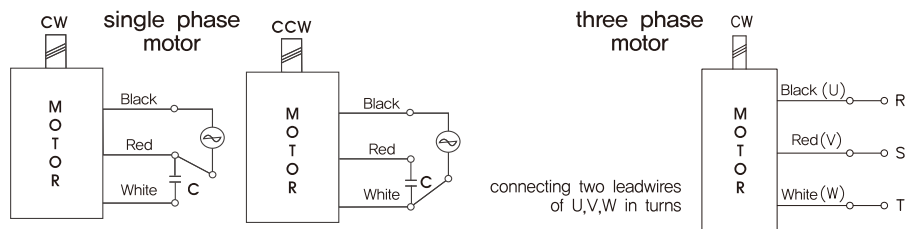
K9I□60B□~K9I□200B□



### CONNECTION DIAGRAMS

#### DIMENSION TABLE

M	MOTOR
120	K9I□60B□
135	K9I□90B□, K9I□120B□ (60Hz)~K9I□150B□ (60Hz)
165	K9I□120B□ (50Hz)~K9I□150B□ (50Hz) K9I□180B□~K9I□200B□



※ The direction of motor rotation is as viewed from the front shaft end of the motor

### SPECIFICATIONS

60W

Model		Voltage (V)	Frequency (Hz)	Current (A)	Start T. (N-m/kgf-cm)	Rated T. (N-m/kgf-cm)	Speed (rpm)	Condenser (μF)
K9I□60BJ	single-phase	100	50	1,36	0,38/3,8	0,47/4,7	1250	20
			60	1,37		0,38/3,8		
K9I□60BU	single-phase	110	60	1,21	0,37/3,7	0,38/3,8	1550	16
				1,27				
K9I□60BL	single-phase	200	50	0,67	0,4/4	0,47/4,7	1250	5
			60	0,69		0,38/3,8		
K9I□60BC	single-phase	220	50	0,58	0,38/3,8	0,47/4,7	1250	4
			60	0,57		0,38/3,8		
			230	50	0,63	0,47/4,7	1250	
				60		0,38/3,8	1550	
K9I□60BD	single-phase	240	50	0,69	0,44/4,4	0,47/4,7	1250	4
K9I□60BT	single-phase	200	50	0,49	1,35/13,5	0,45/4,5	1300	-
			60	0,45	1,05/10,5	0,38/3,8	1550	
K9I□60BH	single-phase	220	50	0,55	1,6/16	0,435/4,35	1350	-
			60	0,47	1,2/12	0,37/3,7	1600	
		230	50	0,6	1,65/16,5	0,435/4,35	1350	
			60	0,52	1,3/13	0,37/3,7	1600	
K9I□60BM	three-phase	380	50	0,34	1,55/15,5	0,435/4,35	1350	-
			60	0,25	1,19/11,9	0,37/3,7	1600	
K9I□60BV	three-phase	400	50	0,37	1,85/18,5	0,435/4,35	1350	-
			60	0,28	1,42/14,2	0,37/3,7	1600	
K9I□60BQ	three-phase	415	50	0,26	1,45/14,5	0,45/4,5	1300	-
			60	0,21	1,15/11,5	0,37/3,7	1600	
K9I□60BZ	three-phase	440	50	0,28	1,6/16	0,45/4,5	1300	-
			60	0,23	1,25/12,5	0,37/3,7	1600	

Motor spec is same as induction motor's, Applied gear head is K6G□B(C) Series.

Identify rated torque of gearhead in induction motor in order to find out the torque value of gearhead per gear ratios.

\* □ : SHAFT SHAPE (S : STRAIGHT, G : PINION)

## OPEN TYPE MOTOR

### SPECIFICATIONS

#### 90W

Model		Voltage (V)	Frequency (Hz)	Current (A)	Start T. (N·m/kgf·cm)	Rated T. (N·m/kgf·cm)	Speed (rpm)	Condenser (μF)
K9I□90BJ	single-phase	100	50	2,07	0,55/5,5	0,675/6,75	1300	30
			60	1,97		0,55/5,5	1600	
K9I□90BU		110	60	1,47	0,44/4,4	0,55/5,5	1600	20
				1,52				
K9I□90BL		200	50	0,75	0,5/5	0,675/6,75	1300	7
				0,97		0,57/5,7	1550	
K9I□90BC		220	50	0,8	0,45/4,5	0,675/6,75	1300	6
				0,9	0,5/5	0,57/5,7	1550	
			230	0,87	0,55/5,5	0,675/6,75	1300	
				0,93		0,57/5,7	1550	
K9I□90BD	240	50	0,85	0,5/5	0,675/6,75	1300	5	
K9I□90BT	200	50	0,79	2,25/22,5	0,65/6,5	1350	-	
			0,72	1,75/17,5	0,55/5,5	1600		
K9I□90BH	220	50	0,72	2,35/23,5	0,65/6,5	1350	-	
			0,63	1,8/18	0,55/5,5	1600		
	230	0,86	2,45/24,5	0,65/6,5	1350			
		0,66	1,95/19,5	0,55/5,5	1600			
K9I□90BM	380	50	0,43	2,35/23,5	0,65/6,5	1350	-	
			0,37	1,7/17	0,55/5,5	1600		
K9I□90BV	400	50	0,52	2,65/26,5	0,65/6,5	1350	-	
			0,45	2,1/21	0,55/5,5	1600		
K9I□90BQ	415	50	0,39	2/20	0,68/6,8	1300	-	
			0,31	1,5/15	0,55/5,5	1600		
K9I□90BZ	440	50	0,45	2,1/21	0,68/6,8	1300	-	
			0,39	1,7/17	0,55/5,5	1600		

#### 120W

Model		Voltage (V)	Frequency (Hz)	Current (A)	Start T. (N·m/kgf·cm)	Rated T. (N·m/kgf·cm)	Speed (rpm)	Condenser (μF)
K9I□120BJ	single-phase	100	50	2,2	0,6/6	0,9/9	1300	35
			60		0,65/6,5	0,735/7,35	1600	
K9I□120BU		110	60	2,13	0,65/6,6	0,735/7,35	1600	30
				2,3	0,7/7			
K9I□120BL		200	50	1,07	0,65/6,5	0,9/9	1300	8,5
				1,22	0,6/6	0,755/7,55	1550	8
K9I□120BC		220	50	0,82	0,55/5,5	0,9/9	1300	6
				0,85	0,6/6			
		230	60	1	0,6/6	0,735/7,35	1600	7
				1,1	0,65/6,5			
K9I□120BD	240	50	0,9	0,6/6	0,9/9	1300	6	

Motor spec is same as induction motor's, Applied gear head is K6G□B(C) Series,

Identify rated torque of gearhead in induction motor in order to find out the torque value of gearhead per gear ratios,

\* □ : SHAFT SHAPE (S : STRAIGHT, G : PINION)

## OPEN TYPE MOTOR

### SPECIFICATIONS

150W

Model		Voltage (V)	Frequency (Hz)	Current (A)	Start T. (N·m/kgf·cm)	Rated T. (N·m/kgf·cm)	Speed (rpm)	Condenser (μF)
K9I□150BT		200	50	1,2	3,5/35	1,13/11,3	1300	—
			60	0,95	2,65/26,5	0,915/9,15	1600	
K9I□150BH		220	50	0,99	2,95/29,5	1,13/11,3	1300	—
				1,1	3/30			
		230	60	0,97	2,5/25	0,915/9,15	1600	
				1,02	2,7/27			
K9I□150BM	three-phase	380	50	0,57	3/30	1,13/11,3	1300	—
			60		2,25/22,5	0,915/9,15	1600	
K9I□150BV		400	50	0,6	3,5/35	1,13/11,3	1300	—
			60		2,5/25	0,915/9,15	1600	
K9I□150BQ		415	50	0,57	3,15/31,5	1,13/11,3	1300	—
			60	0,42	2,35/23,5	0,915/9,15	1600	
K9I□150BZ		440	50	0,53	3,3/33	1,085/10,85	1350	—
			60	0,44	2,6/26	0,915/9,15	1600	

Motor spec is same as induction motor's, Applied gear head is K6G□B(C) Series.

Identify rated torque of gearhead in induction motor in order to find out the torque value of gearhead per gear ratios.

\* □ : SHAFT SHAPE (S : STRAIGHT, G : PINION)