

REVERSIBLE MOTOR

180W

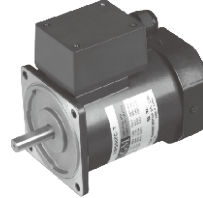
□ 90mm

LEAD WIRE TYPE
TERMINAL BOX TYPE

K9RS180F□



K9RS180F□-T, T5



SPECIFICATIONS

180W 30 minutes rating, four poles

Model	Out Put (W)	Voltage (V)	Frequency (Hz)	Current (A)	Start T. (N·m/kgf·cm)	Rated T. (N·m/kgf·cm)	Speed (rpm)	Condenser (μF)
K9R□180FJ(-T, -T5)	180	100	50	3.1	0.7/7	1.35/13.5	1300	40
			60	2.95	0.75/7.5	1.1/11	1600	
K9R□180FU(-T, -T5)	180	110	60	2.9	0.85/8.5	1.1/11	1600	40
		115		3.1				
K9R□180FL(-T, -T5)	180	200	50	1.47	0.65/6.5	1.35/13.5	1300	12
			60	1.43	0.55/5.5	1.1/11	1600	
K9R□180FC(-T, -T5)	180	220	50	1.58	0.65/6.5	1.35/13.5	1300	8
			60	1.38	0.6/6	1.1/11	1600	
		230	50	1.7	0.7/7	1.35/13.5	1300	
			60	1.54	0.65/6.5	1.1/11	1600	

* □ : SHAFT SHAPE (S : STRAIGHT, G : PINION)

RATED TORQUE OF GEARHEAD

● 50Hz

unit = above : N·m / below : Kgf·cm

Model Motor/ Gearhead	Speed(rpm)	Ratio																							
		3	3,6	5	6	7,5	9	10	12,5	15	18	20	25	30	36	40	50	60	75	90	100	120	150	180	200
K9R□180F□(-T, -T5) K9P□B, BF	500	3,28	3,94	5,47	6,56	8,20	9,84	10,94	12,30	14,76	17,71	19,68	22,14	26,57	30	30	30	30	30	30	30	30	30	30	30
	300	32,8	39,4	54,7	65,6	82,0	98,4	109,4	123,0	147,6	177,1	196,8	221,4	265,7	300	300	300	300	300	300	300	300	300	300	300

● 60Hz

unit = above : N·m / below : Kgf·cm

Model Motor/ Gearhead	Speed(rpm)	Ratio																							
		3	3,6	5	6	7,5	9	10	12,5	15	18	20	25	30	36	40	50	60	75	90	100	120	150	180	200
K9R□180F□(-T, -T5) K9P□BU, BUF	600	2,67	3,21	4,46	5,35	6,68	8,02	8,91	10,02	12,03	14,43	16,04	18,04	21,65	25,98	28,87	30	30	30	30	30	30	30	30	30
	360	26,7	32,1	44,6	53,5	66,8	80,2	89,1	100,2	120,3	144,3	160,4	180,4	216,5	259,8	288,7	300	300	300	300	300	300	300	300	300

* Gearhead and decimal gearhead are sold separately.

* The code in □ of gearhead model is for gear ratio.

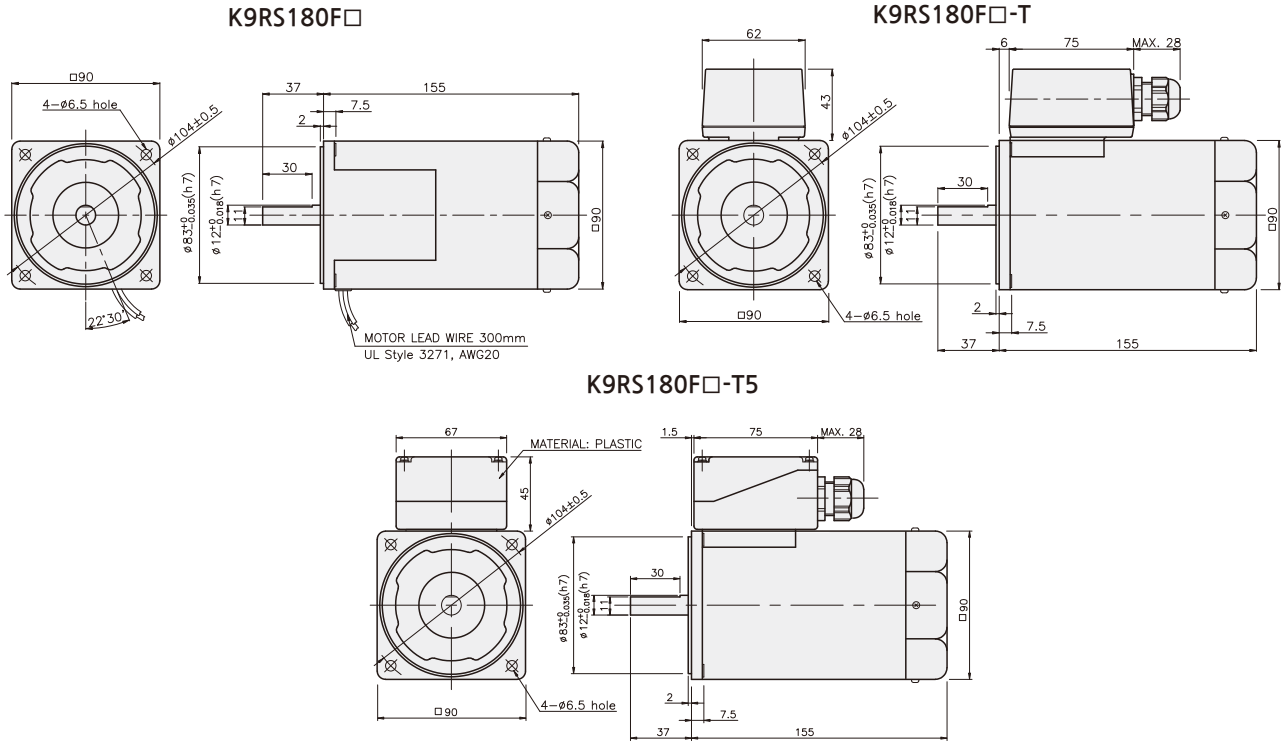
* ■ color indicates that the output shaft of the geared motor rotates in the same direction as the output shaft of the motor. Others indicate rotation in the opposite direction.

* If you are to have less ratio than the ratio in the table, you can install the decimal gearhead, which has one tenth of the ratio, between the gearhead and the motor. In this case, the permissible torque is 20N·m/200kgf·cm.

* RPM is based on motor's synchronous rpm (50HZ:1500rpm, 60HZ:1800rpm) and calculated by dividing gear ratio. Actual rpm is 2~20% less than indicating rpm according to load size.

GEARHEAD

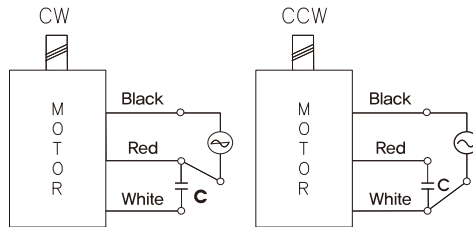
DIMENSIONS



REVERSIBLE MOTOR

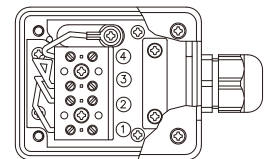
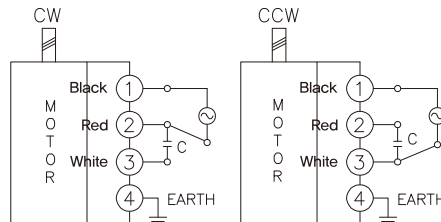
CONNECTION DIAGRAMS

K9RS180F□



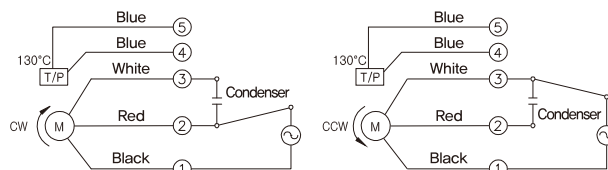
※ The direction of motor rotation is as viewed from the front shaft end of the motor

K9RS180F□-T

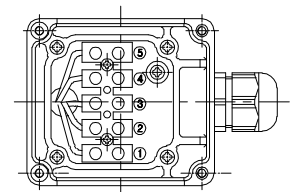


※ The direction of motor rotation is as viewed from the front shaft end of the motor

K9RS180F□-T5



※ The direction of motor rotation is as viewed from the front shaft end of the motor

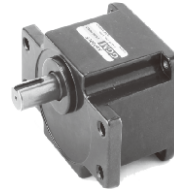
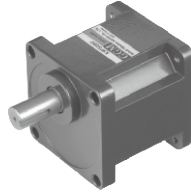


GEARHEAD

DIMENSIONS

K9P□BU

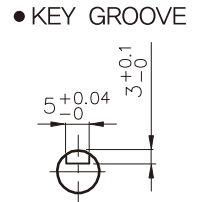
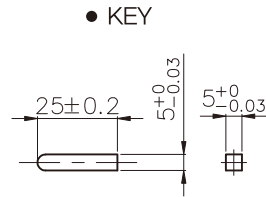
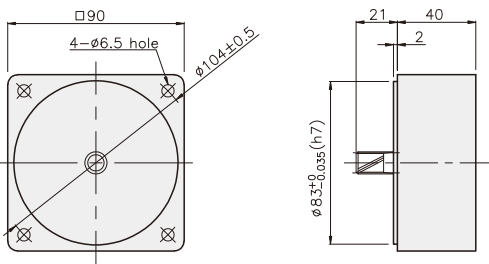
K9P□BUF



DECIMAL GEARHEAD

K9P10BX

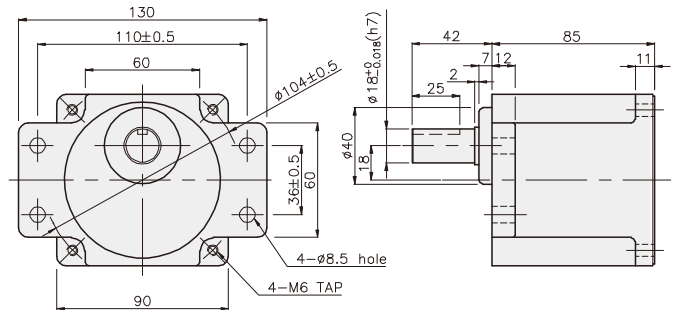
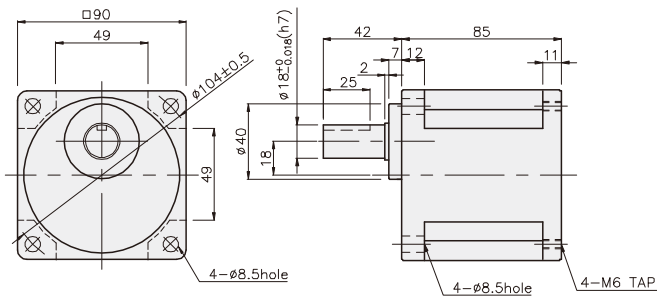
KEY SPEC



GEARHEAD

K9P□BU

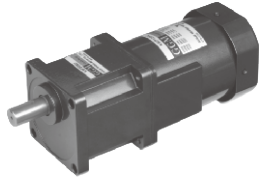
K9P□BUF



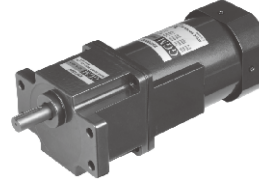
GEARHEAD

DIMENSIONS

K9RP180F□ + K9P□BU



K9RP180F□ + K9P□BUF



WEIGHT

PART	WEIGHT(kg)
MOTOR	3,72
DECIMAL GEARHEAD	0,62

DIMENSION TABLE

PART No	Application Model	Mounting BOLT
01	K9P3~200BU	M6 P1,0 X 20
02	K9P10BX	M6 P1,0 X 65

WEIGHT

PART	WEIGHT(kg)
K9P3~10BU	1,44
K9P12,5~20BU	1,55
K9P25~60BU	1,69
K9P75~200BU	1,74

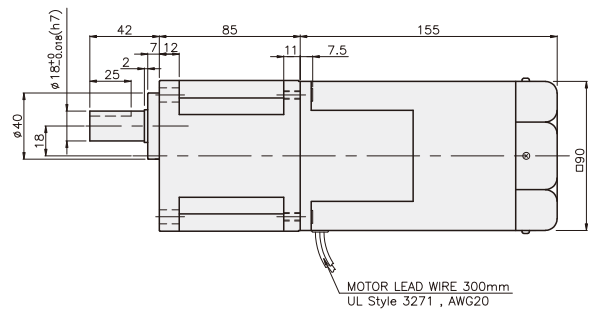
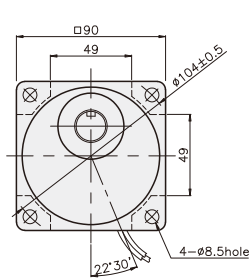
DIMENSION TABLE

PART No	Application Model	Mounting BOLT
01	K9P3~200BUF	M6 P1,0 X 20
02	K9P10BX	M6 P1,0 X 65

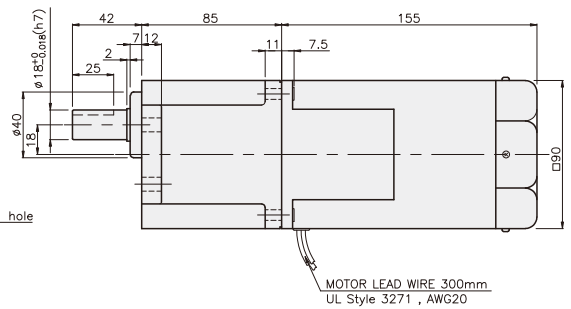
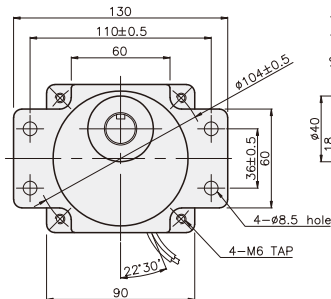
WEIGHT

PART	WEIGHT(kg)
K9P3~10BUF	1,50
K9P12,5~20BUF	1,62
K9P25~60BUF	1,76
K9P75~200BUF	1,82

K9RP180F□ + K9P□BU



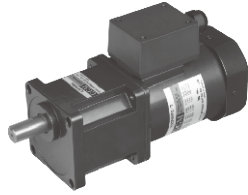
K9RP180F□ + K9P□BUF



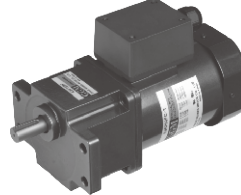
GEARHEAD

DIMENSIONS

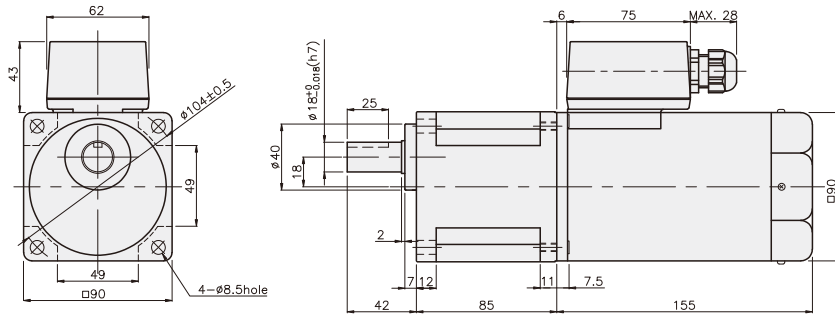
K9RP180F□ - T + K9P□BU



K9RP180F□ - T + K9P□BUF



K9RP180F□ - T + K9P□BU



WEIGHT

PART	WEIGHT(kg)
MOTOR	3,90
DECIMAL GEARHEAD	0,62

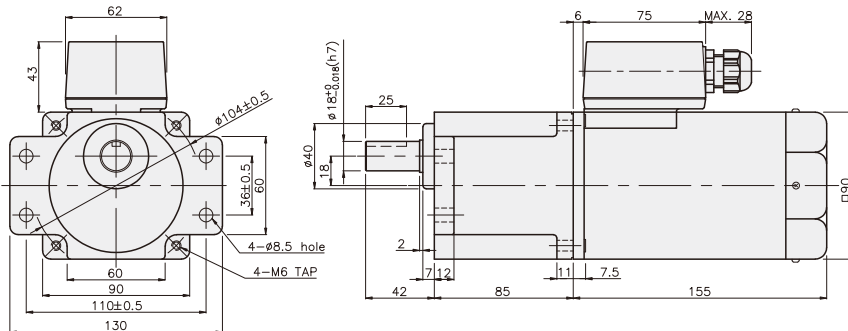
DIMENSION TABLE

PART No	Application Model	Mounting BOLT
01	K9P3~200BU	M6 P1,0 X 20
02	K9P10BX	M6 P1,0 X 65

WEIGHT

PART	WEIGHT(kg)
K9P3~10BU	1,44
K9P12,5~20BU	1,55
K9P25~60BU	1,69
K9P75~200BU	1,74

K9RP180F□ - T + K9P□BUF



DIMENSION TABLE

PART No	Application Model	Mounting BOLT
01	K9P3~200BUF	M6 P1,0 X 20
02	K9P10BX	M6 P1,0 X 65

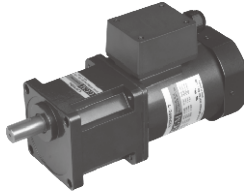
WEIGHT

PART	WEIGHT(kg)
K9P3~10BUF	1,50
K9P12,5~20BUF	1,62
K9P25~60BUF	1,76
K9P75~200BUF	1,82

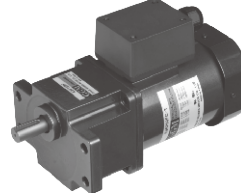
GEARHEAD

DIMENSIONS

K9RP180F□ - T5 + K9P□BU



K9RP180F□ - T5 + K9P□BUF



WEIGHT

PART	WEIGHT(kg)
MOTOR	3,90
DECIMAL GEARHEAD	0,62

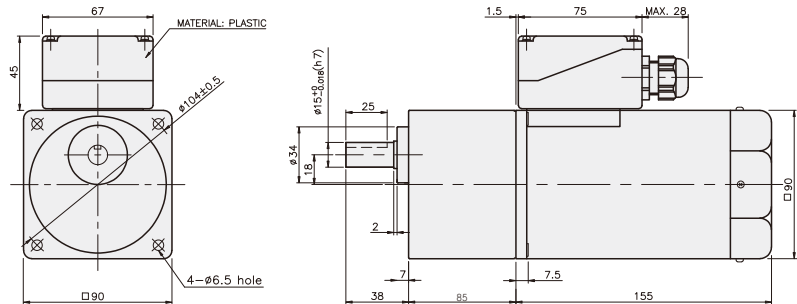
DIMENSION TABLE

PART No.	Application Model	Mounting BOLT
01	K9P3~200BU	M6 P1,0 X 20
02	K9P10BX	M6 P1,0 X 65

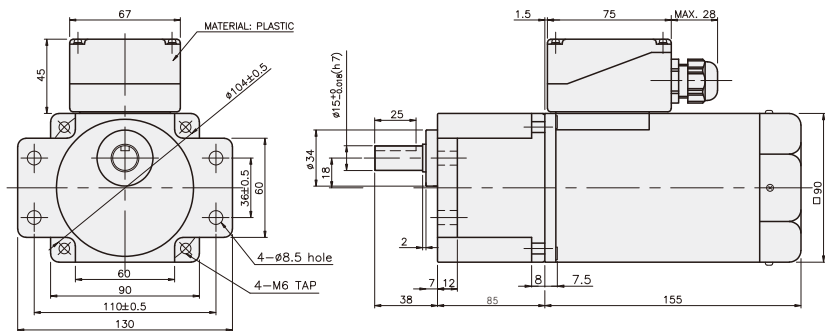
WEIGHT

PART	WEIGHT(kg)
K9P3~10BU	1,44
K9P12,5~20BU	1,55
K9P25~60BU	1,69
K9P75~200BU	1,74

K9RP180F□ - T5 + K9P□BU



K9RP180F□ - T5 + K9P□BUF



DIMENSION TABLE

PART No.	Application Model	Mounting BOLT
01	K9P3~200BUF	M6 P1,0 X 20
02	K9P10BX	M6 P1,0 X 65

WEIGHT

PART	WEIGHT(kg)
K9P3~10BUF	1,50
K9P12,5~20BUF	1,62
K9P25~60BUF	1,76
K9P75~200BUF	1,82