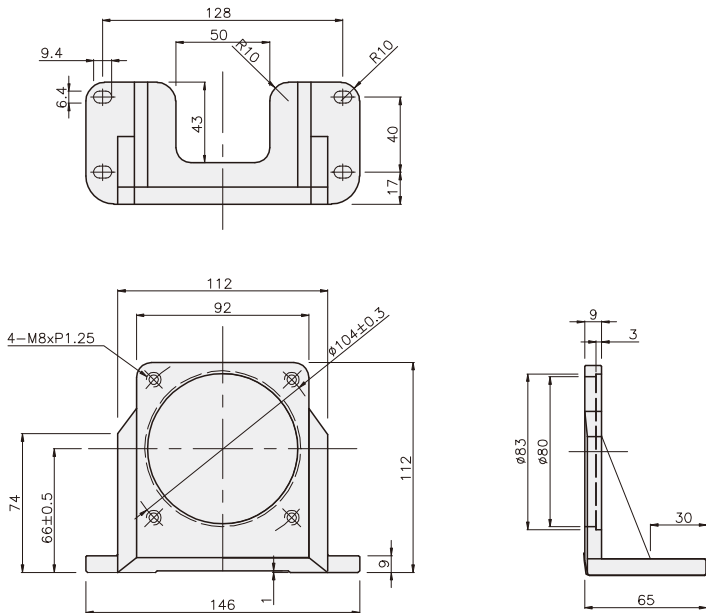


**OPTION**

**MOUNTING BRACKET FOR MOTOR GEARHEAD**

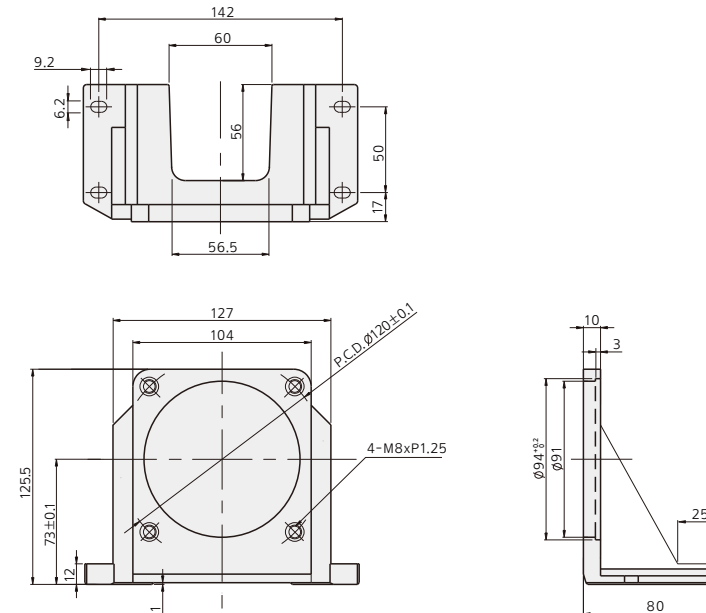
**DIMENSIONS**

K9B-M8(□90mm)



applied product
MOTOR : K9□S□F□ GEARHEAD : K9P□BU
characteristics
Weight 270g, Materials AL

K10B-M8(□104mm)



applied product
MOTOR : K10□S□F(N)□ GEARHEAD : K10H□B, BU
characteristics
Weight 390g, Materials AL