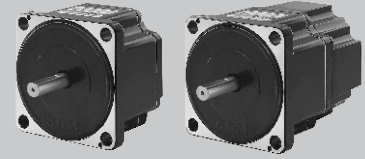


BRUSHLESS DC MOTOR UNIT - B Series

750W

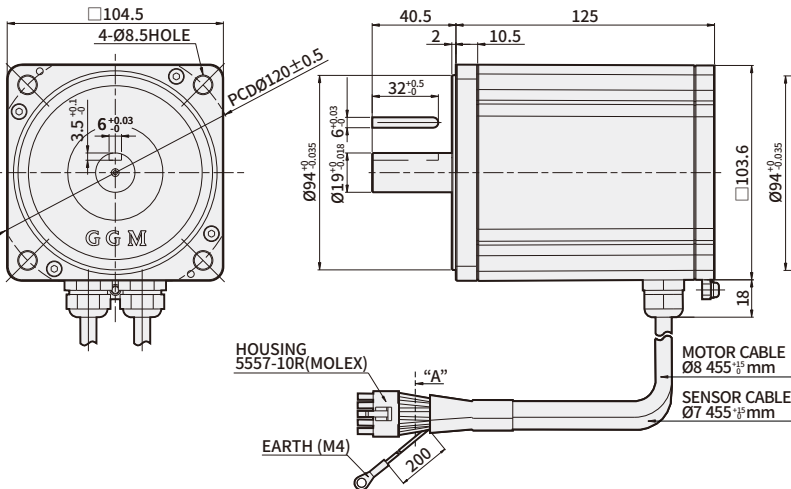
□104mm
AC voltage input



DIMENSIONS

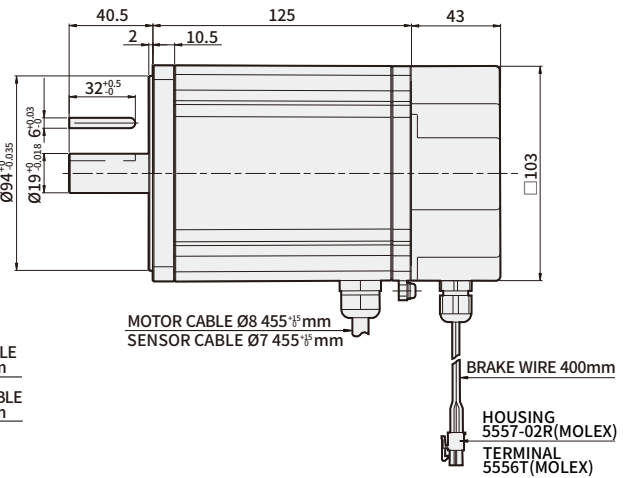
K10BK750NC

Weight : 4.7Kg



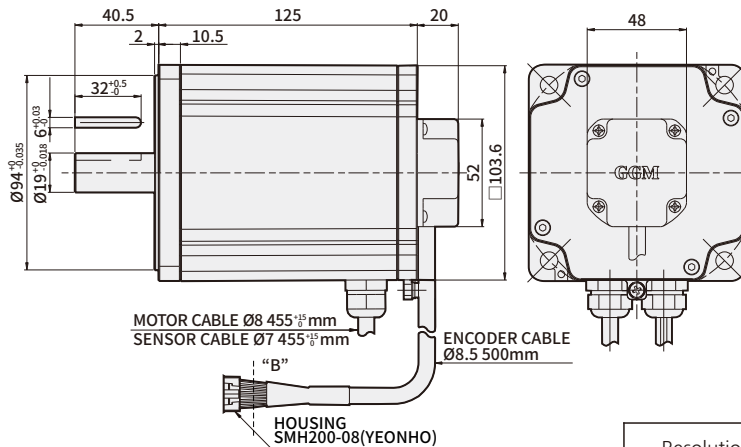
K10BK750NC-B (Brake type)

Weight : 5.3Kg



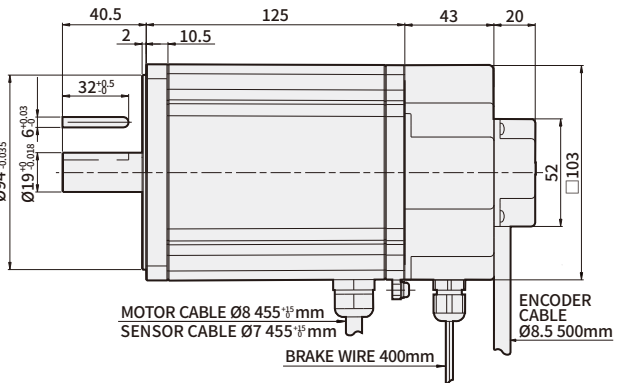
K10BK750NC-E (Encoder type)

Weight : 4.8Kg

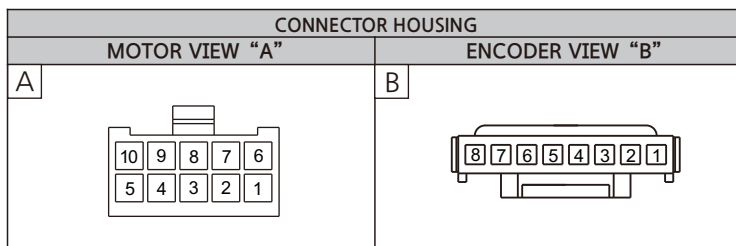


K10BK750NC-BE (Brake Encoder type)

Weight : 5.4Kg



Resolution	1,000PPR		Timing diagram CW A B Z
Output Type	Output Form Line Driver	Power Supply +5Vdc ±10% 150mA below	



ENCODER PIN MAP		
PIN No.	COLOR	SIGNAL
1	BLUE	Vcc(5Vdc)
2	BROWN	A
3	WHITE	/A
4	ORANGE	B
5	YELLOW	/B
6	GREEN	Z
7	PURPLE	/Z
8	GRAY	Ground

MOTOR PIN MAP		
PIN No.	COLOR	SIGNAL
1	BLUE	U
2	-	
3	GREEN	Ground
4	YELLOW	Vcc
5	ORANGE	Hw
6	PURPLE	V
7	GRAY	W
8	BLACK	DRAIN
9	BROWN	Hu
10	WHITE	Hv

→ B-Series Specification

Product name	GEAR TYPE	K6BH30NU	K6BH30NC	K6BH60NU	K6BH60NC	K6BH90NU	K6BH90NC		
	D-CUT TYPE	K6BS30NU	K6BS30NC	K6BS60NU	K6BS60NC	K6BS90NU	K6BS90NC		
Rating output (continuous)	W	30		60		90			
Power input	Voltage(single-phase)	V	100~115	200~230	100~115	200~230	100~115	200~230	
	Frequency	Hz	50 / 60						
	Rating input current	A	1.0	0.6	1.5	1.0	2.5	1.5	
	Maximum input current	A	2.5	2.0	3.5	3.0	5.0	4	
Rated output current	A	0.45	0.35	0.65	0.45	1.4	0.5		
Rating torque	N·m	0.1		0.2		0.3			
Starting torque	N·m	0.15		0.3		0.5			
Rating rotation speed	r/min	3,000							
Speed control range	r/min	100 ~ 3,000							

Product name	GEAR TYPE	K9BH150NC	K10BH200NC	K10BH400NC	-	
	D-CUT TYPE	K9BS150NC	K10BS200NC	K10BS400NC	-	
	KEY TYPE	K9BK150NC	K10BK200NC	K10BK400NC	K10BK750NC (IEC)	
Rating output (continuous)	W	150	200	400	750	
Power input	Voltage(single-phase)	V	200~230			
	Frequency	Hz	50 / 60			
	Rating input current	A	1.8	2.7	4.5	7
	Maximum input current	A	5	5.5	8	10
Rated output current	A	1.0	1.7	2.5	5	
Rating torque	N·m	0.49	0.65	1.3	2.4	
Starting torque	N·m	0.6	1.15	1.8	3	
Rating rotation speed	r/min	3,000				
Speed control range	r/min	100 ~ 3,000				

※ -B (BRAKE), -E (ENCODER) or -BE (BRAKE+ENCODER) can be added to end of the motor model name.
 ※ IEC Type is same as K10BK750NC specification.

→ F-Series Specification

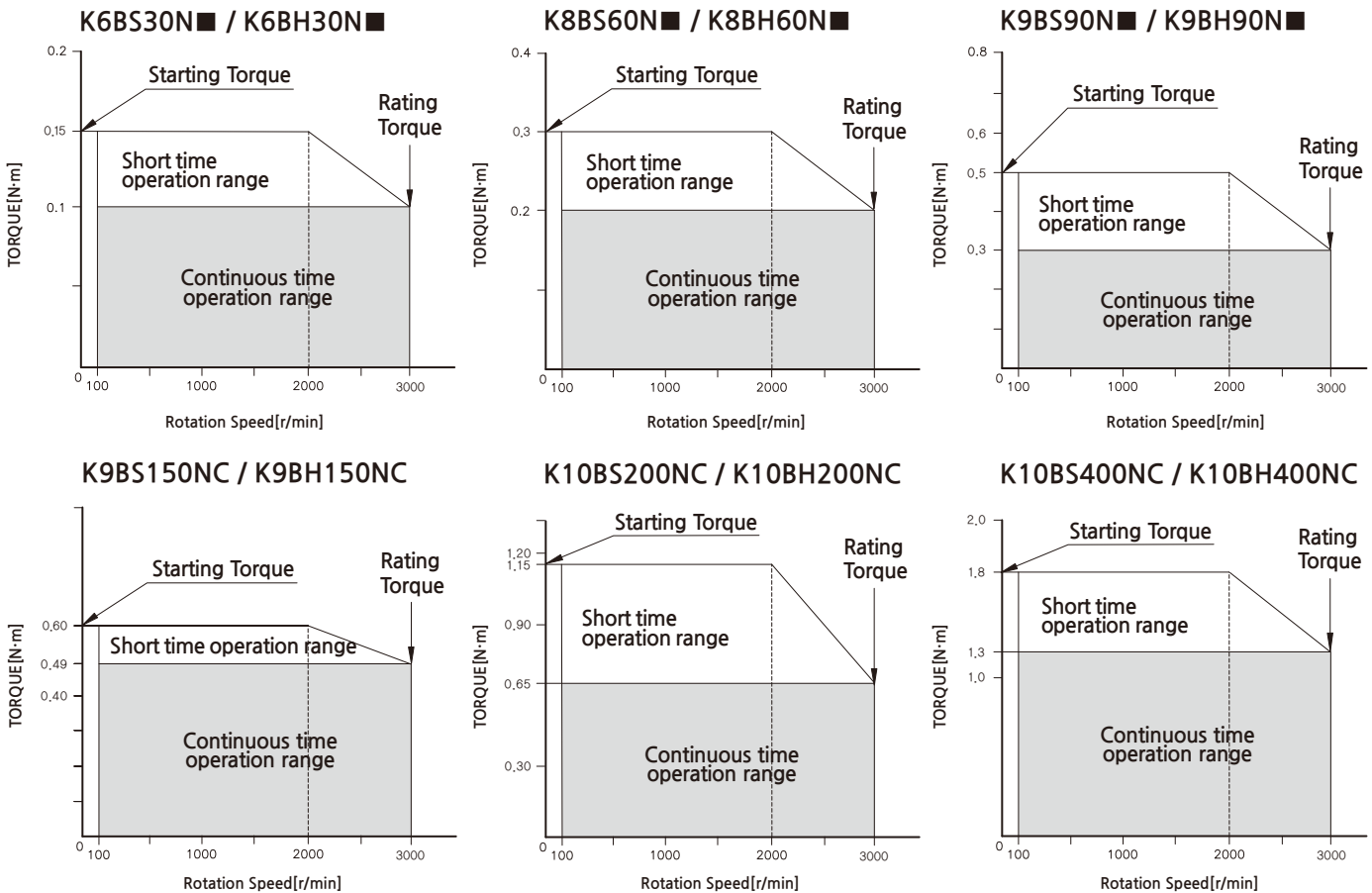
Product name	GEAR TYPE	K6FH30NC	K8FH60NC	K9FH150NC	K10FH200NC	K10FH400NC	
	D-CUT TYPE	K6FS30NC	K8FS60NC	K9FS150NC	K10FS200NC	K10FS400NC	
Rating output (continuous)	W	30	60	150	200	400	
Power input	Voltage(single-phase)	V	single-phase 200~240V / three-phase 200~240V (Allowable range ±10%)				
	Frequency	Hz	50 / 60				
	Rating input current	A	single-phase : 0.8	single-phase : 1.0	single-phase : 2.0	single-phase : 2.5	single-phase : 4.0
			three-phase : 0.5	three-phase : 0.7	three-phase : 1.2	three-phase : 1.8	three-phase : 3.0
Maximum input current	A	single-phase : 1.9	single-phase : 2.8	single-phase : 4.5	single-phase : 5.5	single-phase : 7.8	
		three-phase : 1.1	three-phase : 1.7	three-phase : 2.6	three-phase : 3.2	three-phase : 5.0	
Rated output current	A	0.17	0.43	0.95	1.60	2.30	
Rating torque	N·m	0.1	0.2	0.49	0.65	1.30	
Starting torque	N·m	0.15	0.3	0.60	1.15	1.80	
Rating rotation speed	r/min	3,000					
Speed control range	r/min	100 ~ 4,000					

※ -B (BRAKE), -E (ENCODER) or -BE (BRAKE+ENCODER) can be added to end of the motor model name.

→ Common Specification

Items		Motor	Control unit
Insulation Resistance		After continuously operating at room temperature and humidity, it should be greater than 100MΩ between coil and case when measured with DC 500V MEGA TESTER	Protection ground terminal and power input should be greater than 100MΩ when measured with DC 500V MEGA TESTER
Dielectric Strength		After continuously operating at room temperature and humidity, there shouldn't be any problem if 60Hz, 1500V is applied for more than 1 minute between coil and case	There shouldn't be any problem if 60Hz, 1500V is applied for more than 1 minute between protection ground terminal and power input
Temperature rise		After operating continuously at room temperature and humidity, the temperature increase should be less than 60°C and less than 50°C of temperature increase on the case surface when measured with thermo couple	
Used environment	Used Ambient temperature / Humidity	0°C~+50°C (There should not be any freeze) / less than 85% (no dew condensation)	
	Ambient environment	No corrosive gas or dusts	
Conservation environment	Ambient temperature / Humidity	-25 ~ +70°C (There should not be any freeze) / less than 85% (no dew)	
Insulation class		UL, CSA Standard A Type(105°C), EN Standard E Type(120°C)	
Protection class		IP65(Except for the mounting part on the output part)	IP10
Motor insulation class		E TYPE(120°C)	

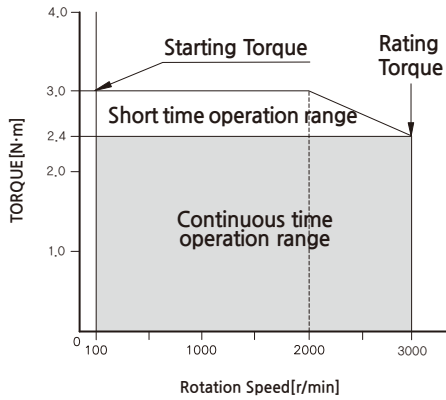
→ Rotation speed - torque characteristic (B Series)



※ -B (BRAKE), -E (ENCODER) or -BE (BRAKE+ENCODER) can be added to end of the motor model name.
 ※ In ■ of the model name voltage U (single-phase 100~115V), C (single-phase 200~230V) will be shown.

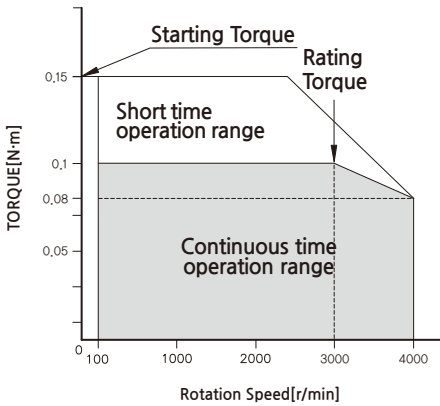
→ Rotation speed - torque characteristic (B Series)

K10BK750NC (IEC)

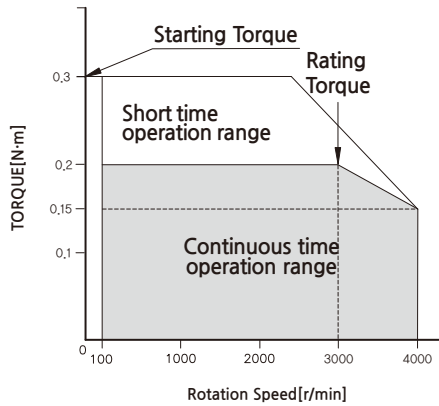


→ Rotation speed - torque characteristic (F Series)

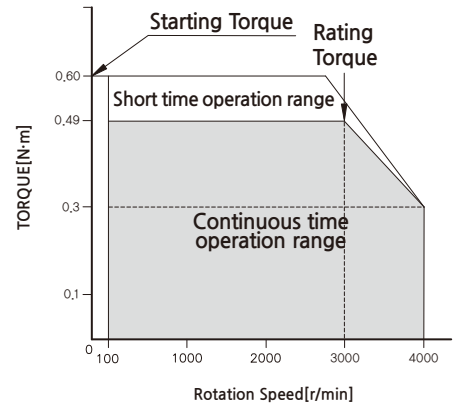
K6FS30NC / K6FH30NC



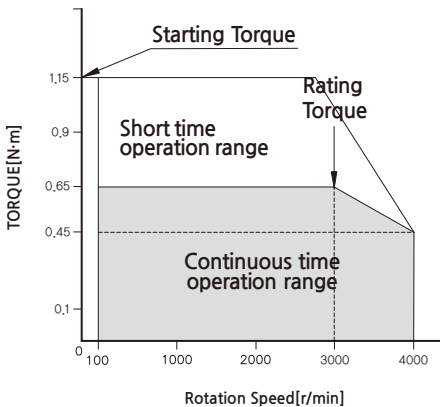
K8FS60NC / K8FH60NC



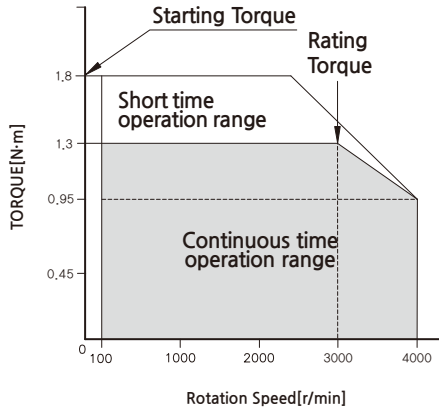
K9FS150NC / K9FH150NC



K10FS200NC / K10FH200NC



K10FS400NC / K10FH400NC



※ -B (BRAKE), -E (ENCODER) or -BE (BRAKE+ENCODER) can be added to end of the motor model name.