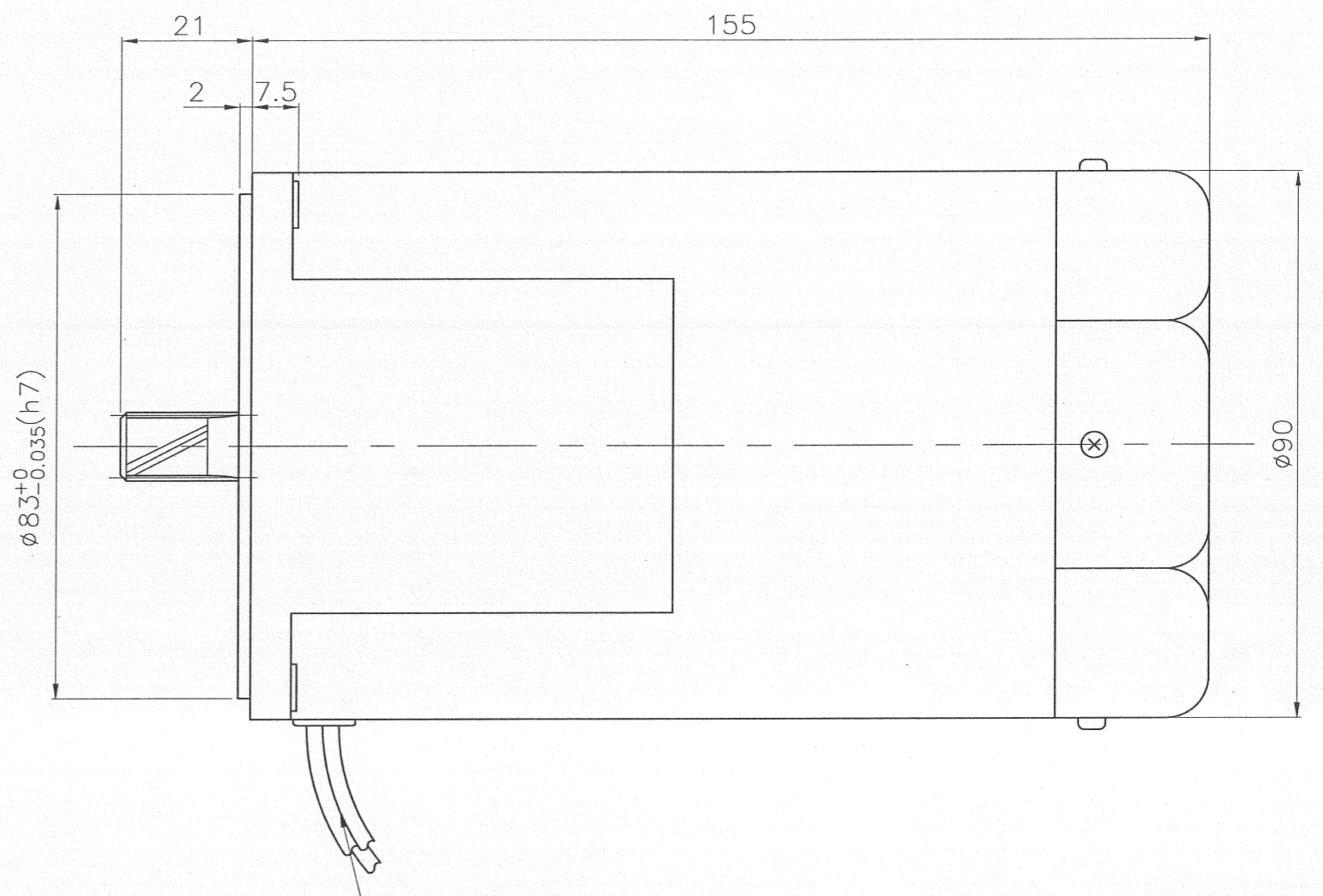
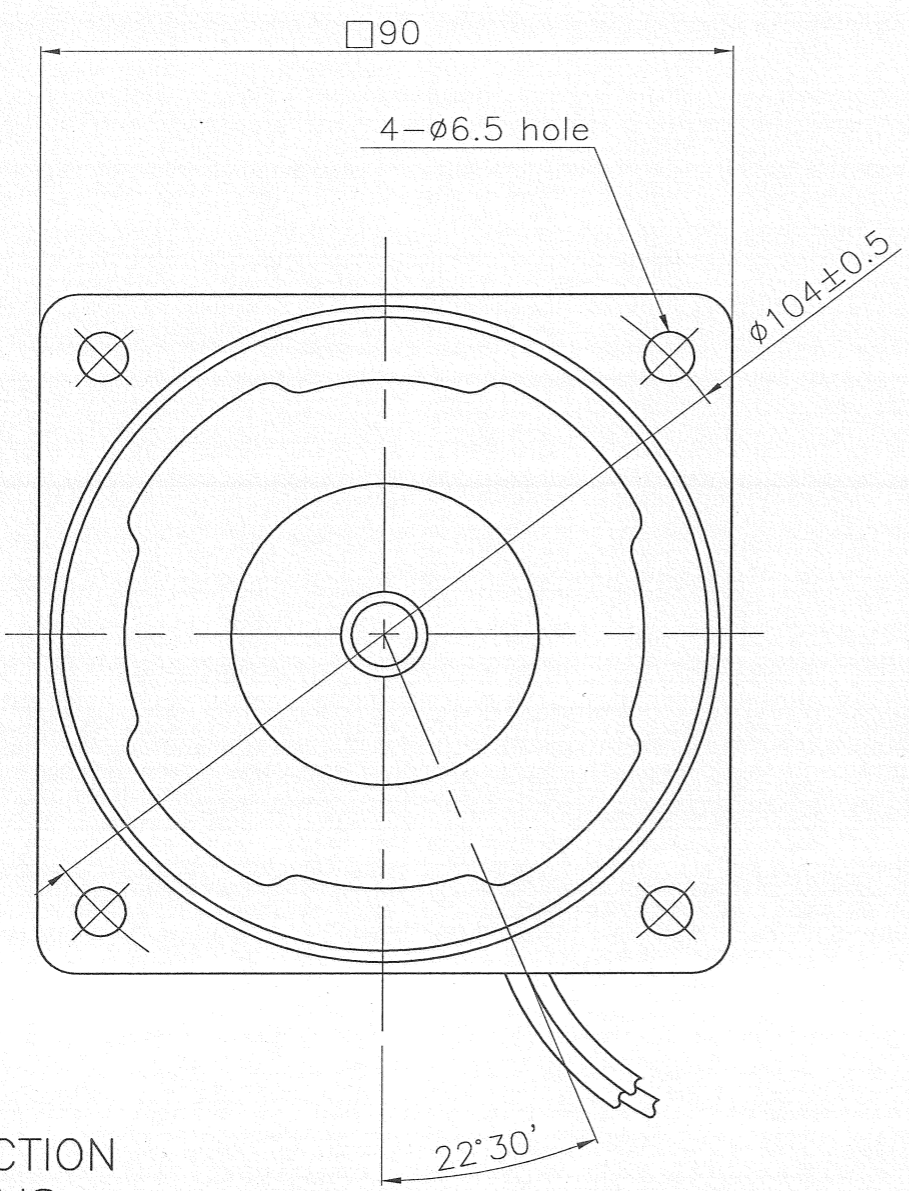


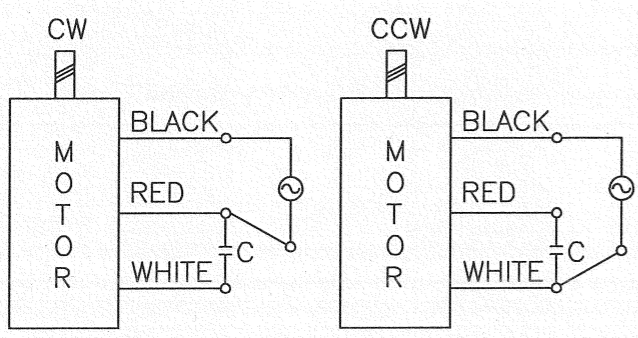
No.	REMARK	REVISION No.	SIGN



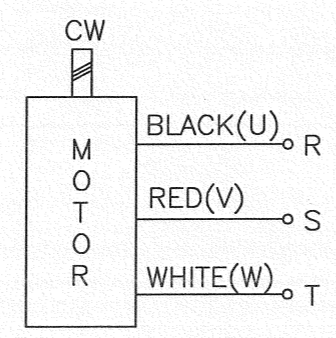
MOTOR LEAD WIRE 300mm
UL Style 3271 , AWG20

■ CONNECTION DIAGRAMS

SINGLE-PHASE MOTOR



THREE-PHASE MOTOR

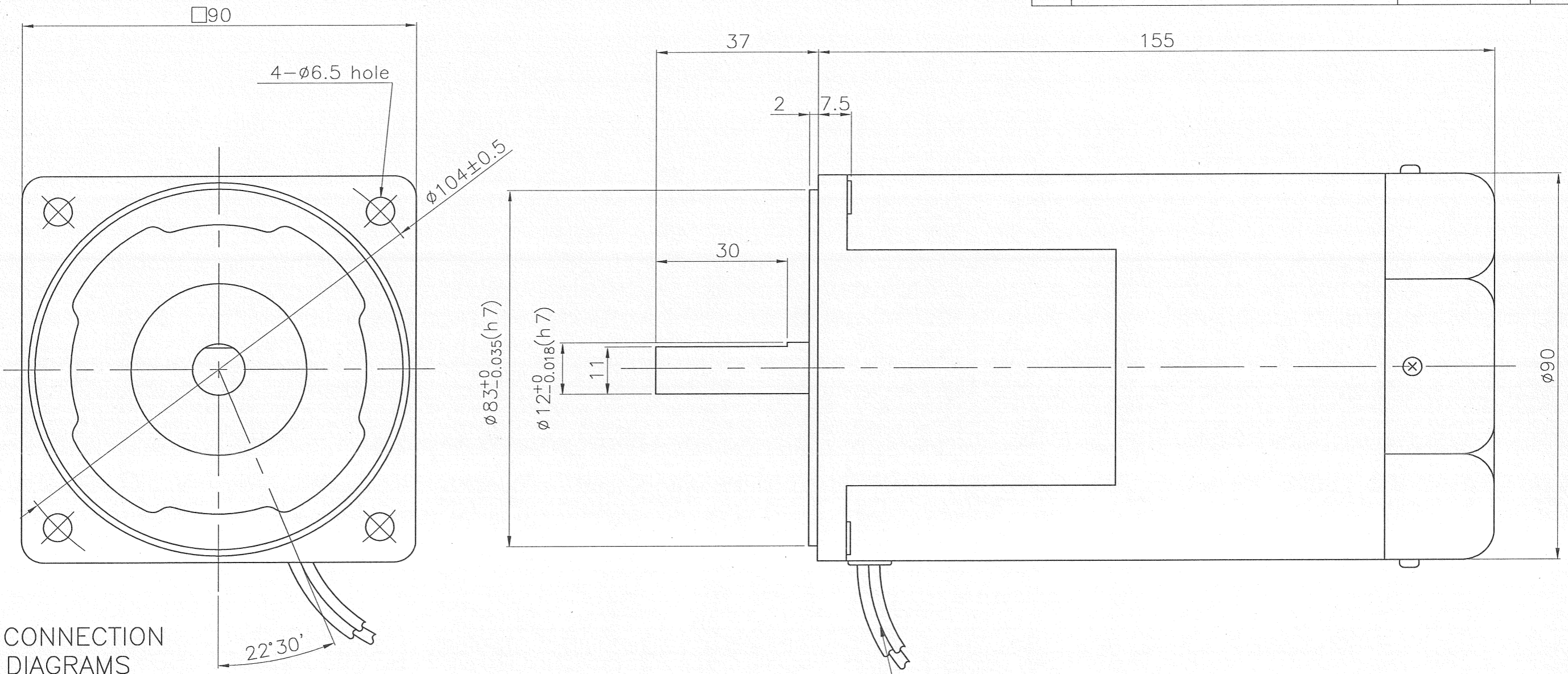


CCW :
To change
any two connections
among U, V and W.

* CW=Clock Wise, CCW=Counter Clock Wise
* The Direction of motor rotation is as viewed from the front shaft end of the motor.
* C = Capacitor = Condenser

DRAW	12. 11. 7	SCALE : 1/1	PART NAME
DESIGNED		UNIT : mm	OUTLINE
CHECKED			APPLICATION MODEL
APPROVED			K9IP180F□, K9RP180F□, K9IP200F□ K9IP200F□-2P
 GLOBAL GEARED MOTOR		RELATION DWG.	DWG NO.
			2-OL-00032

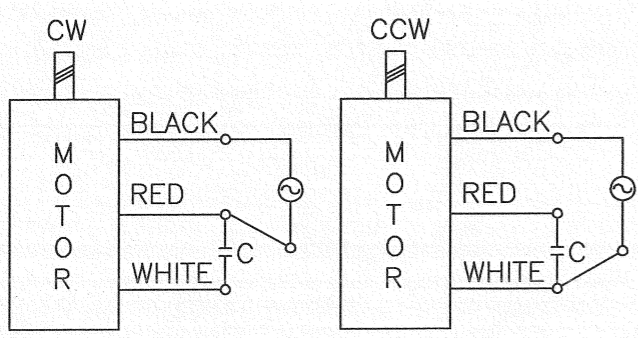
No.	REMARK	REVISION No.	SIGN



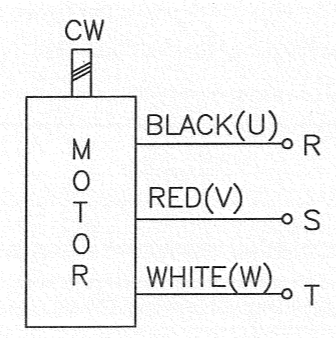
MOTOR LEAD WIRE 300mm
UL Style 3271, AWG20

■ CONNECTION DIAGRAMS

SINGLE-PHASE MOTOR



THREE-PHASE MOTOR



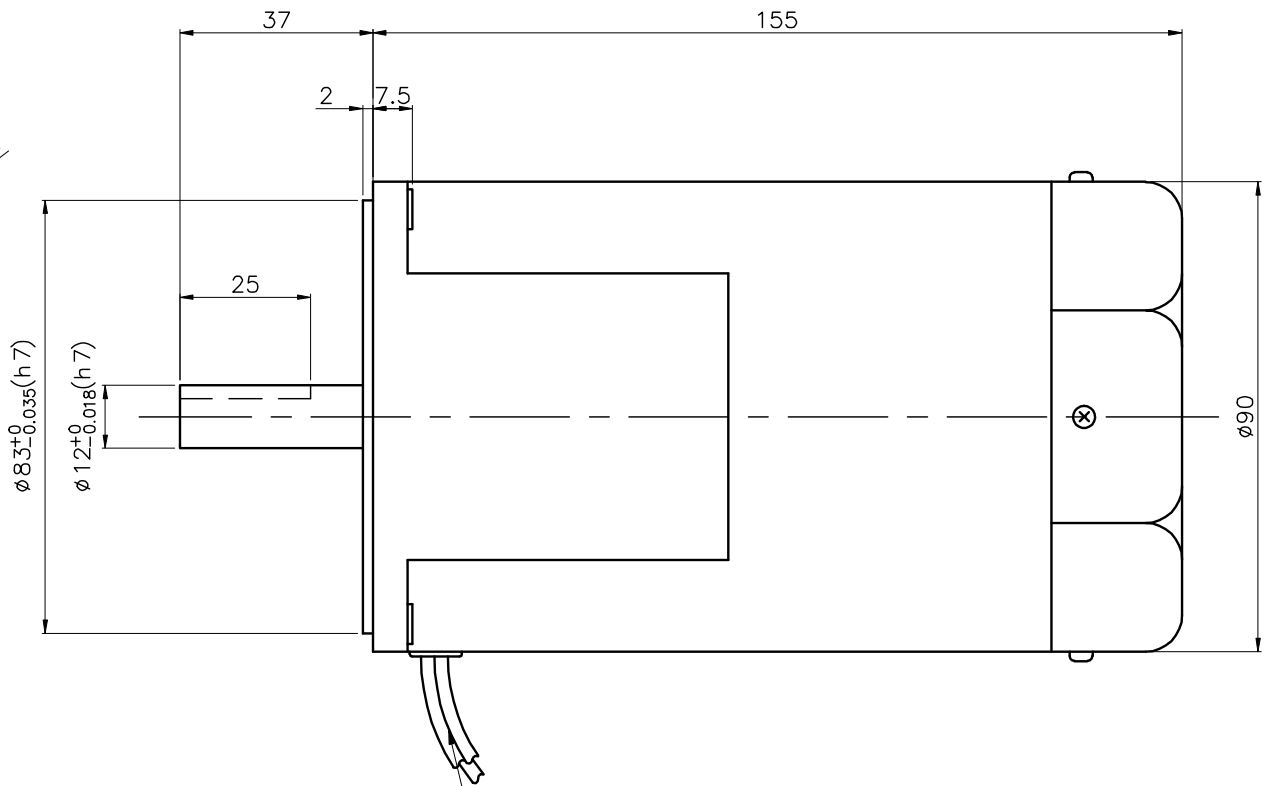
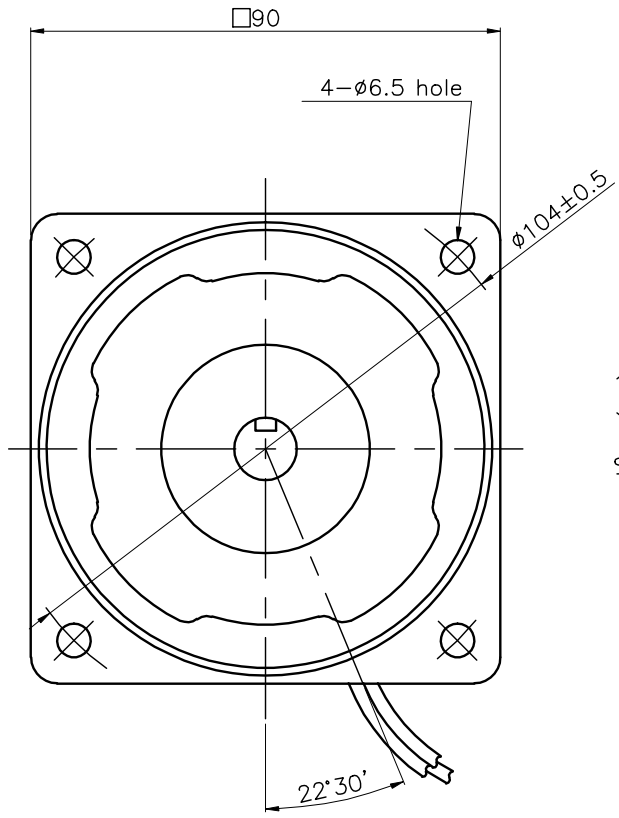
CCW :
To change
any two connections
among U, V and W.

* CW=Clock Wise, CCW=Counter Clock Wise
* The Direction of motor rotation is as viewed from the front shaft end of the motor.
* C = Capacitor = Condenser

DRAW	12. 11. 7	SCALE : 1/1	PART NAME	OUTLINE
DESIGNED		UNIT : mm		
CHECKED			APPLICATION MODEL	K9IS180F□, K9IS180F□-2P, K9RS180F□ K9IS200F□, K9IS200F□-2P
APPROVED			RELATION DWG.	

G G M
GLOBAL GEARED MOTOR

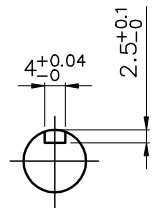
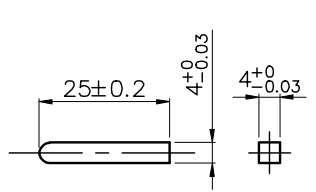
No.	REMARK	REVISION No.	SIGN



MOTOR LEAD WIRE 300mm
UL Style 3271, AWG20

◎ KEY

◎ KEY GROOVE



DRAW		SCALE : 1/1	PART NAME
DESIGNED		UNIT : mm	OUTLINE
CHECKED			APPLICATION MODEL
APPROVED			K9IK180F□, K9RK180F□, K9IK200F□
		RELATION DWG.	DWG NO.
			2-OL-00991