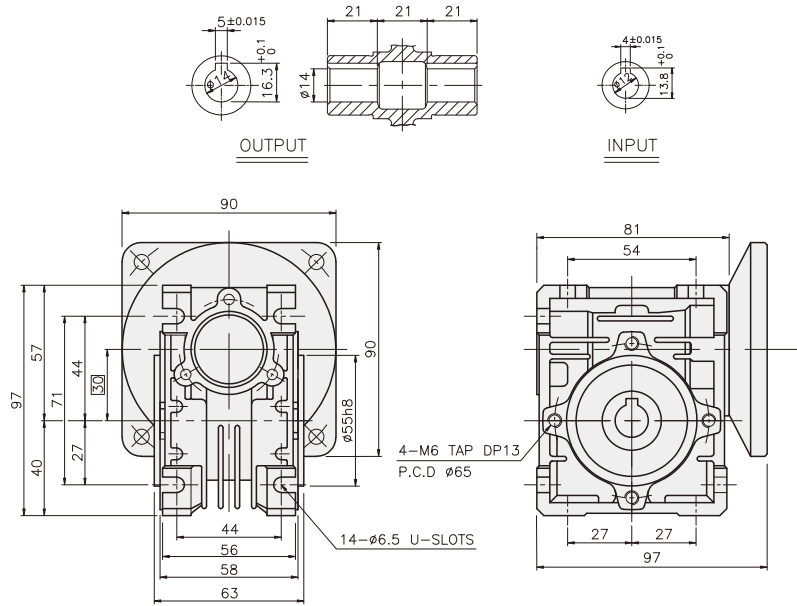
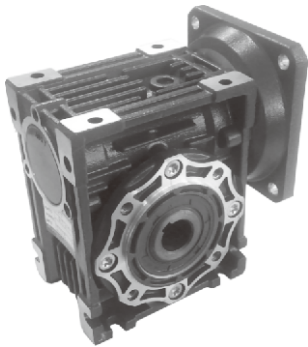


WORM REDUCER

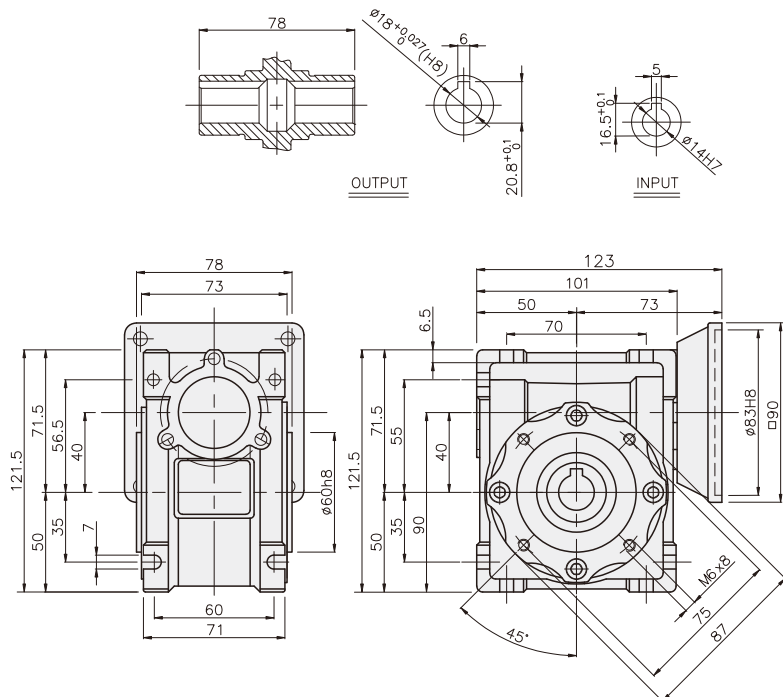
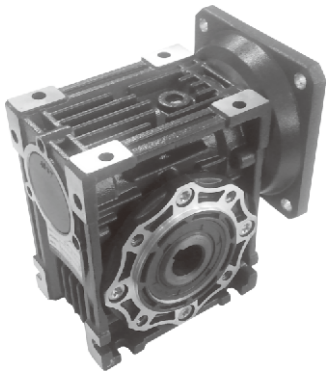
NMRV

DIMENSIONS

NMRV 030



NMRV 040

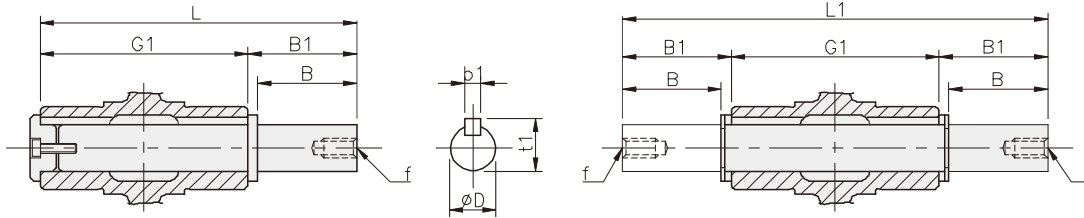


WORM REDUCER

Output Shaft (Option)

■ 短軸形

■ 兩軸形



Output Shaft Spec

	d	B	B1	G1	L	L1	f	b1	t1
030	14h6	30	32.5	63	102	128	M6	5	16
040	18h6	40	43	78	128	164	M6	6	20.5

Input Shaft

NMRV	D												
	RATIO	5	7.5	10	15	20	25	30	40	50	60	80	100
030		12	12	12	12	12	12	12	12	12	12	12	-
040		12	12	12	12	12	12	12	12	12	12	12	12

WORM REDUCER 效率 DATE

i = RATIO η_d = 無負荷時效率 η_s = 負荷時效率 · T = 許容 Torque

RV	i	5	7.5	10	15	20	25	30	40	50	60	80	100
30	η_d (At 1400 RPM)	0.87	0.85	0.82	0.77	0.73	0.68	0.65	0.59	0.55	0.51	0.44	
	η_s	0.72	0.67	0.63	0.55	0.5	0.43	0.39	0.35	0.31	0.27	0.23	
	T(Nm)		15	15.3	14.9	15	17.5	16.6	15.3	13.8	14	10.5	
40	η_d (At 1400 RPM)	0.89	0.87	0.85	0.82	0.78	0.75	0.7	0.65	0.62	0.58	0.52	0.47
	η_s	0.74	0.71	0.67	0.6	0.55	0.51	0.45	0.4	0.36	0.32	0.28	0.24
	T(Nm)		32	33.2	33.6	32.5	31.3	36.8	33.2	31.6	30.3	28.3	25.3