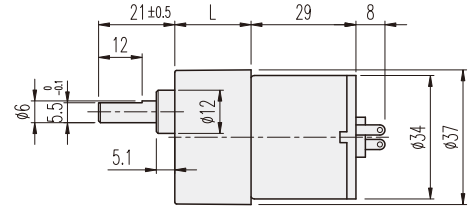
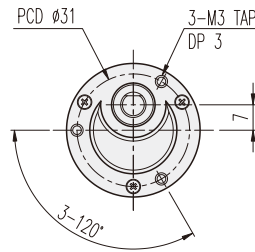


KGC-TYPE

DIMENSIONS

KGC-3429 SERIES



GEARHEAD LENGTH

| RATIO | L |
|----------------|------|
| 1/002 ~ 1/030 | 21 |
| 1/040 ~ 1/180 | 29 |
| 1/200 ~ 1/2430 | 33.7 |

AT MAXIMUM EFFICIENCY (KGC-□□□□-KD3429□□)

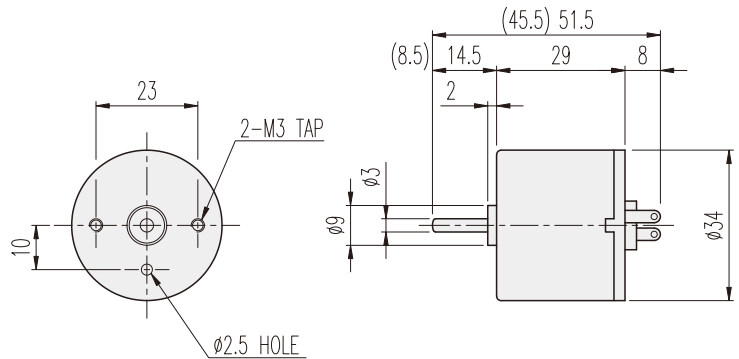
| GEAR | MODEL | | KD3429S1 | | KD3429S2 | | KD3429T1 | | KD3429T2 | | KD3429P1 | | KD3429P2 | |
|--------|-------|--------|----------|--------|----------|--------|----------|--------|----------|--------|----------|--------|----------|--------|
| | | | DC 12V | | DC 24V | | DC 12V | | DC 24V | | DC 12V | | DC 24V | |
| | rpm | kgf-cm | rpm | kgf-cm | rpm | kgf-cm | rpm | kgf-cm | rpm | kgf-cm | rpm | kgf-cm | rpm | kgf-cm |
| 1/0002 | 2250 | 0.06 | 2250 | 0.06 | 3250 | 0.06 | 3250 | 0.06 | 4000 | 0.13 | 4000 | 0.06 | | |
| 1/0003 | 1500 | 0.1 | 1500 | 0.1 | 2166 | 0.1 | 2166 | 0.1 | 2166 | 0.2 | 2166 | 0.1 | | |
| 1/0005 | 900 | 0.16 | 900 | 0.16 | 1300 | 0.16 | 1300 | 0.16 | 1600 | 0.3 | 1600 | 0.16 | | |
| 1/0010 | 450 | 0.29 | 450 | 0.29 | 650 | 0.29 | 650 | 0.29 | 800 | 0.65 | 800 | 0.29 | | |
| 1/0015 | 300 | 0.44 | 300 | 0.44 | 433 | 0.44 | 433 | 0.44 | 533.3 | 0.87 | 533.3 | 0.44 | | |
| 1/0020 | 225 | 0.58 | 225 | 0.58 | 325 | 0.58 | 325 | 0.58 | 400 | 1.16 | 400 | 0.58 | | |
| 1/0025 | 180 | 0.7 | 180 | 0.7 | 260 | 0.7 | 260 | 0.7 | 320 | 1.46 | 320 | 0.7 | | |
| 1/0030 | 150 | 0.9 | 150 | 0.9 | 217 | 0.9 | 217 | 0.9 | 267 | 1.75 | 267 | 0.9 | | |
| 1/0040 | 112.5 | 1 | 112.5 | 1 | 163 | 1 | 163 | 1 | 200 | 2.1 | 200 | 1 | | |
| 1/0050 | 90 | 1.3 | 90 | 1.3 | 130 | 1.3 | 130 | 1.3 | 160 | 2.6 | 160 | 1.3 | | |
| 1/0060 | 75 | 1.6 | 75 | 1.6 | 108 | 1.6 | 108 | 1.6 | 133 | 3.15 | 133 | 1.6 | | |
| 1/0070 | 64.3 | 1.65 | 64.3 | 1.65 | 93 | 1.65 | 93 | 1.65 | 114 | 3.67 | 114 | 1.65 | | |
| 1/0083 | 54.2 | 1.95 | 54.2 | 1.95 | 78 | 1.95 | 78 | 1.95 | 96 | 3.9 | 96 | 1.95 | | |
| 1/0090 | 50 | 2.1 | 50 | 2.1 | 72 | 2.1 | 72 | 2.1 | 89 | 4.7 | 89 | 2.1 | | |
| 1/0100 | 45 | 2.3 | 45 | 2.3 | 65 | 2.3 | 65 | 2.3 | 80 | 4.7 | 80 | 2.3 | | |
| 1/0120 | 37.5 | 2.8 | 37.5 | 2.8 | 54 | 2.8 | 54 | 2.8 | 67 | 5.7 | 67 | 2.8 | | |
| 1/0150 | 30 | 3.5 | 30 | 3.5 | 43 | 3.5 | 43 | 3.5 | 53 | 6 | 53 | 3.5 | | |
| 1/0180 | 25 | 4.2 | 25 | 4.2 | 36 | 4.2 | 36 | 4.2 | 44 | 6 | 44 | 4.2 | | |
| 1/0200 | 22.5 | 4.7 | 22.5 | 4.7 | 32.5 | 4.7 | 32.5 | 4.7 | 40 | 6 | 40 | 4.7 | | |
| 1/0210 | 21.4 | 4.9 | 21.4 | 4.9 | 31 | 4.9 | 31 | 4.9 | 38 | 6 | 38 | 4.9 | | |
| 1/0240 | 18.7 | 5.1 | 18.7 | 5.1 | 27 | 5.1 | 27 | 5.1 | 33 | 6 | 33 | 5.1 | | |
| 1/0300 | 15 | 6 | 15 | 6 | 21.6 | 6 | 21.6 | 6 | 26.7 | 6 | 26.7 | 6 | | |
| 1/0360 | 12.5 | 6 | 12.5 | 6 | 18 | 6 | 18 | 6 | 22.2 | 6 | 22.2 | 6 | | |
| 1/0400 | 11.2 | 6 | 11.2 | 6 | 16.2 | 6 | 16.2 | 6 | 20 | 6 | 20 | 6 | | |
| 1/0500 | 9 | 6 | 9 | 6 | 13 | 6 | 13 | 6 | 16 | 6 | 16 | 6 | | |
| 1/0600 | 7.5 | 6 | 7.5 | 6 | 10.8 | 6 | 10.8 | 6 | 13.3 | 6 | 13.3 | 6 | | |
| 1/0750 | 6 | 6 | 6 | 6 | 8.7 | 6 | 8.7 | 6 | 10.6 | 6 | 10.6 | 6 | | |
| 1/0900 | 5 | 6 | 5 | 6 | 7.2 | 6 | 7.2 | 6 | 8.9 | 6 | 8.9 | 6 | | |
| 1/1080 | 4.1 | 6 | 4.1 | 6 | 6 | 6 | 6 | 6 | 7.4 | 6 | 7.4 | 6 | | |
| 1/1350 | 3.3 | 6 | 3.3 | 6 | 4.8 | 6 | 4.8 | 6 | 5.9 | 6 | 5.9 | 6 | | |
| 1/1620 | 2.8 | 6 | 2.8 | 6 | 4 | 6 | 4 | 6 | 4.9 | 6 | 4.9 | 6 | | |
| 1/2430 | 1.8 | 6 | 1.8 | 6 | 2.7 | 6 | 2.7 | 6 | 3.3 | 6 | 3.3 | 6 | | |

※ 色の減速比は、モーターと出力軸の回転方向は同じです。

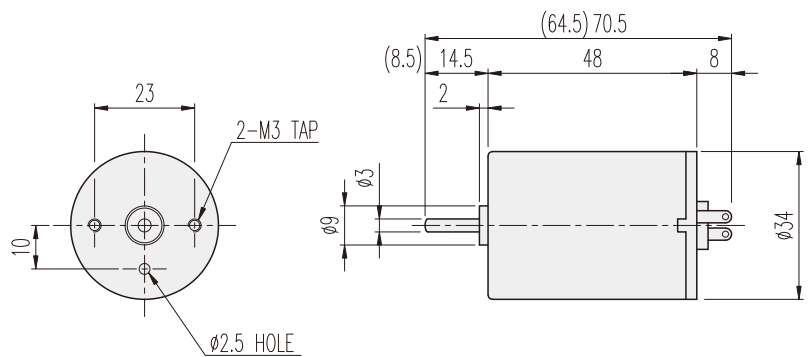
KD□-34□□-TYPE

DIMENSIONS

KD3429□□ SERIES



KD3448□□ SERIES



ENCODER SERIES

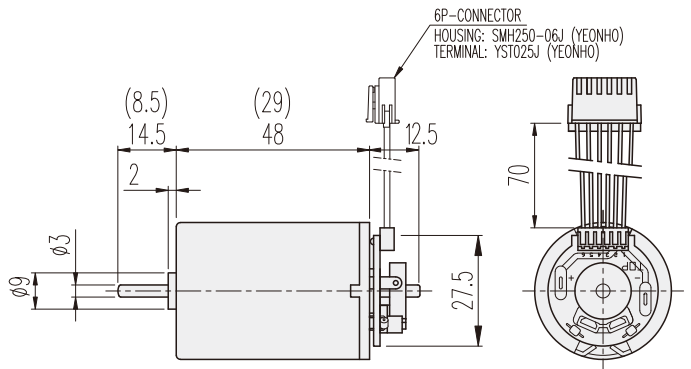
KD3429□□-E & 3448□□-E



6P-CONNECTOR 結線内容

| No.1 | 接続内容 | 備考 |
|------|-----------------|-------------------------------------|
| 1 | DC MOOTR (+) 電源 | 電源投入時 MOTOR CCW回転 |
| 2 | DC MOOTR (-) 電源 | |
| 3 | H/SENSOR (+) 電源 | Vcc (+) DC 5 ~ 24V |
| 4 | H/SENSOR (-) 電源 | GROUND |
| 5 | H/SENSOR #1 OUT | OPEN COLLECTOR MAX. DC 24V -50mA |
| 6 | H/SENSOR #1 OUT | |

20ポール10パルス INCREMENTAL TYPE



PERFORMANCE DATA

| MODEL | ITEM | VOLTAGE (DC) | NO LOAD | | AT MAX. EFF. | | STALL | | WEIGHT (g) |
|----------|------|--------------|---------|------|--------------|-----|-------|-----|------------|
| | | | mA | rpm | gf-cm | A | rpm | A | |
| KD3429S1 | | 12V | 120 | 5200 | 40 | 0.3 | 4500 | 1.7 | 90 |
| KD3429S2 | | 24V | 70 | 5200 | 40 | 0.2 | 4500 | 1 | |
| KD3429T1 | | 12V | 150 | 7500 | 40 | 0.5 | 6500 | 3.8 | |
| KD3429T2 | | 24V | 80 | 7500 | 40 | 0.2 | 6500 | 1.2 | |
| KD3429P1 | | 12V | 200 | 9500 | 80 | 1 | 8000 | 3.8 | 140 |
| KD3429P2 | | 24V | 100 | 9500 | 40 | 0.3 | 8000 | 2 | |
| KD3448S1 | | 12V | 150 | 5200 | 80 | 0.5 | 4500 | 3.2 | |
| KD3448S2 | | 24V | 80 | 5200 | 80 | 0.3 | 4500 | 2 | |
| KD3448T1 | | 12V | 220 | 7500 | 80 | 0.7 | 6500 | 5 | |
| KD3448T2 | | 24V | 100 | 7500 | 80 | 0.4 | 6500 | 3 | |
| KD3448P1 | | 12V | 300 | 9000 | 80 | 0.8 | 8000 | 5.5 | |
| KD3448P2 | | 24V | 200 | 9000 | 80 | 0.5 | 8000 | 3.5 | |