

REVERSIBLE MOTOR

40W

□80mm

LEAD WIRE TYPE

K8R□40F□



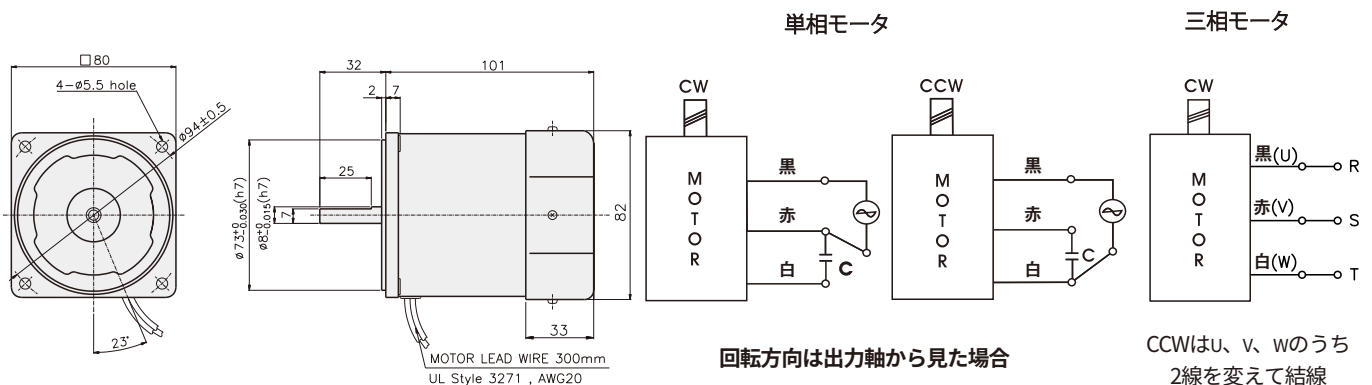
SPECIFICATIONS

40W 30分定格、4極

Model	Out Put (W)	Voltage (V)	Frequency (Hz)	Current (A)	Start T. (N·m/kgf·cm)	Rated T. (N·m/kgf·cm)	Speed (rpm)	Condenser (μF)
K8R□40FC	单相	40	220	50	0.41	0.27	0.300	1300
						2.78	3.00	
			60	0.40	0.27	0.245	1600	
					2.78	2.45		
		230	50	0.44	0.31	0.300	1300	
					3.18	3.00		
			60	0.41	0.30	0.245	1600	
					3.10	2.45		

* □: シャフト形状 (S: STRAIGHT, G: PINION)

DIMENSIONS & CONNECTION DIAGRAMS



GEARHEAD

DIMENSIONS

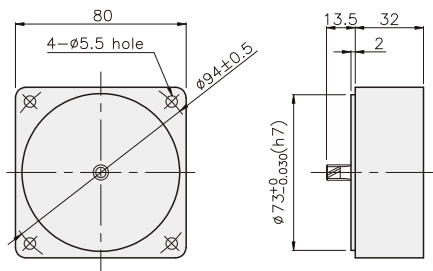
K8G□B(C)



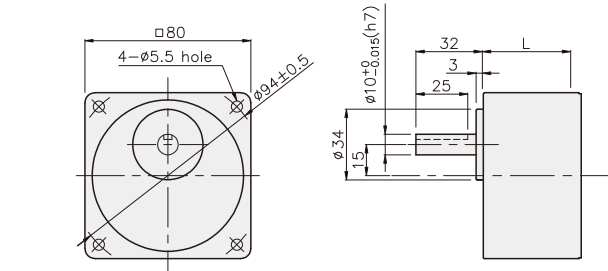
K8RG40F□ + K8G□B(C)



DECIMAL GEARHEAD
K8G10BX

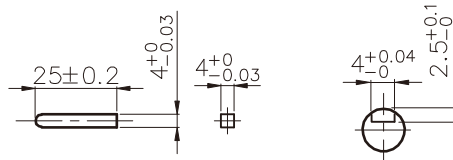


GEARHEAD
K8G□B(C)

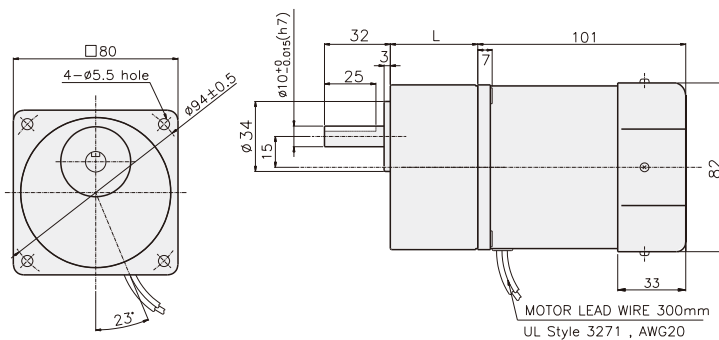


KEY SPEC

- KEY
- KEY GROOVE



K8RG40F□ + K8G□B(C)



寸法図表

品番	L	適用機種	取付BOLT
01	32	K8G3~18B(C,M)	M5 P0.8 X 50
02	42.5	K8G20~250B(C,M)	M5 P0.8 X 65

重さ

PART	WEIGHT(kg)	
MOTOR	1.70	
DECIMAL GEARHEAD	0.46	
GEAR HEAD	K8G3~18B(C)	0.51
	K8G20~40B(C)	0.64
	K8G50~250B(C)	0.70