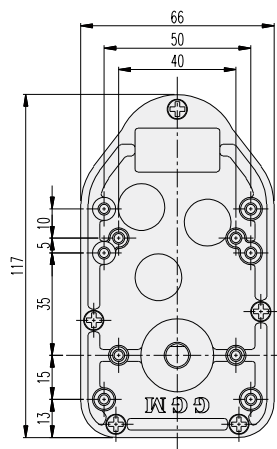
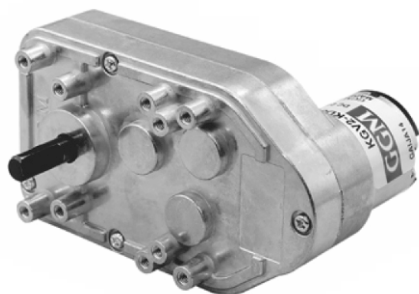


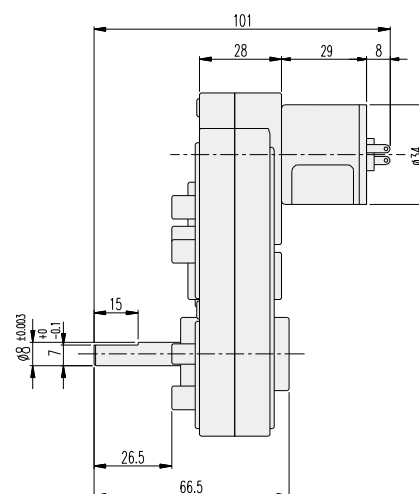
KGV2-TYPE

DIMENSIONS

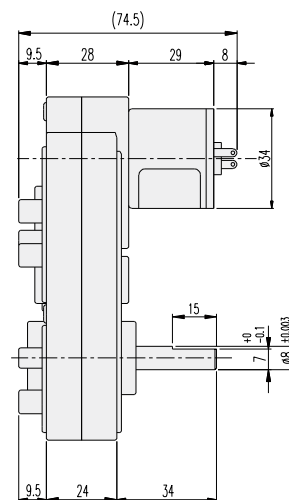
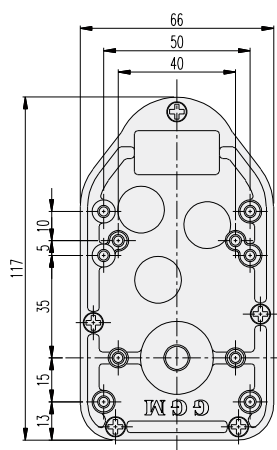
KGV2-3429 SERIES



F TYPE



R TYPE



AT MAXIMUM EFFICIENCY

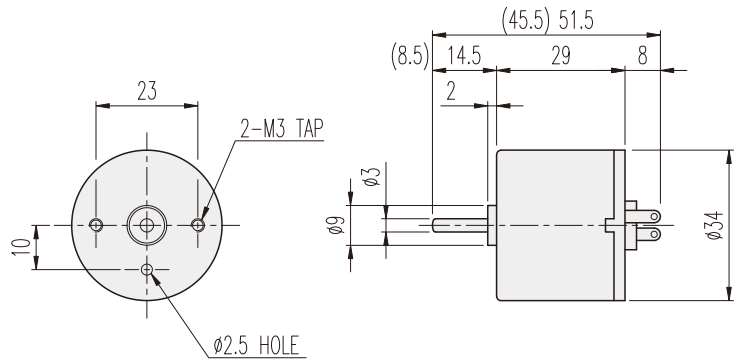
MODEL GEAR	KD3429S1		KD3429S2		KD3429T1		KD3429T2		KD3429P1		KD3429P2	
	rpm	kgf-cm	rpm	kgf-cm	rpm	kgf-cm	rpm	kgf-cm	rpm	kgf-cm	rpm	kgf-cm
1/0060	75	1.4	75	1.4	108.3	1.4	108.3	1.4	133.3	2.8	133.3	1.4
1/0070	64.2	1.6	64.2	1.6	92.8	1.6	92.8	1.6	114.2	3.2	114.2	1.6
1/0090	50	2	50	2	72.2	2	72.2	2	88.8	4	88.8	2
1/0105	42.8	2.4	42.8	2.4	62	2.4	62	2.4	76	4.8	76	2.4
1/0135	33.3	2.8	33.3	2.8	48	2.8	48	2.8	59.2	5.6	59.2	2.8
1/0200	22.5	4.2	22.5	4.2	32.5	4.2	32.5	4.2	40	8.4	40	4.2
1/0350	12.8	7.3	12.8	7.3	18.5	7.3	18.5	7.3	22.8	14.6	22.8	7.3
1/0500	9	10.5	9	10.5	13	10.5	13	10.5	16	20	16	10.5
1/0660	6.8	13.8	6.8	13.8	9.8	13.8	9.8	13.8	12	20	12	13.8

* 色の減速比は、モーターと出力軸の回転方向は同じです。

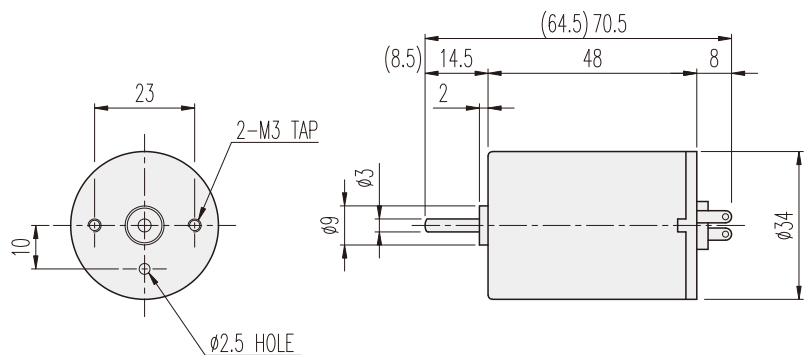
KD□-34□□-TYPE

DIMENSIONS

KD3429□□ SERIES



KD3448□□ SERIES



ENCODER SERIES

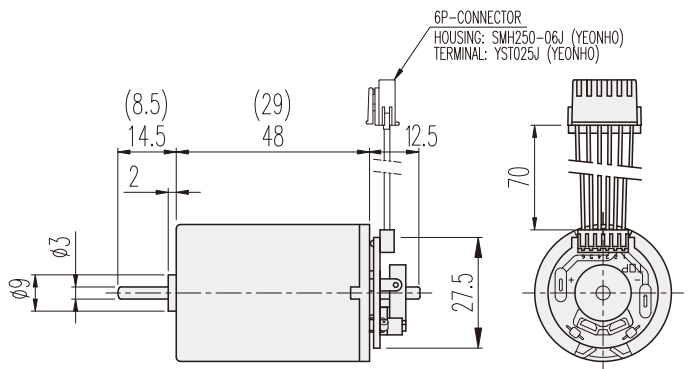
KD3429□□-E & 3448□□-E



6P-CONNECTOR 結線内容

No.1	接続内容	備考
1	DC MOOTR (+) 電源	電源投入時 MOTOR CCW回転
2	DC MOOTR (-) 電源	
3	H/SENSOR (+) 電源	Vcc (+) DC 5 ~ 24V
4	H/SENSOR (-) 電源	GROUND
5	H/SENSOR #1 OUT	OPEN COLLECTOR MAX. DC 24V -50mA
6	H/SENSOR #1 OUT	

20ポール10パルス INCREMENTAL TYPE



PERFORMANCE DATA

MODEL	ITEM	VOLTAGE (DC)	NO LOAD		AT MAX. EFF.		STALL		WEIGHT (g)
			mA	rpm	gf-cm	A	rpm	A	
90	KD3429S1	12V	120	5200	40	0.3	4500	1.7	360
	KD3429S2	24V	70	5200	40	0.2	4500	1	370
	KD3429T1	12V	150	7500	40	0.5	6500	3.8	420
	KD3429T2	24V	80	7500	40	0.2	6500	1.2	320
140	KD3429P1	12V	200	9500	80	1	8000	3.8	330
	KD3429P2	24V	100	9500	40	0.3	8000	2	350
	KD3448S1	12V	150	5200	80	0.5	4500	3.2	830
	KD3448S2	24V	80	5200	80	0.3	4500	2	790
	KD3448T1	12V	220	7500	80	0.7	6500	5	730
	KD3448T2	24V	100	7500	80	0.4	6500	3	700
	KD3448P1	12V	300	9000	80	0.8	8000	5.5	670
	KD3448P2	24V	200	9000	80	0.5	8000	3.5	750