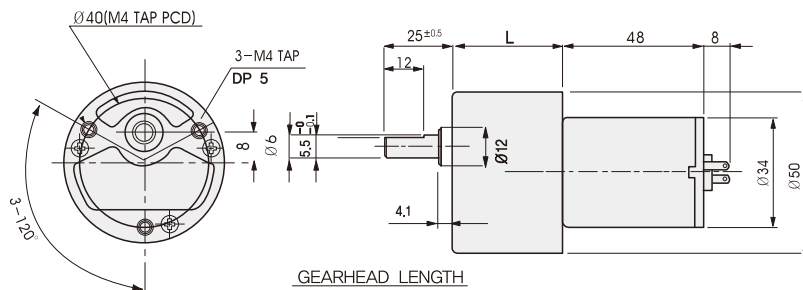
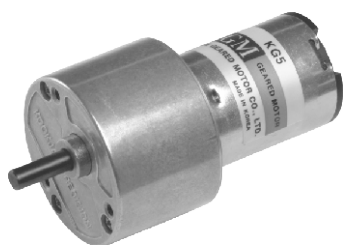


## KG5-TYPE

### DIMENSIONS

#### KG5-3448 SERIES



GEARHEAD LENGTH

RATIO	L
1/003~1/120	34
1/150~1/3240	46

#### AT MAXIMUM EFFICIENCY (KG5-□□□□-KD3448□□)

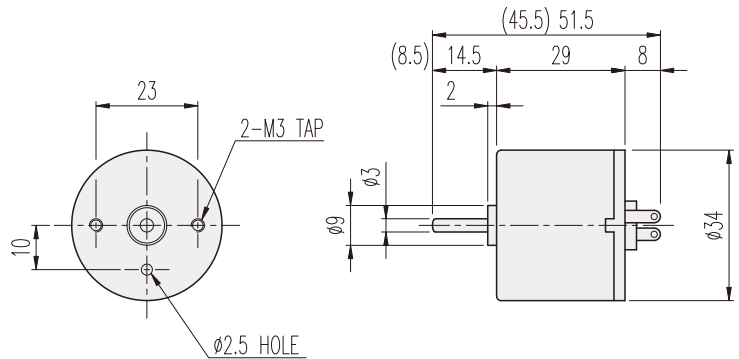
GEAR	MODEL		KD3448S1		KD3448S2		KD3448T1		KD3448T2		KD3448P1		KD3448P2	
	DC 12V		DC 24V		DC 12V		DC 24V		DC 12V		DC 24V			
	rpm	kgf-cm	rpm	kgf-cm	rpm	kgf-cm	rpm	kgf-cm	rpm	kgf-cm	rpm	kgf-cm	rpm	kgf-cm
1/0003	1500	0.2	1500	0.2	2167	0.2	2167	0.2	2600	0.2	2667	0.2		
1/0005	900	0.3	900	0.3	1300	0.3	1300	0.3	1560	0.3	1600	0.3		
1/0010	450	0.65	450	0.65	650	0.65	650	0.65	780	0.65	800	0.65		
1/0015	300	0.87	300	0.87	433	0.87	433	0.87	520	0.87	533	0.87		
1/0020	225	1.2	225	1.2	325	1.2	325	1.2	390	1.2	400	1.2		
1/0025	180	1.5	180	1.5	260	1.5	260	1.5	312	1.5	320	1.5		
1/0030	150	1.75	150	1.75	217	1.75	217	1.75	260	1.75	267	1.75		
1/0040	112.5	2.3	112.5	2.3	162.5	2.3	162.5	2.3	195	2.3	200	2.3		
1/0050	90	2.6	90	2.6	130	2.6	130	2.6	156	2.6	160	2.6		
1/0060	75	3.1	75	3.1	108	3.1	108	3.1	130	3.1	133	3.1		
1/0075	60	3.9	60	3.9	87	3.9	87	3.9	104	3.9	107	3.9		
1/0090	50	4.7	50	4.7	72	4.7	72	4.7	87	4.7	88.9	4.7		
1/0100	45	5.2	45	5.2	65	5.2	65	5.2	78	5.2	80	5.2		
1/0120	37.5	6.3	37.5	6.3	54.2	6.3	54.2	6.3	65	6.3	66.7	6.3		
1/0150	30	7	30	7	43.3	7	43.3	7	52	7	53.3	7		
1/0160	28.1	7.5	28.1	7.5	40.6	7.5	40.6	7.5	48.8	7.5	50	7.5		
1/0180	25	8.5	25	8.5	36.1	8.5	36.1	8.5	43.3	8.5	44.4	8.5		
1/0200	22.5	9.4	22.5	9.4	32.5	9.4	32.5	9.4	39	9.4	40	9.4		
1/0210	21.4	9.9	21.4	9.9	31	9.9	31	9.9	37.1	9.9	38.1	9.9		
1/0240	18.8	10	18.8	10	27	10	27	10	32.5	10	33.3	10		
1/0250	18	10	18	10	26	10	26	10	31.2	10	32	10		
1/0270	16.7	10	16.7	10	24	10	24	10	28.9	10	29.6	10		
1/0300	15	10	15	10	21.7	10	21.7	10	26	10	26.7	10		
1/0360	12.5	10	12.5	10	18	10	18	10	21.7	10	22.2	10		
1/0400	11.3	10	11.3	10	16.3	10	16.3	10	19.5	10	20	10		
1/0500	9	10	9	10	13	10	13	10	15.6	10	16	10		
1/0600	7.5	10	7.5	10	10.8	10	10.8	10	13	10	13.3	10		
1/0750	6	10	6	10	8.7	10	8.7	10	10.4	10	10.7	10		
1/0900	5	10	5	10	7.2	10	7.2	10	8.7	10	8.9	10		
1/1080	4.2	10	4.2	10	6	10	6	10	7.2	10	7.4	10		
1/1250	3.6	10	3.6	10	5.2	10	5.2	10	6.2	10	6.4	10		
1/1500	3	10	3	10	4.3	10	4.3	10	5.2	10	5.3	10		
1/1800	2.5	10	2.5	10	3.6	10	3.6	10	4.3	10	4.4	10		
1/2250	2	10	2	10	2.9	10	2.9	10	3.5	10	3.6	10		
1/2700	1.7	10	1.7	10	2.4	10	2.4	10	2.9	10	3	10		
1/3240	1.4	10	1.4	10	2	10	2	10	2.4	10	2.5	10		

※ □□□□色の減速比は、モーターと出力軸の回転方向は同じです。

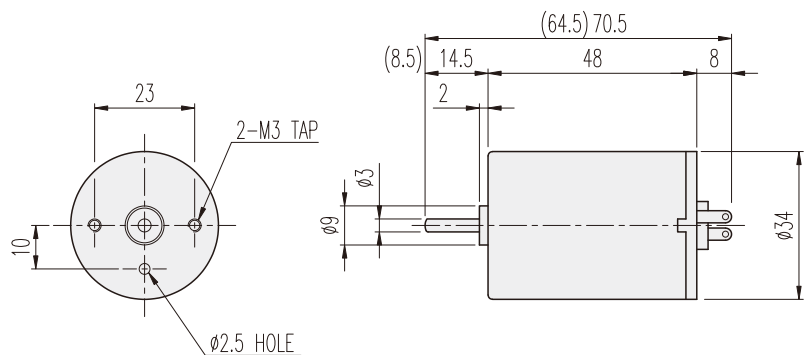
## KD□-34□□-TYPE

### DIMENSIONS

#### KD3429□□ SERIES



#### KD3448□□ SERIES



#### ENCODER SERIES

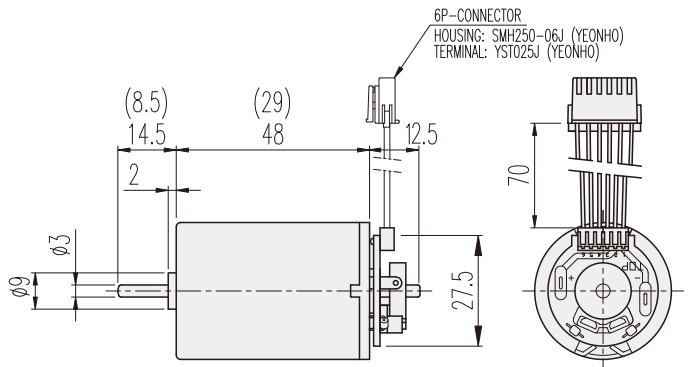
#### KD3429□□-E & 3448□□-E



6P-CONNECTOR 結線内容

No.1	接続内容	備考
1	DC MOOTR (+) 電源	電源投入時 MOTOR CCW回転
2	DC MOOTR (-) 電源	
3	H/SENSOR (+) 電源	Vcc (+) DC 5 ~ 24V
4	H/SENSOR (-) 電源	GROUND
5	H/SENSOR #1 OUT	OPEN COLLECTOR MAX. DC 24V -50mA
6	H/SENSOR #1 OUT	

20ポール10パルス INCREMENTAL TYPE



#### PERFORMANCE DATA

MODEL	ITEM	VOLTAGE (DC)	NO LOAD		AT MAX. EFF.		STALL		WEIGHT (g)
			mA	rpm	gf-cm	A	rpm	A	
90	KD3429S1	12V	120	5200	40	0.3	4500	1.7	360
	KD3429S2	24V	70	5200	40	0.2	4500	1	370
	KD3429T1	12V	150	7500	40	0.5	6500	3.8	420
	KD3429T2	24V	80	7500	40	0.2	6500	1.2	320
140	KD3429P1	12V	200	9500	80	1	8000	3.8	330
	KD3429P2	24V	100	9500	40	0.3	8000	2	350
	KD3448S1	12V	150	5200	80	0.5	4500	3.2	830
	KD3448S2	24V	80	5200	80	0.3	4500	2	790
	KD3448T1	12V	220	7500	80	0.7	6500	5	730
	KD3448T2	24V	100	7500	80	0.4	6500	3	700
	KD3448P1	12V	300	9000	80	0.8	8000	5.5	670
	KD3448P2	24V	200	9000	80	0.5	8000	3.5	750