

OPEN TYPE MOTOR

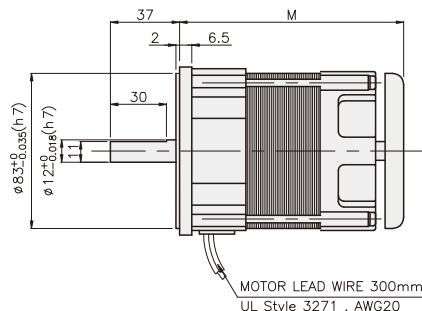
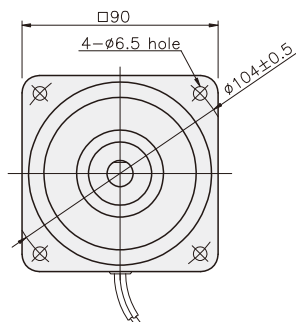
60W ~ 200W

□90mm

LEAD WIRE TYPE

DIMENSIONS

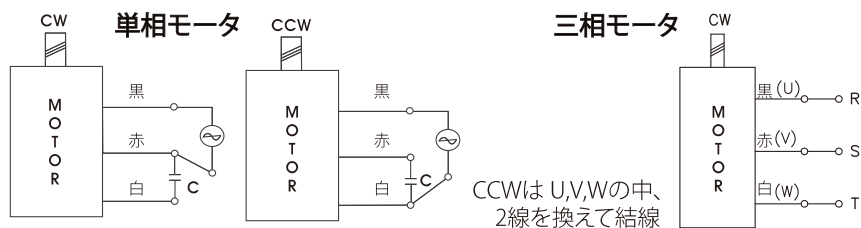
K9I□60B□~K9I□200B□



CONNECTION DIAGRAMS

寸法図表

| M | MOTOR |
|-----|--|
| 120 | K9I□60B□ |
| 135 | K9I□90B□, K9I□120B□(60Hz)~K9I□150B□(60Hz) |
| 165 | K9I□120B□(50Hz)~K9I□150B□(50Hz) K9I□180B□~K9I□200B□ |



※回転方向は出力軸から見た場合

SPECIFICATIONS

60W

| Model | | Voltage (V) | Frequency (Hz) | Current (A) | Start T. (N·m/kgf·cm) | Rated T. (N·m/kgf·cm) | Speed (rpm) | Condenser (μF) | |
|----------|-----|-------------|----------------|-------------|-----------------------|-----------------------|-------------|----------------|------|
| K9I□60BJ | 単相 | 100 | 50 | 1.36 | 0.38/3.8 | 0.47/4.7 | 1250 | 20 | |
| | | | 60 | 1.37 | | 0.38/3.8 | 1550 | | |
| K9I□60BU | | 110 | 60 | 1.21 | 0.37/3.7 | 0.38/3.8 | 1550 | 16 | |
| | | | | 1.27 | | | | | |
| K9I□60BL | | 200 | 50 | 0.67 | 0.4/4 | 0.47/4.7 | 1250 | 5 | |
| | | | | 0.69 | | | | | |
| K9I□60BC | | 220 | 50 | 0.58 | 0.38/3.8 | 0.47/4.7 | 1250 | 4 | |
| | | | | 0.57 | | | | | |
| | | | 230 | 50 | 0.63 | 0.4/4 | 0.47/4.7 | | 1250 |
| | | | | 60 | | | 0.38/3.8 | | 1550 |
| K9I□60BD | 240 | 50 | 0.69 | 0.44/4.4 | 0.47/4.7 | 1250 | 4 | | |
| K9I□60BT | 三相 | 200 | 50 | 0.49 | 1.35/13.5 | 0.45/4.5 | 1300 | — | |
| | | | 60 | 0.45 | 1.05/10.5 | 0.38/3.8 | 1550 | | |
| K9I□60BH | | 220 | 50 | 0.55 | 1.6/16 | 0.435/4.35 | 1350 | | |
| | | | 60 | 0.47 | 1.2/12 | 0.37/3.7 | 1600 | | |
| K9I□60BM | | 230 | 50 | 0.6 | 1.65/16.5 | 0.435/4.35 | 1350 | | |
| | | | 60 | 0.52 | 1.3/13 | 0.37/3.7 | 1600 | | |
| K9I□60BM | | 380 | 50 | 0.34 | 1.55/15.5 | 0.435/4.35 | 1350 | | |
| | | | 60 | 0.25 | 1.19/11.9 | 0.37/3.7 | 1600 | | |
| K9I□60BV | | 400 | 50 | 0.37 | 1.85/18.5 | 0.435/4.35 | 1350 | | |
| | | | 60 | 0.28 | 1.42/14.2 | 0.37/3.7 | 1600 | | |
| K9I□60BQ | | 415 | 50 | 0.26 | 1.45/14.5 | 0.45/4.5 | 1300 | | |
| | | | 60 | 0.21 | 1.15/11.5 | 0.37/3.7 | 1600 | | |
| K9I□60BZ | 440 | 50 | 0.28 | 1.6/16 | 0.45/4.5 | 1300 | | | |
| | | 60 | 0.23 | 1.25/12.5 | 0.37/3.7 | 1600 | | | |

モータの仕様は INDUCTION MOTORと同一です。適用 GEARHEAD K6G□B(C) SERIES です。

適用 GEARHEAD 及び減速比別出力 TORQUE 値を知りたい時は INDUCTION MOTORの RATED TORQUE OF GEARHEADを確認してください。

* □ : SHAFT 形状 (S : STRAIGHT, G : PINION)

OPEN TYPE MOTOR

SPECIFICATIONS

90W

| Model | | Voltage (V) | Frequency (Hz) | Current (A) | Start T. (N*m) (kgf*cm) | Rated T. (N*m) (kgf*cm) | Speed (rpm) | Condenser (μF) |
|----------|-----|-------------|----------------|-------------|----------------------------|----------------------------|-------------|----------------|
| K9I□90BJ | 単相 | 100 | 50 | 2.07 | 0.55 | 0.675/6.75 | 1300 | 30 |
| | | | 60 | 1.97 | 5.5 | 0.55/5.5 | 1600 | |
| K9I□90BU | | 110 | 60 | 1.47 | 0.44/4.4 | 0.55 | 1600 | 20 |
| | | 115 | | 1.52 | 0.485/4.85 | | | |
| K9I□90BL | | 200 | 50 | 0.75 | 0.5 | 0.675/6.75 | 1300 | 7 |
| | | | 60 | 0.97 | | 0.57/5.7 | 1550 | |
| K9I□90BC | | 220 | 50 | 0.8 | 0.45/4.5 | 0.675/6.75 | 1300 | 6 |
| | | | 60 | 0.9 | 0.5/5 | 0.57/5.7 | 1550 | |
| | | 230 | 50 | 0.87 | 0.55/5.5 | 0.675/6.75 | 1300 | |
| | | | 60 | 0.93 | | 0.57/5.7 | 1550 | |
| K9I□90BD | 240 | 50 | 0.85 | 0.5/5 | 0.675/6.75 | 1300 | 5 | |
| K9I□90BT | 三相 | 200 | 50 | 0.79 | 2.25/22.5 | 0.65/6.5 | 1350 | - |
| | | | 60 | 0.72 | 1.75/17.5 | 0.55/5.5 | 1600 | |
| K9I□90BH | | 220 | 50 | 0.72 | 2.35/23.5 | 0.65/6.5 | 1350 | - |
| | | | 60 | 0.63 | 1.8/18 | 0.55/5.5 | 1600 | |
| | | 230 | 50 | 0.86 | 2.45/24.5 | 0.65/6.5 | 1350 | |
| | | | 60 | 0.66 | 1.95/19.5 | 0.55/5.5 | 1600 | |
| K9I□90BM | | 380 | 50 | 0.43 | 2.35/23.5 | 0.65/6.5 | 1350 | - |
| | | | 60 | 0.37 | 1.7/17 | 0.55/5.5 | 1600 | |
| K9I□90BV | | 400 | 50 | 0.52 | 2.65/26.5 | 0.65/6.5 | 1350 | - |
| | | | 60 | 0.45 | 2.1/21 | 0.55/5.5 | 1600 | |
| K9I□90BQ | 415 | 50 | 0.39 | 2/20 | 0.68/6.8 | 1300 | - | |
| | | 60 | 0.31 | 1.5/15 | 0.55/5.5 | 1600 | | |
| K9I□90BZ | 440 | 50 | 0.45 | 2.1/21 | 0.68/6.8 | 1300 | - | |
| | | 60 | 0.39 | 1.7/17 | 0.55/5.5 | 1600 | | |

120W

| Model | | Voltage (V) | Frequency (Hz) | Current (A) | Start T. (N*m) (kgf*cm) | Rated T. (N*m) (kgf*cm) | Speed (rpm) | Condenser (μF) |
|-----------|-----|-------------|----------------|-------------|----------------------------|----------------------------|-------------|----------------|
| K9I□120BJ | 単相 | 100 | 50 | 2.2 | 0.6/6 | 0.9/9 | 1300 | 35 |
| | | | 60 | | 0.65/6.5 | 0.735/7.35 | 1600 | |
| K9I□120BU | | 110 | 60 | 2.13 | 0.65/6.6 | 0.735/7.35 | 1600 | 30 |
| | | 115 | | 2.3 | 0.7/7 | | | |
| K9I□120BL | | 200 | 50 | 1.07 | 0.65/6.5 | 0.9/9 | 1300 | 8.5 |
| | | | 60 | 1.22 | 0.6/6 | 0.755/7.55 | 1550 | 8 |
| K9I□120BC | | 220 | 50 | 0.82 | 0.55/5.5 | 0.9/9 | 1300 | 6 |
| | | | | 230 | 0.85 | | | |
| | | 230 | 60 | 1 | 0.6/6 | 0.735/7.35 | 1600 | 7 |
| | | | | 1.1 | 0.65/6.5 | | | |
| K9I□120BD | 240 | 50 | 0.9 | 0.6/6 | 0.9/9 | 1300 | 6 | |

モータの仕様は INDUCTION MOTORと同一です。適用 GEARHEAD K6G□B(C) SERIES です。

適用 GEARHEAD 及び減速比別出力 TORQUE 値を知りたい時は INDUCTION MOTORの RATED TORQUE OF GEARHEADを確認してください。

* □ : SHAFT 形状 (S : STRAIGHT, G : PINION)

OPEN TYPE MOTOR

SPECIFICATIONS

150W

| Model | | Voltage (V) | Frequency (Hz) | Current (A) | Start T. (N*m) (kgf*cm) | Rated T. (N*m) (kgf*cm) | Speed (rpm) | Condenser (μF) |
|-----------|-----|-------------|----------------|--------------|----------------------------|----------------------------|-------------|----------------|
| K9I□150BT | 三相 | 200 | 50 | 1.2 | 3.5 35 | 1.13 11.3 | 1300 | - |
| | | | 60 | 0.95 | 2.65 26.5 | 0.915 9.15 | 1600 | |
| K9I□150BH | | 220 | 50 | 0.99 | 2.95 29.5 | 1.13 11.3 | 1300 | - |
| | | | | 230 | 1.1 | | | |
| K9I□150BH | | 220 | 60 | 0.97 | 2.5 25 | 0.915 9.15 | 1600 | - |
| | | | | 230 | 1.02 | | | |
| K9I□150BM | | 380 | 50 | 0.57 | 3 30 | 1.13 11.3 | 1300 | - |
| | | | 60 | | 2.25 22.5 | 0.915 9.15 | 1600 | |
| K9I□150BV | | 400 | 50 | 0.6 | 3.5 35 | 1.13 11.3 | 1300 | - |
| | | | 60 | | 2.5 25 | 0.915 9.15 | 1600 | |
| K9I□150BQ | 415 | 50 | 0.57 | 3.15 31.5 | 1.13 11.3 | 1300 | - | |
| | | 60 | 0.42 | 2.35 23.5 | 0.915 9.15 | 1600 | | |
| K9I□150BZ | 440 | 50 | 0.53 | 3.3 33 | 1.085 10.85 | 1350 | - | |
| | | 60 | 0.44 | 2.6 26 | 0.915 9.15 | 1600 | | |

モータの仕様は INDUCTION MOTORと同一です。適用 GEARHEAD K6G□B(C) SERIES です。

適用 GEARHEAD 及び減速比別出力 TORQUE 値を知りたい時は INDUCTION MOTORの RATED TORQUE OF GEARHEADを確認してください。

* □ : SHAFT 形状 (S : STRAIGHT, G : PINION)

OPEN TYPE MOTOR

SPECIFICATIONS

180W

| Model | Voltage (V) | Frequency (Hz) | Current (A) | Start T. (N*m) (kgf*cm) | Rated T. (N*m) (kgf*cm) | Speed (rpm) | Condenser (μF) |
|-----------|-------------|----------------|-------------|----------------------------|----------------------------|-------------|----------------|
| | | | | | | | |
| K9I□180BJ | 100 | 50 | 3.43 | 0.9 9 | 1.35 13.5 | 1300 | 50 |
| | | 60 | 3.7 | 1 10 | 1.1 11 | 1600 | |
| K9I□180BU | 110 | 60 | 2.85 | 0.8 8 | 1.1 11 | 1600 | 35 |
| | 115 | | 3.06 | | | | |
| K9I□180BL | 200 | 50 | 1.47 | 0.73 7.3 | 1.35 13.5 | 1300 | 12 |
| | | 60 | 1.43 | 0.65 6.5 | 1.1 11 | 1600 | |
| K9I□180BC | 220 | 50 | 1.58 | 0.7 7 | 1.35 13.5 | 1300 | 8 |
| | | 60 | 1.38 | 0.65 6.5 | 1.1 11 | 1600 | |
| | 230 | 50 | 1.7 | 0.75 7.5 | 1.35 13.5 | 1300 | |
| | | 60 | 1.54 | 0.7 7 | 1.1 11 | 1600 | |
| K9I□180BD | 240 | 50 | 1.2 | 0.8 8 | 1.35 13.5 | 1300 | 8 |

200W

| Model | Voltage (V) | Frequency (Hz) | Current (A) | Start T. (N*m) (kgf*cm) | Rated T. (N*m) (kgf*cm) | Speed (rpm) | Condenser (μF) |
|-----------|-------------|----------------|-------------|----------------------------|----------------------------|-------------|----------------|
| | | | | | | | |
| K9I□200BT | 200 | 50 | 1.62 | 4 40 | 1.5 15 | 1300 | - |
| | | 60 | 1.29 | 3.15 31.5 | 1.22 12.2 | 1600 | |
| K9I□200BH | 220 | 50 | 1.36 | 4.25 42.5 | 1.45 14.5 | 1350 | - |
| | | 60 | 1.06 | 3.4 34 | 1.22 12.2 | 1600 | |
| | 230 | 50 | 1.51 | 4.3 43 | 1.45 14.5 | 1350 | - |
| | | 60 | 1.15 | 3.5 35 | 1.22 12.2 | 1600 | |
| K9I□200BM | 380 | 50 | 0.81 | 4.3 43 | 1.45 14.5 | 1350 | - |
| | | 60 | 0.58 | 3.6 36 | 1.22 12.2 | 1600 | |
| K9I□200BV | 400 | 50 | 0.91 | 4.5 45 | 1.45 14.5 | 1350 | - |
| | | 60 | 0.67 | 4 40 | 1.22 12.2 | 1600 | |
| K9I□200BQ | 415 | 50 | 0.62 | 3.8 38 | 1.5 15 | 1300 | - |
| | | 60 | 0.58 | 3 30 | 1.26 12.6 | 1550 | |
| K9I□200BZ | 440 | 50 | 0.68 | 4.1 41 | 1.5 15 | 1300 | - |
| | | 60 | 0.54 | 3 30 | 1.22 12.2 | 1600 | |

モータの仕様は INDUCTION MOTORと同一です。適用 GEARHEAD K6G□B(C) SERIES です。

適用 GEARHEAD 及び減速比別出力 TORQUE 値を知りたい時は INDUCTION MOTORの RATED TORQUE OF GEARHEADを確認してください。

* □ : SHAFT 形状 (S : STRAIGHT, G : PINION)

