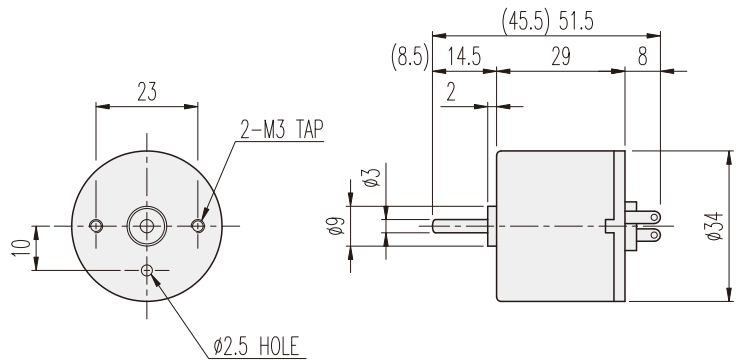


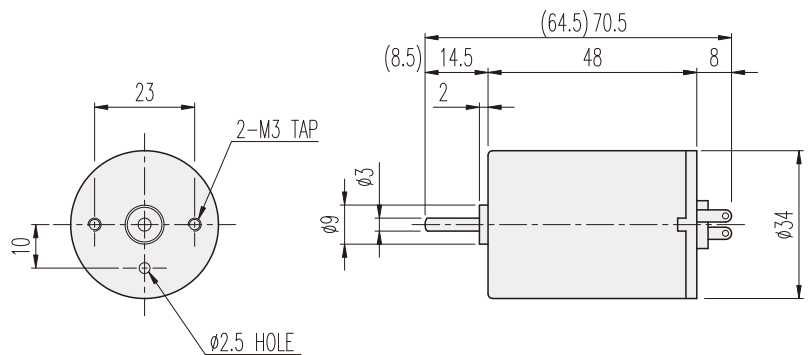
## KD□-34□□-TYPE

### DIMENSIONS

#### KD□ -3429 SERIES



#### KD□ -3448 SERIES



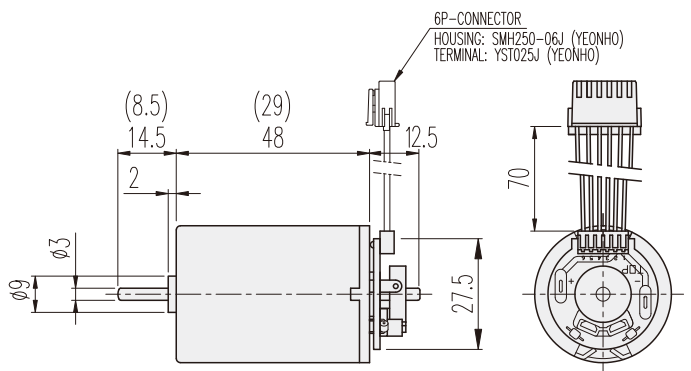
#### KD□ -3429 & 3448 ENCODER SERIES



6P-CONNECTOR  
Wire connection contents

No.1	Wire connection contents	Remarks
1	DC MOOTR (+) Voltage	In case of supplying power MOTOR CCW-Turning
2	DC MOOTR (-) Voltage	
3	H/SENSOR (+) Voltage	Vcc (+) DC 5 ~ 24V
4	H/SENSOR (-) Voltage	GROUND
5	H/SENSOR #1 OUT	OPEN COLLECTOR MAX. DC 24V -50mA
6	H/SENSOR #1 OUT	

20Pole 10Pulse INCREMENTAL TYPE



#### PERFORMANCE DATA

MODEL	ITEM	VOLTAGE (DC)	NO LOAD		AT MAX. EFF.		STALL		WEIGHT (g)
			mA	rpm	gf-cm	A	rpm	A	
90	KD3429S1	12V	120	5200	40	0.3	4500	1.7	360
	KD3429S2	24V	70	5200	40	0.2	4500	1	370
	KD3429T1	12V	150	7500	40	0.5	6500	3.8	420
	KD3429T2	24V	80	7500	40	0.2	6500	1.2	320
140	KD3429P1	12V	200	9500	80	1	8000	3.8	330
	KD3429P2	24V	100	9500	40	0.3	8000	2	350
	KD3448S1	12V	150	5200	80	0.5	4500	3.2	830
	KD3448S2	24V	80	5200	80	0.3	4500	2	790
	KD3448T1	12V	220	7500	80	0.7	6500	5	730
	KD3448T2	24V	100	7500	80	0.4	6500	3	700
	KD3448P1	12V	300	9000	80	0.8	8000	5.5	670
	KD3448P2	24V	200	9000	80	0.5	8000	3.5	750