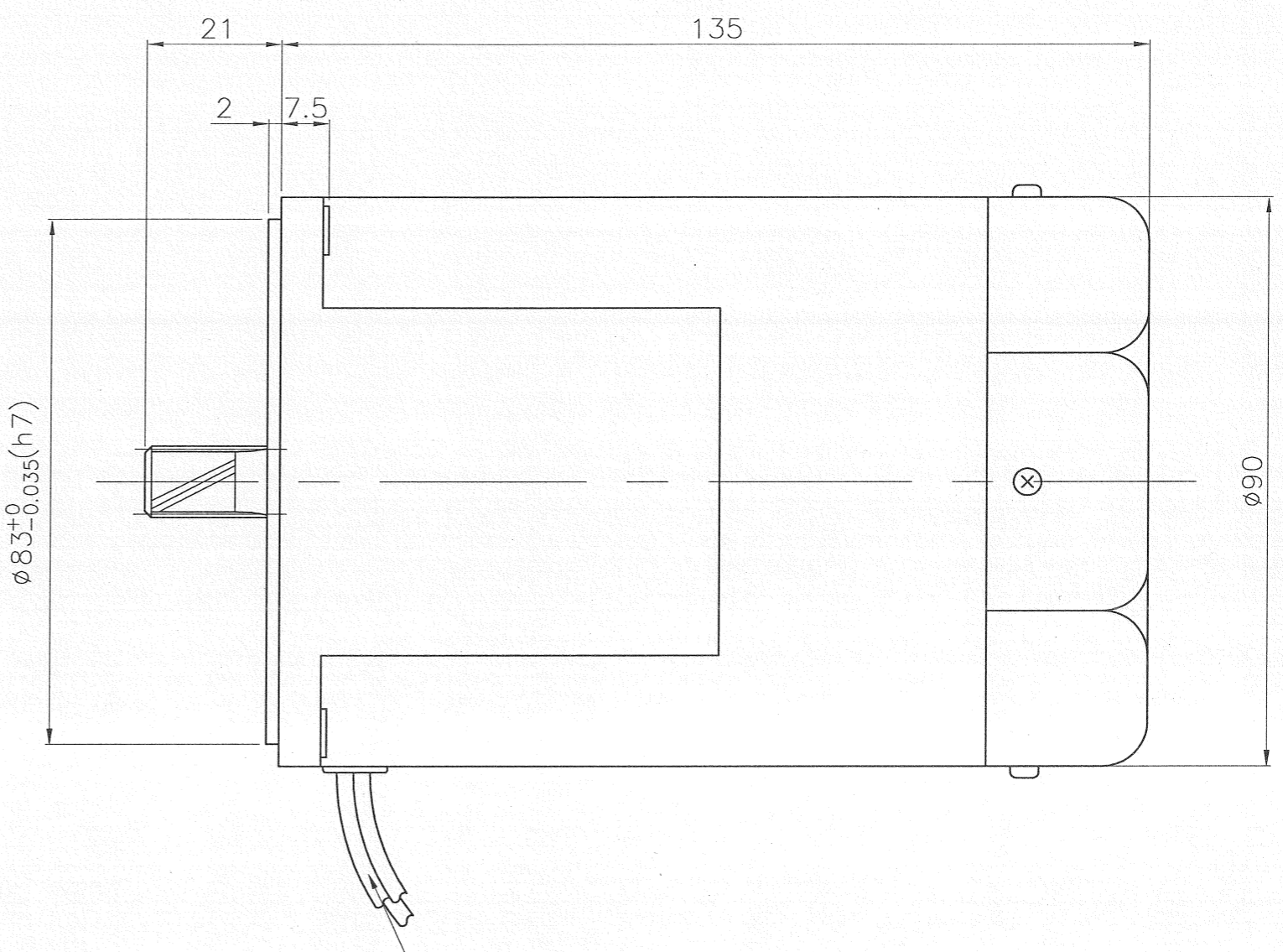
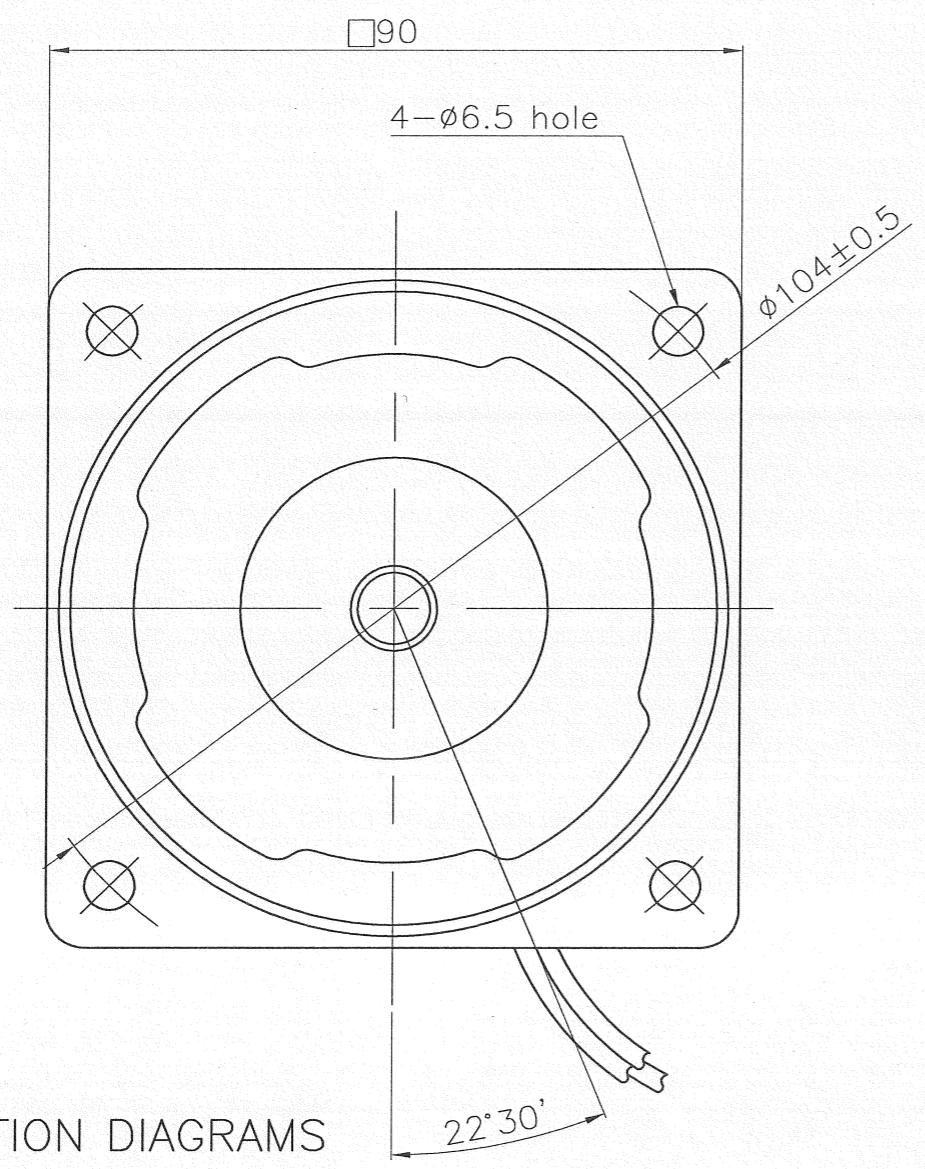


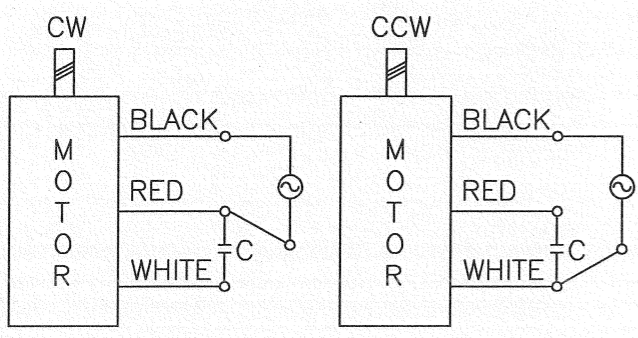
No.	REMARK	REVISION No.	SIGN



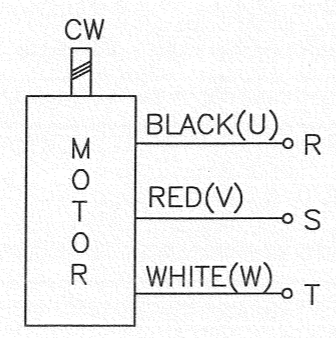
MOTOR LEAD WIRE 300mm  
UL Style 3271 , AWG20

■ CONNECTION DIAGRAMS

SINGLE-PHASE MOTOR



THREE-PHASE MOTOR

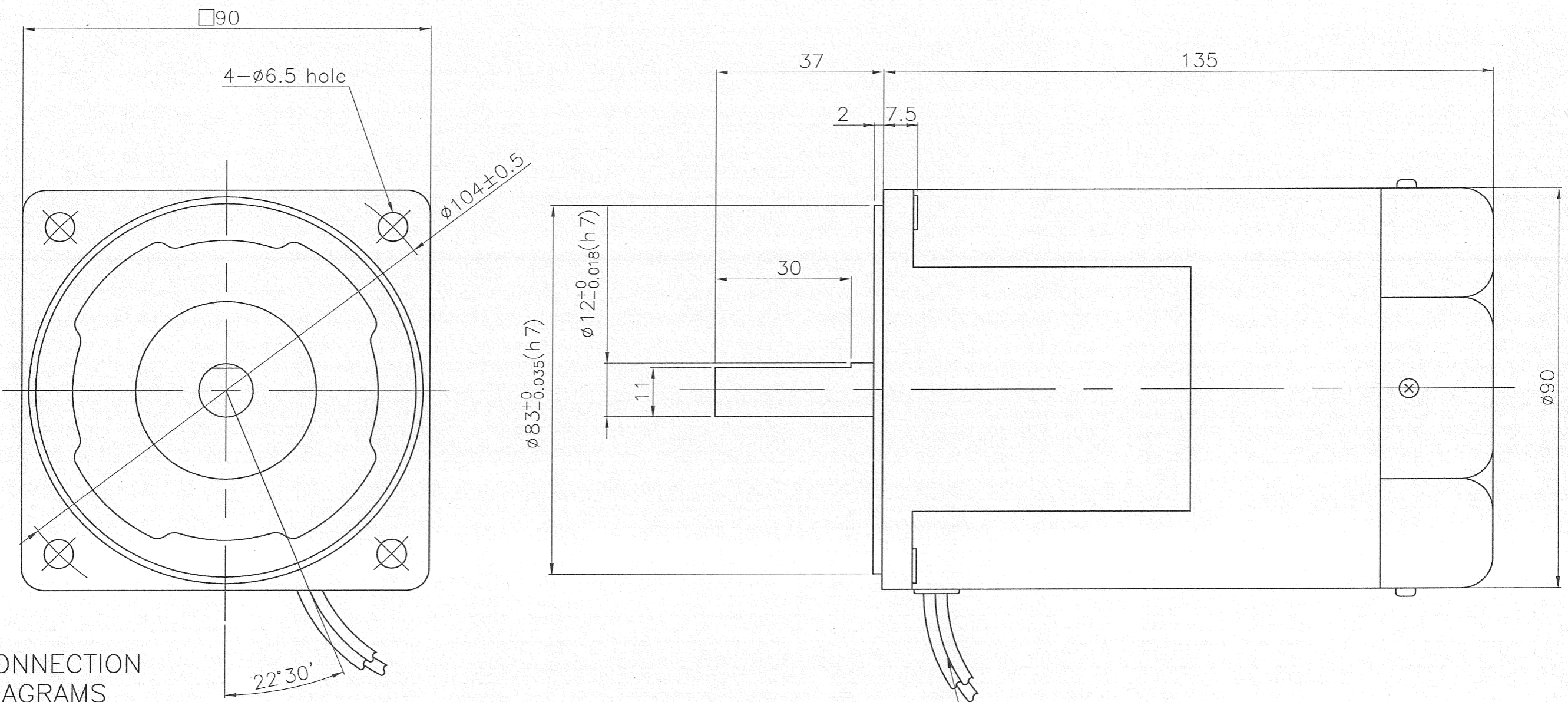


CCW :  
To change  
any two connections  
among U, V and W.

- \* CW=Clock Wise, CCW=Counter Clock Wise
- \* The Direction of motor rotation is as viewed from the front shaft end of the motor.
- \* C = Capacitor = Condenser

DRAW	12. 11. 7	SCALE : 1/1	PART NAME	OUTLINE
DESIGNED		UNIT : mm	APPLICATION MODEL	K9□P90F□
CHECKED				K9□P120F□ (For 60Hz)
APPROVED				K9□P150F□ (For 60Hz)
 GLOBAL GEARED MOTOR			RELATION DWG.	DWG NO.
				2-OL-00028

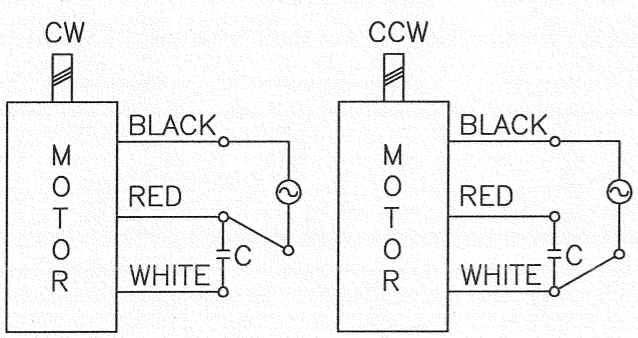
No.	REMARK	REVISION No.	SIGN



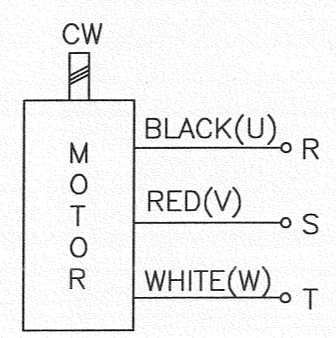
MOTOR LEAD WIRE 300mm  
UL Style 3271, AWG20

■ CONNECTION DIAGRAMS

SINGLE-PHASE MOTOR



THREE-PHASE MOTOR

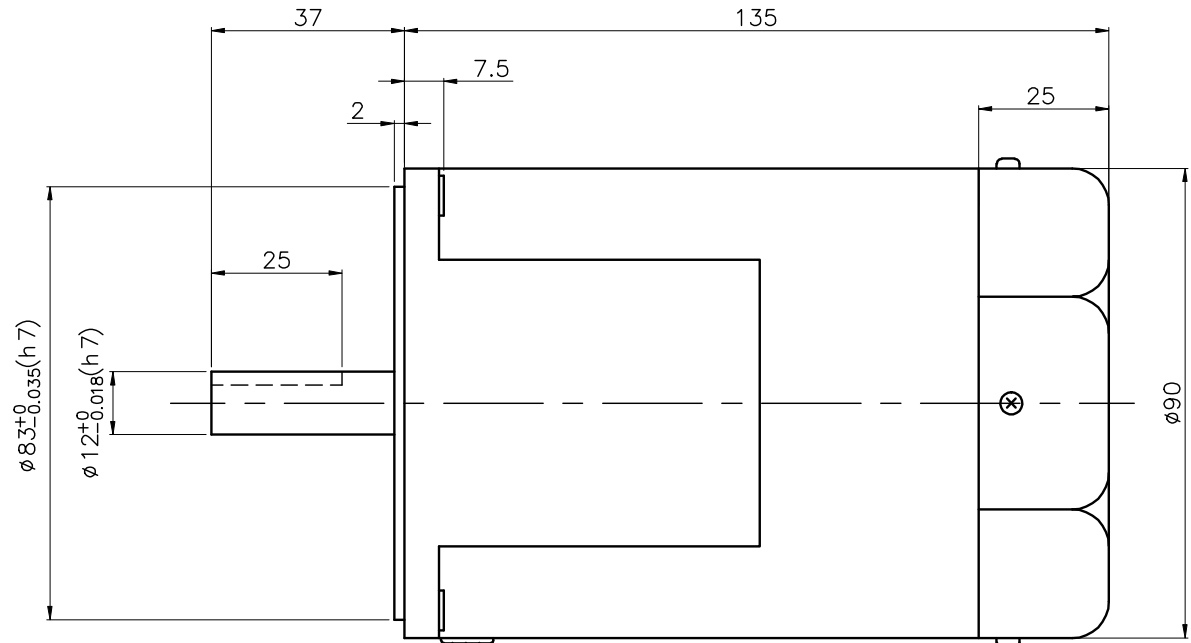
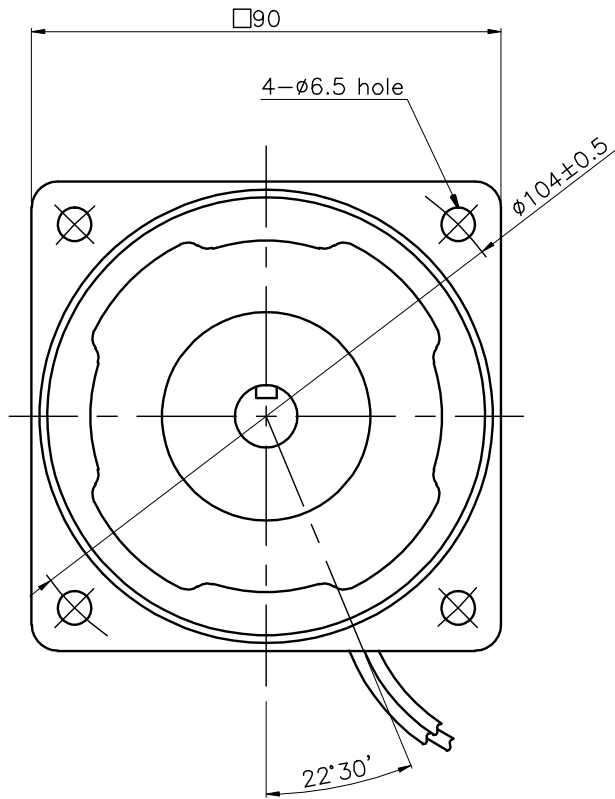


CCW :  
To change  
any two connections  
among U, V and W.

\* CW=Clock Wise, CCW=Counter Clock Wise  
\* The Direction of motor rotation is as viewed from the front shaft end of the motor.  
\* C = Capacitor = Condenser

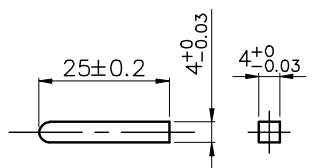
DRAW	12. 11. 7	SCALE : 1/1	PART NAME	OUTLINE
DESIGNED		UNIT : mm	APPLICATION MODEL	K9□S90F□, K9□S120F□(For 60Hz)
CHECKED				K9□S150F□(For 60Hz), K9IS150F□ -2P
APPROVED			RELATION DWG.	DWG NO.
<b>G G M</b> GLOBAL GEARED MOTOR				

No.	REMARK	REVISION No.	SIGN

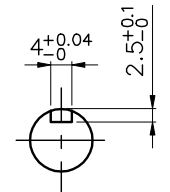


MOTOR LEAD WIRE 300mm  
UL Style 3271, AWG20

● KEY



● KEY GROOVE



DRAW	09. 7. 6	SCALE : 1/1	PART NAME	OUTLINE
DESIGNED		UNIT : mm	APPLICATION MODEL	K9IK90F□ , K9IK120F□ (60Hz), K9IK150F□ (60Hz), K9RK90F□ , K9RK120F□ (60Hz)
CHECKED			RELATION DWG.	
APPROVED			DWG NO.	2-OL-00225