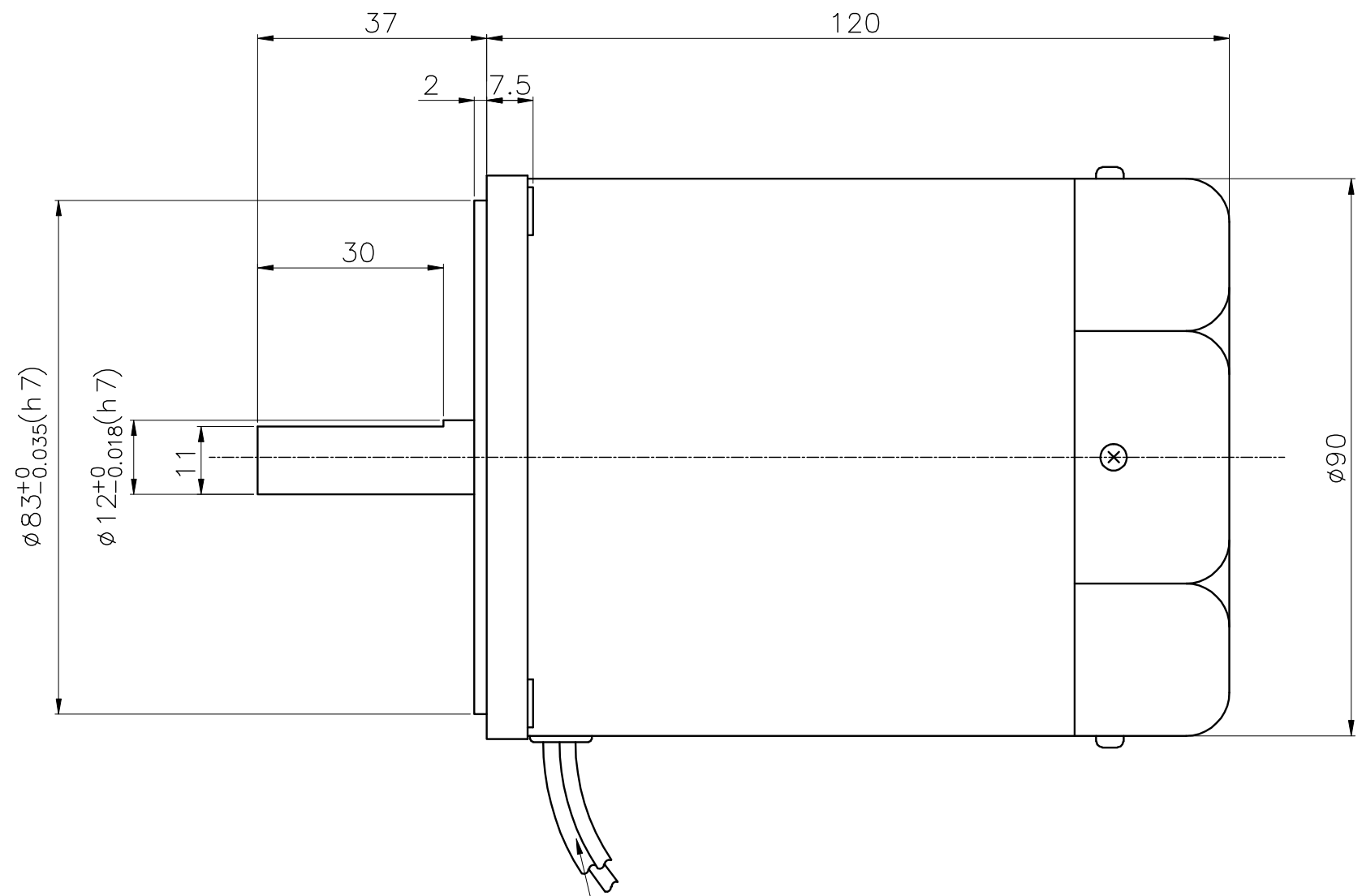
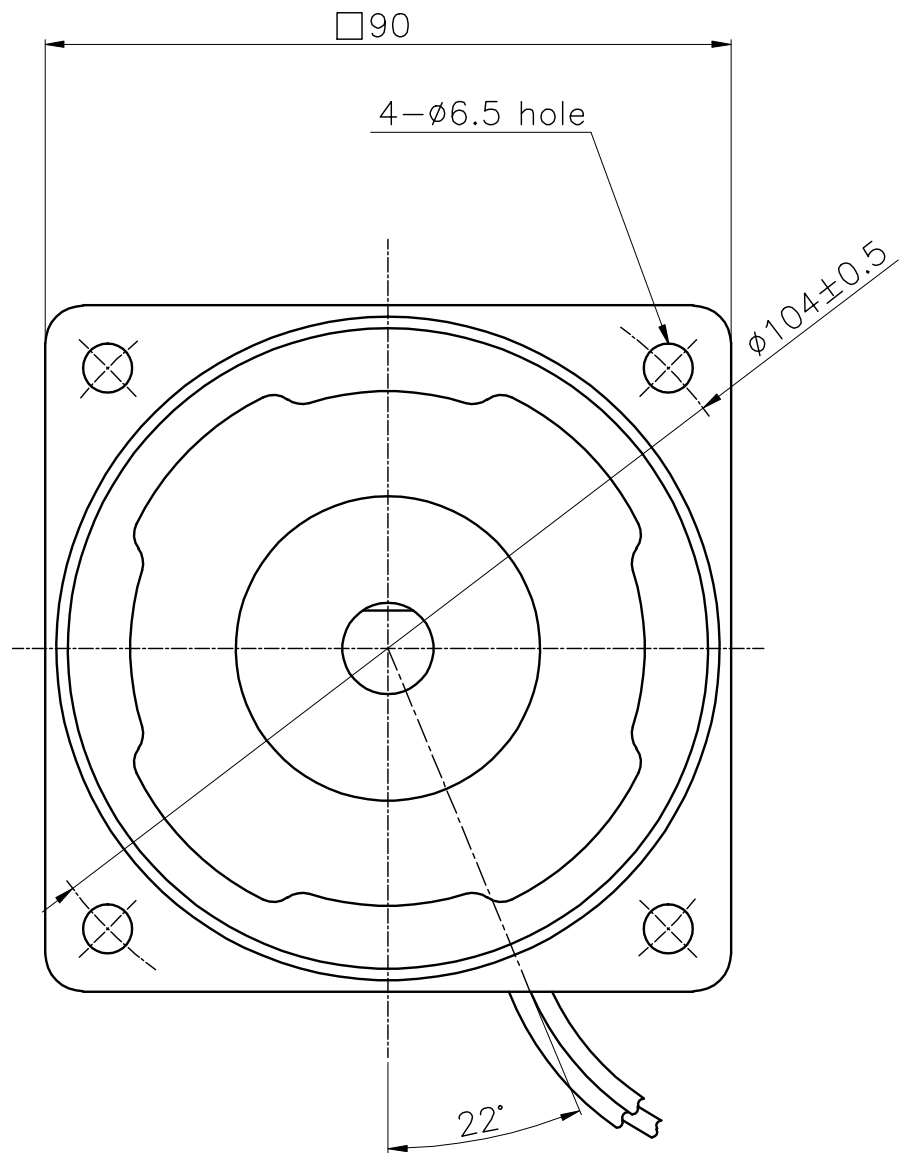


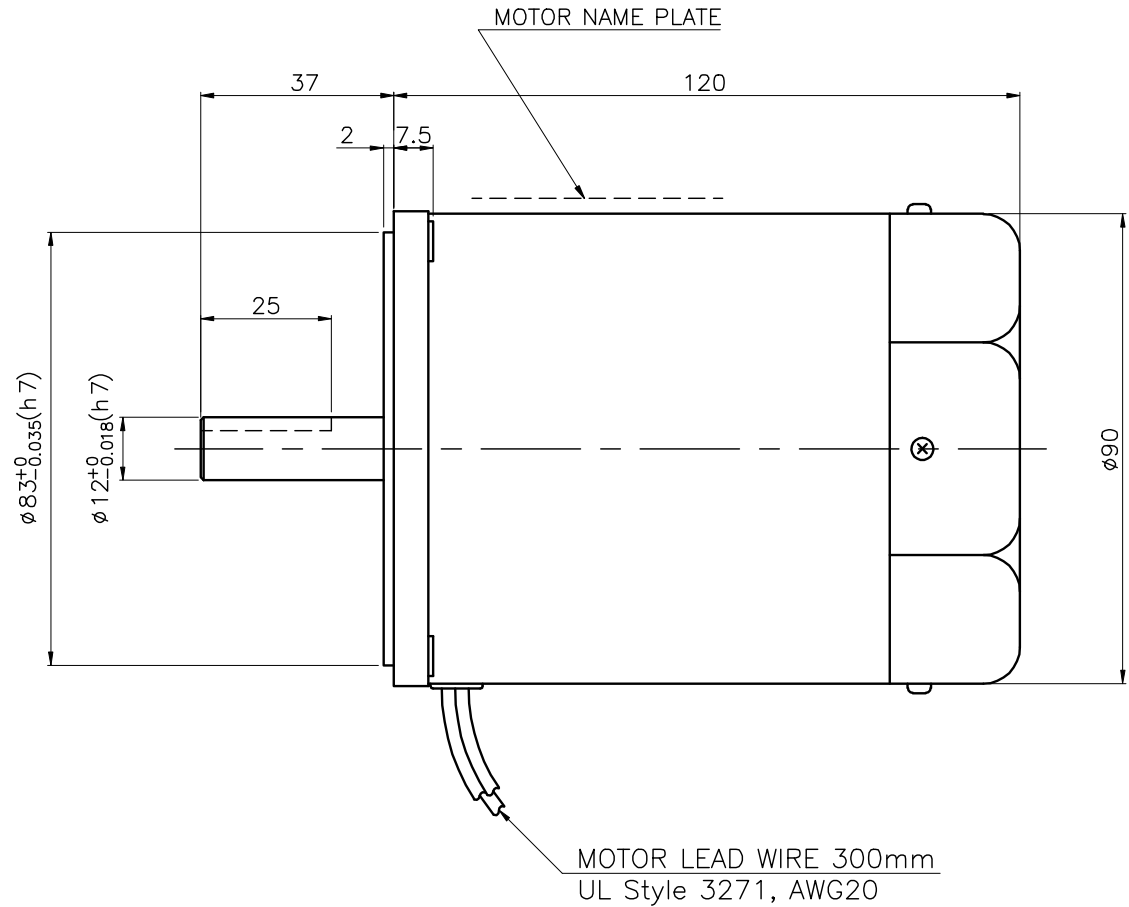
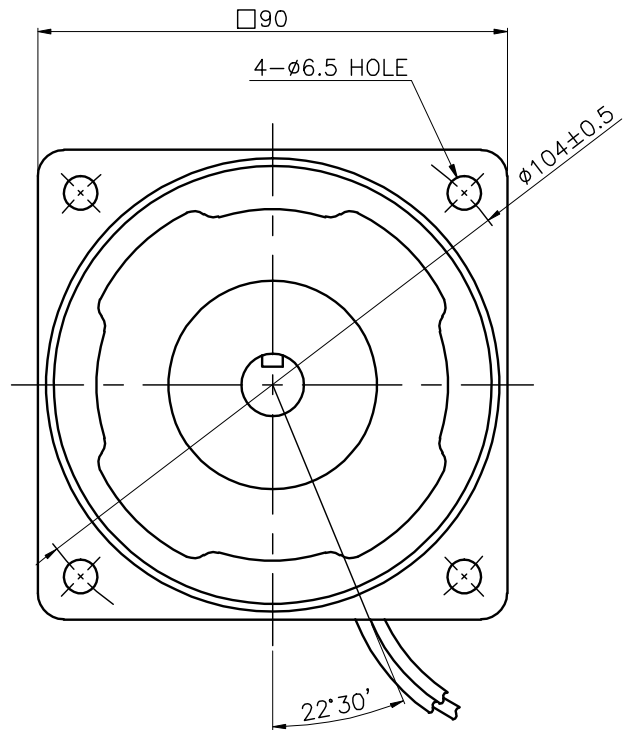
No.	REMARK	REVISION No.	SIGN



MOTOR LEAD WIRE 300mm
UL Style 3271, AWG20

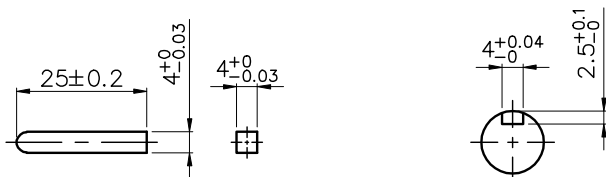
DRAW	10. 8. 13	SCALE : 1/1	PART NAME	OUTLINE
DESIGNED		UNIT : mm	APPLICATION MODEL	K9IS90FC-2P
CHECKED			DWG NO.	2-OL-00959
APPROVED		RELATION DWG.		
GGM GLOBAL GEARED MOTOR				

No.	REMARK	REVISION No.	SIGN



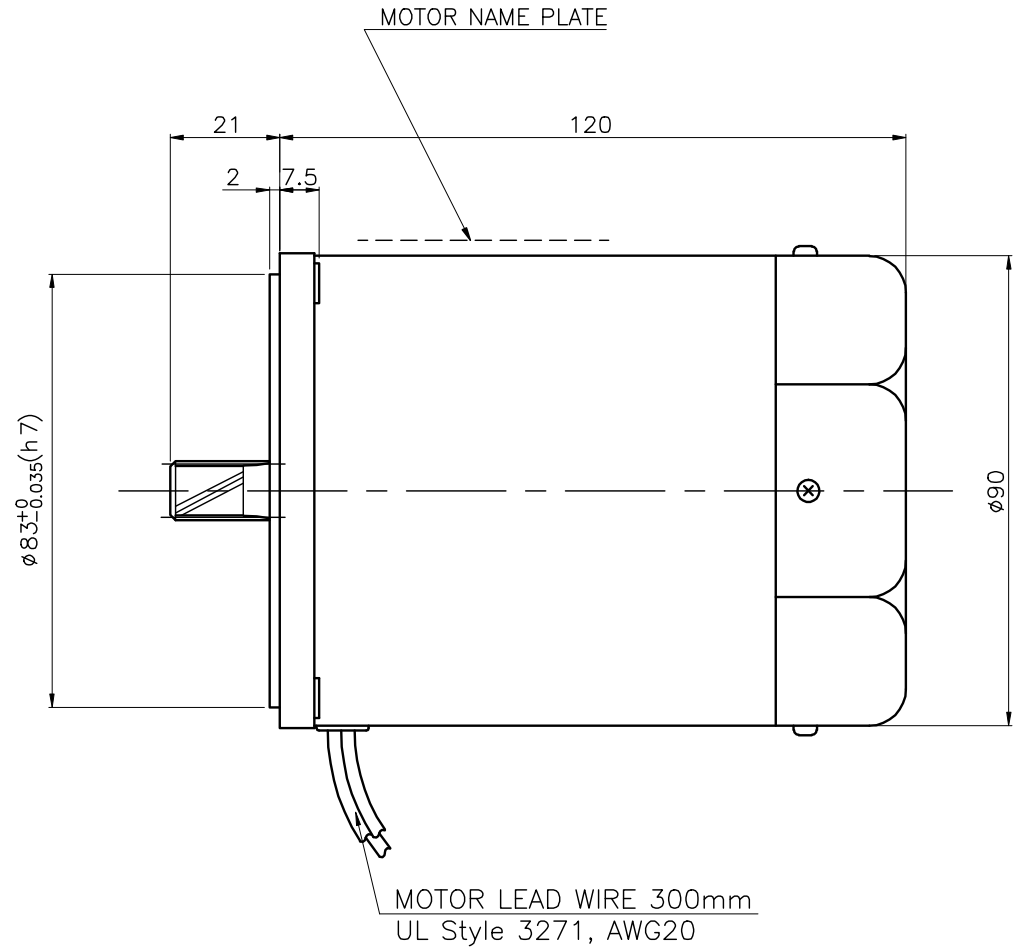
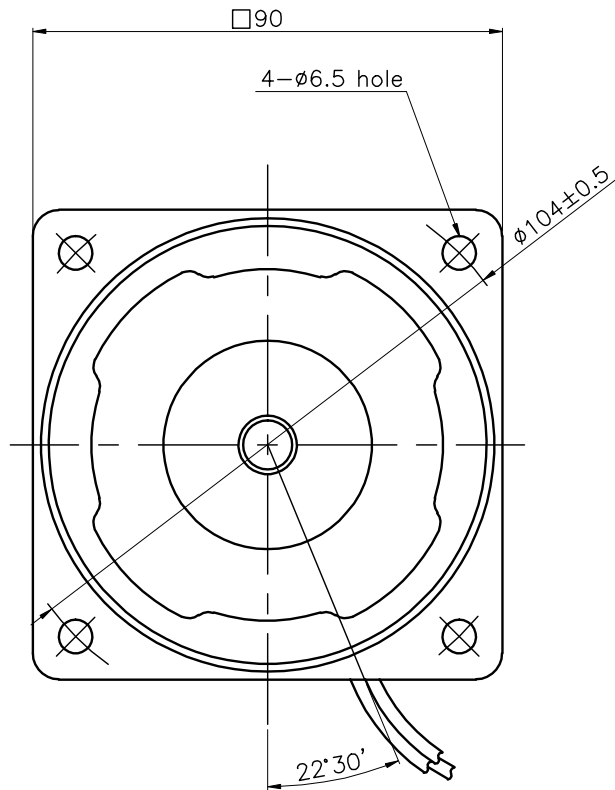
● KEY

● KEY GROOVE



DRAW	14.04.21	김성진	SCALE : 1/1	PART NAME	OUTLINE
DESIGNED	16.08.25	김대연	UNIT : mm	APPLICATION MODEL	K91K90F□ - 2P
CHECKED				RELATION DWG.	DWG NO.
APPROVED					2-OL-00473

No.	REMARK	REVISION No.	SIGN



2-OL-00995 변경 동 의 함 .

DRAW	14. 4. 21	SCALE : 1/1	PART NAME	OUTLINE
DESIGNED	14. 4. 21	UNIT : mm	APPLICATION MODEL	K9IP90F□ -2P
CHECKED			RELATION DWG.	DWG NO.
APPROVED				2-OL-00472