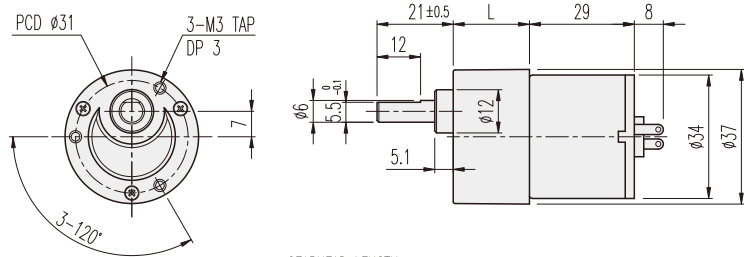


KGC-TYPE

DIMENSIONS

KGC-3429 SERIES



GEARHEAD LENGTH

RATIO	L
1/002 ~ 1/030	21
1/040 ~ 1/180	29
1/200 ~ 1/2430	33.7

AT MAXIMUM EFFICIENCY (KGC-□□□□-KD3429□□)

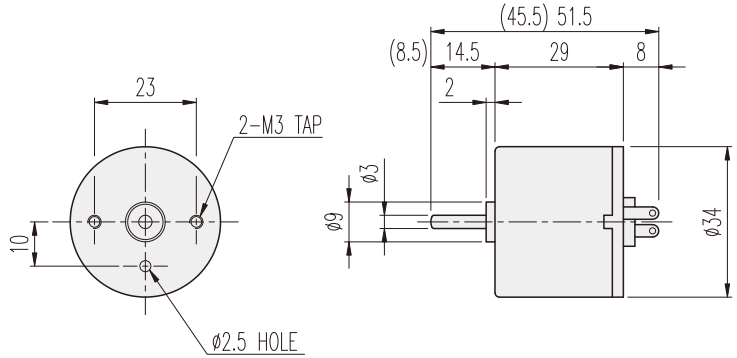
GEAR	MODEL		KD3429S1		KD3429S2		KD3429T1		KD3429T2		KD3429P1		KD3429P2	
			DC 12V		DC 24V		DC 12V		DC 24V		DC 12V		DC 24V	
	rpm	kgf-cm	rpm	kgf-cm	rpm	kgf-cm	rpm	kgf-cm	rpm	kgf-cm	rpm	kgf-cm	rpm	kgf-cm
1/0002	2250	0.06	2250	0.06	3250	0.06	3250	0.06	4000	0.13	4000	0.06		
1/0003	1500	0.1	1500	0.1	2166	0.1	2166	0.1	2166	0.2	2166	0.1		
1/0005	900	0.16	900	0.16	1300	0.16	1300	0.16	1600	0.3	1600	0.16		
1/0010	450	0.29	450	0.29	650	0.29	650	0.29	800	0.65	800	0.29		
1/0015	300	0.44	300	0.44	433	0.44	433	0.44	533.3	0.87	533.3	0.44		
1/0020	225	0.58	225	0.58	325	0.58	325	0.58	400	1.16	400	0.58		
1/0025	180	0.7	180	0.7	260	0.7	260	0.7	320	1.46	320	0.7		
1/0030	150	0.9	150	0.9	217	0.9	217	0.9	267	1.75	267	0.9		
1/0040	112.5	1	112.5	1	163	1	163	1	200	2.1	200	1		
1/0050	90	1.3	90	1.3	130	1.3	130	1.3	160	2.6	160	1.3		
1/0060	75	1.6	75	1.6	108	1.6	108	1.6	133	3.15	133	1.6		
1/0070	64.3	1.65	64.3	1.65	93	1.65	93	1.65	114	3.67	114	1.65		
1/0083	54.2	1.95	54.2	1.95	78	1.95	78	1.95	96	3.9	96	1.95		
1/0090	50	2.1	50	2.1	72	2.1	72	2.1	89	4.7	89	2.1		
1/0100	45	2.3	45	2.3	65	2.3	65	2.3	80	4.7	80	2.3		
1/0120	37.5	2.8	37.5	2.8	54	2.8	54	2.8	67	5.7	67	2.8		
1/0150	30	3.5	30	3.5	43	3.5	43	3.5	53	6	53	3.5		
1/0180	25	4.2	25	4.2	36	4.2	36	4.2	44	6	44	4.2		
1/0200	22.5	4.7	22.5	4.7	32.5	4.7	32.5	4.7	40	6	40	4.7		
1/0210	21.4	4.9	21.4	4.9	31	4.9	31	4.9	38	6	38	4.9		
1/0240	18.7	5.1	18.7	5.1	27	5.1	27	5.1	33	6	33	5.1		
1/0300	15	6	15	6	21.6	6	21.6	6	26.7	6	26.7	6		
1/0360	12.5	6	12.5	6	18	6	18	6	22.2	6	22.2	6		
1/0400	11.2	6	11.2	6	16.2	6	16.2	6	20	6	20	6		
1/0500	9	6	9	6	13	6	13	6	16	6	16	6		
1/0600	7.5	6	7.5	6	10.8	6	10.8	6	13.3	6	13.3	6		
1/0750	6	6	6	6	8.7	6	8.7	6	10.6	6	10.6	6		
1/0900	5	6	5	6	7.2	6	7.2	6	8.9	6	8.9	6		
1/1080	4.1	6	4.1	6	6	6	6	6	7.4	6	7.4	6		
1/1350	3.3	6	3.3	6	4.8	6	4.8	6	5.9	6	5.9	6		
1/1620	2.8	6	2.8	6	4	6	4	6	4.9	6	4.9	6		
1/2430	1.8	6	1.8	6	2.7	6	2.7	6	3.3	6	3.3	6		

* 색상의 감속비는 MOTOR와 출력축의 회전방향이 같습니다.

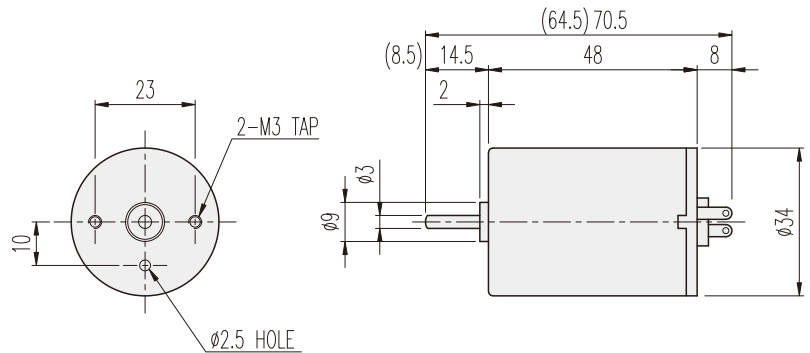
KD□-34□□-TYPE

DIMENSIONS

KD3429□□ SERIES



KD3448□□ SERIES



ENCODER SERIES

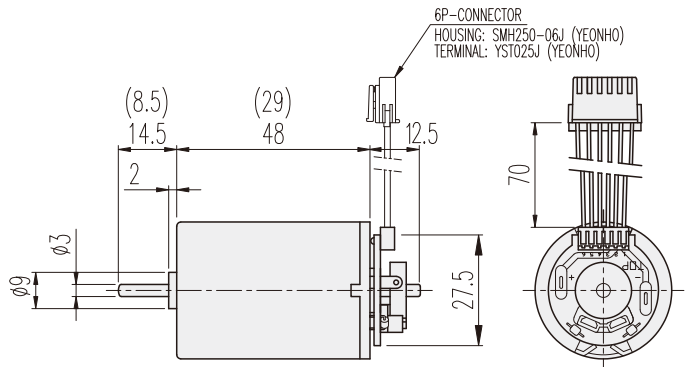
KD3429□□-E & 3448□□-E



6P-CONNECTOR 결선내용

No.1	연결내용	비고
1	DC MOTOR (+) 전원	전원 공급시
2	DC MOTOR (-) 전원	MOTOR CCW-회전
3	H/SENSOR (+) 전원	Vcc (+) DC5~24V
4	H/SENSOR (-) 전원	GROUND
5	H/SENSOR #1 OUT	OPEN COLLECTOR
6	H/SENSOR #1 OUT	MAX. DC24V -50mA

20극 10펄스 INCREMENTAL TYPE



PERFORMANCE DATA

MODEL	ITEM	VOLTAGE (DC)	NO LOAD		AT MAX. EFF.			STALL		WEIGHT (g)
			mA	rpm	gf-cm	A	rpm	A	gf-cm	
KD3429S1		12V	120	5200	40	0.3	4500	1.7	360	90
KD3429S2		24V	70	5200	40	0.2	4500	1	370	
KD3429T1		12V	150	7500	40	0.5	6500	3.8	420	
KD3429T2		24V	80	7500	40	0.2	6500	1.2	320	
KD3429P1		12V	200	9500	80	1	8000	3.8	330	
KD3429P2		24V	100	9500	40	0.3	8000	2	350	
KD3448S1		12V	150	5200	80	0.5	4500	3.2	830	140
KD3448S2		24V	80	5200	80	0.3	4500	2	790	
KD3448T1		12V	220	7500	80	0.7	6500	5	730	
KD3448T2		24V	100	7500	80	0.4	6500	3	700	
KD3448P1		12V	300	9000	80	0.8	8000	5.5	670	
KD3448P2		24V	200	9000	80	0.5	8000	3.5	750	