

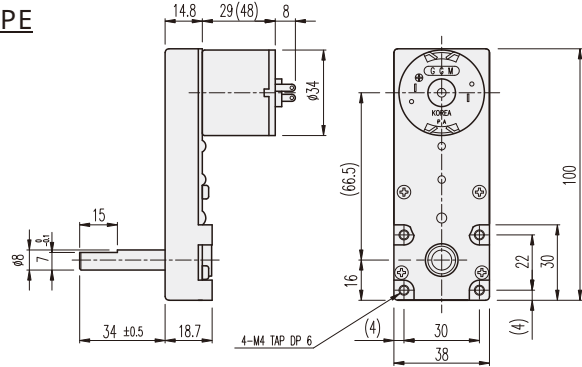
## KGF-TYPE

### DIMENSIONS

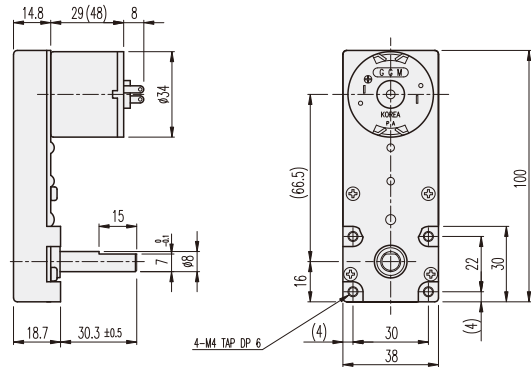
#### KGF SERIES



**F TYPE**



**R TYPE**



#### AT MAXIMUM EFFICIENCY (KGF-□□□□-KD3429□□)

GEAR	MODEL	KD3429S1		KD3429S2		KD3429T1		KD3429T2		KD3429P1		KD3429P2	
		DC 12V		DC 24V		DC 12V		DC 24V		DC 12V		DC 24V	
		rpm	kgf-cm	rpm	kgf-cm	rpm	kgf-cm	rpm	kgf-cm	rpm	kgf-cm	rpm	kgf-cm
1/0057		79	1.3	79	1.3	114	1.3	114	1.3	140	2.6	140	1.3
1/0100		45	2.4	45	2.4	65	2.4	65	2.4	80	4.8	80	2.4
1/0130		34.6	3.1	34.6	3.1	50	3.1	50	3.1	61.5	6.2	61.5	3.1
1/0188		23.9	4.4	23.9	4.4	34.6	4.4	34.6	4.4	42.6	8.8	42.6	4.4
1/0255		17.6	6	17.6	6	25.5	6	25.5	6	31.4	12	31.4	6

#### AT MAXIMUM EFFICIENCY (KGF-□□□□-KD3448□□)

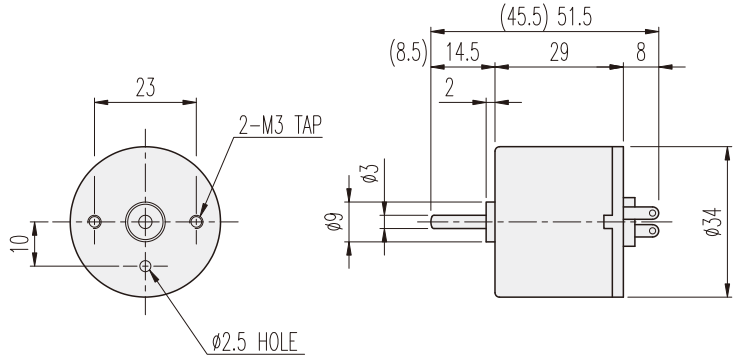
GEAR	MODEL	KD3448S1		KD3448S2		KD3448T1		KD3448T2		KD3448P1		KD3448P2	
		DC 12V		DC 24V		DC 12V		DC 24V		DC 12V		DC 24V	
		rpm	kgf-cm	rpm	kgf-cm	rpm	kgf-cm	rpm	kgf-cm	rpm	kgf-cm	rpm	kgf-cm
1/0057		79	2.6	79	2.6	114	2.6	114	2.6	140	2.6	140	2.6
1/0100		45	4.8	45	4.8	65	4.8	65	4.8	80	4.8	80	4.8
1/0130		34.6	6.2	34.6	6.2	50	6.2	50	6.2	61.5	6.2	61.5	6.2
1/0188		23.9	8.8	23.9	8.8	34.6	8.8	34.6	8.8	42.6	8.8	42.6	8.8
1/0255		17.6	12	17.6	12	25.5	12	25.5	12	31.4	12	31.4	12

\* 감속비전체 MOTOR와 출력축의 회전방향이 반대입니다.  
\* 표준은 R - TYPE 입니다.

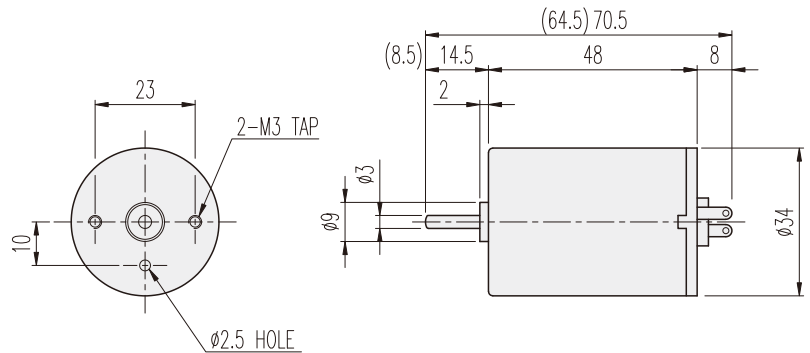
## KD□-34□□-TYPE

### DIMENSIONS

#### KD3429□□ SERIES



#### KD3448□□ SERIES



#### ENCODER SERIES

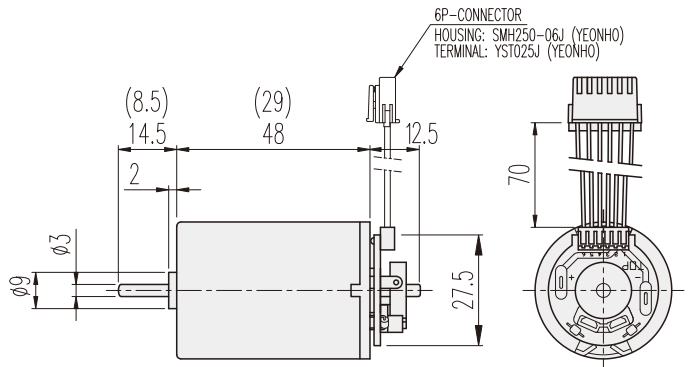
#### KD3429□□-E & 3448□□-E



6P-CONNECTOR 결선내용

No.1	연결내용	비고
1	DC MOTOR (+) 전원	전원 공급시
2	DC MOTOR (-) 전원	MOTOR CCW-회전
3	H/SENSOR (+) 전원	Vcc (+) DC5~24V
4	H/SENSOR (-) 전원	GROUND
5	H/SENSOR #1 OUT	OPEN COLLECTOR
6	H/SENSOR #1 OUT	MAX. DC24V -50mA

20극 10펄스 INCREMENTAL TYPE



#### PERFORMANCE DATA

MODEL	ITEM	VOLTAGE (DC)	NO LOAD		AT MAX. EFF.			STALL		WEIGHT (g)
			mA	rpm	gf-cm	A	rpm	A	gf-cm	
KD3429S1		12V	120	5200	40	0.3	4500	1.7	360	90
KD3429S2		24V	70	5200	40	0.2	4500	1	370	
KD3429T1		12V	150	7500	40	0.5	6500	3.8	420	
KD3429T2		24V	80	7500	40	0.2	6500	1.2	320	
KD3429P1		12V	200	9500	80	1	8000	3.8	330	
KD3429P2		24V	100	9500	40	0.3	8000	2	350	
KD3448S1		12V	150	5200	80	0.5	4500	3.2	830	140
KD3448S2		24V	80	5200	80	0.3	4500	2	790	
KD3448T1		12V	220	7500	80	0.7	6500	5	730	
KD3448T2		24V	100	7500	80	0.4	6500	3	700	
KD3448P1		12V	300	9000	80	0.8	8000	5.5	670	
KD3448P2		24V	200	9000	80	0.5	8000	3.5	750	