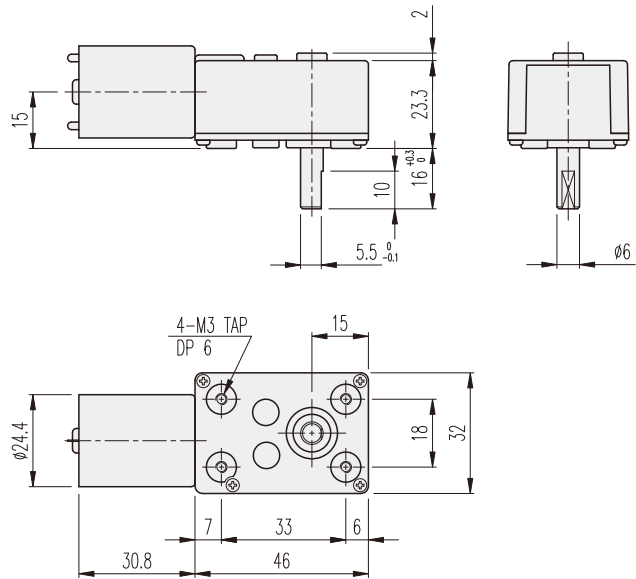
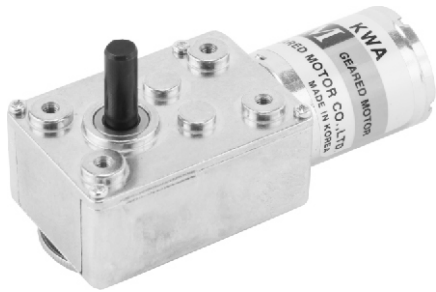


### DIMENSIONS

#### KWA SERIES



#### MOTOR PERFORMANCE DATA

MODEL	ITEM	VOLTAGE (DC)	NO LOAD		AT MAX. EFF.			STALL		WEIGHT (g)
			mA	rpm	gf-cm	mA	rpm	A	gf-cm	
KD2531U1		12V	60	6500	27	300	4700	1.4	140	48
KD2531U2		24V	30	6500	27	160	5100	0.7	140	

#### AT MAXIMUM EFFICIENCY (KWA-□□□□-KD2531U□)

GEAR	MODEL	KD2531U1		KD2531U2	
		DC 12V		DC 24V	
		rpm	kgf-cm	rpm	kgf-cm
	1/0076	61.8	0.4	61.8	0.4
	1/0095	49.4	0.5	49.4	0.5
	1/0123	38.2	0.6	38.2	0.6
	1/0150	31.3	0.8	31.3	0.8
	1/0175	26.8	0.9	26.8	0.9
	1/0200	23.5	1	23.5	1
	1/0255	18.4	1.3	18.4	1.3
	1/0290	16.2	1.4	16.2	1.4
	1/0380	12.3	1.8	12.3	1.8
	1/0650	7.2	3.1	7.2	3.1
	1/0940	5	4	5	4
	1/1650	2.8	6	2.8	6

\*  색상의 감속비의 회전방향은 CW. [ MOTOR의 (+)단자에 (+)전원인가시 ]