

BRUSHLESS DC MOTOR UNIT - X Series

IEC
TYPE

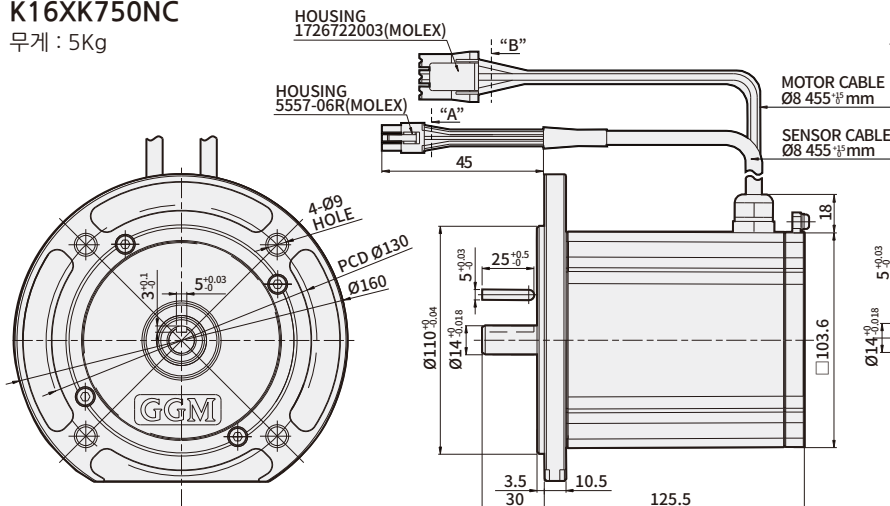
Ø160



DIMENSIONS

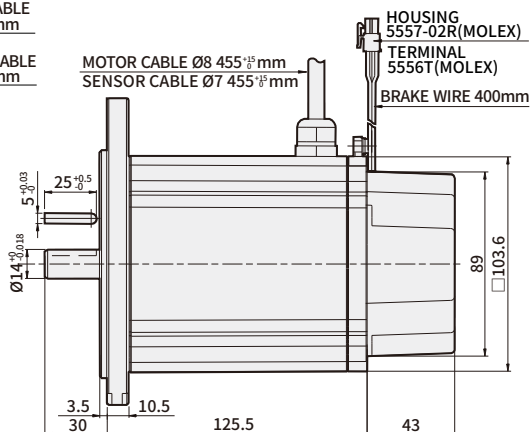
K16XK750NC

무게 : 5Kg



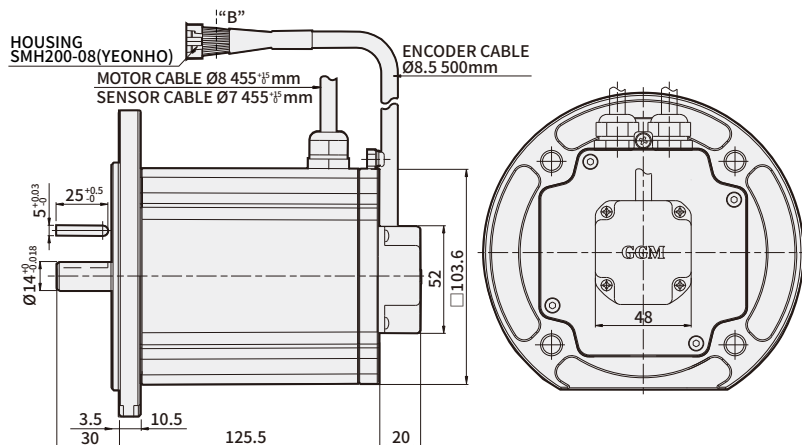
K16XK750NC-B (Brake type)

무게 : 5.6Kg



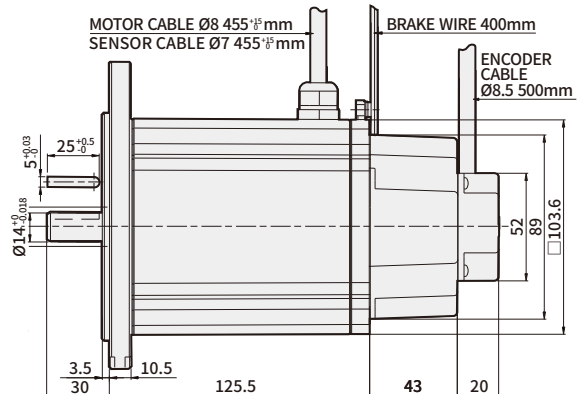
K16XK750NC-E (Encoder type)

무게 : 5.1Kg

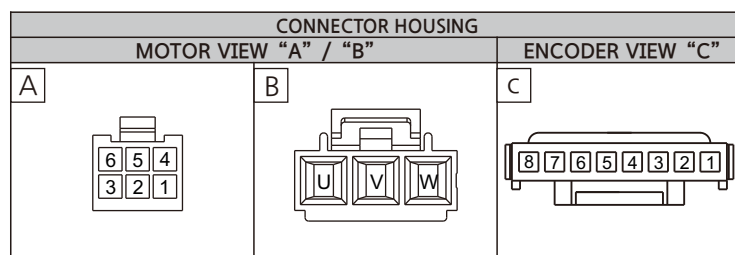


K16XK750NC-BE (Brake Encoder type)

무게 : 5.7Kg



분해능 Resolution	1,000PPR		Timing diagram CW A B Z
출력방식 Output Type	출력형태 Output Form	전원 Power Supply	
	Line Driver	+5Vdc ±10% 150mA 이하	



ENCODER PIN MAP "C"		
PIN No.	COLOR	SIGNAL
1	BLUE	Vcc(5Vdc)
2	BROWN	A
3	WHITE	/A
4	ORANGE	B
5	YELLOW	/B
6	GREEN	Z
7	PURPLE	/Z
8	GRAY	Ground

MOTOR PIN MAP "A"		
PIN No.	COLOR	SIGNAL
1	YELLOW	VCC
2	BLACK	DRAIN
3	GREEN	Ground
4	BROWN	Hu
5	WHITE	Hv
6	ORANGE	Hw
MOTOR PIN MAP "B"		
1	BLACK	U
2	RED	V
3	WHITE	W

BRUSHLESS DC MOTOR UNIT - X Series

IEC
TYPE

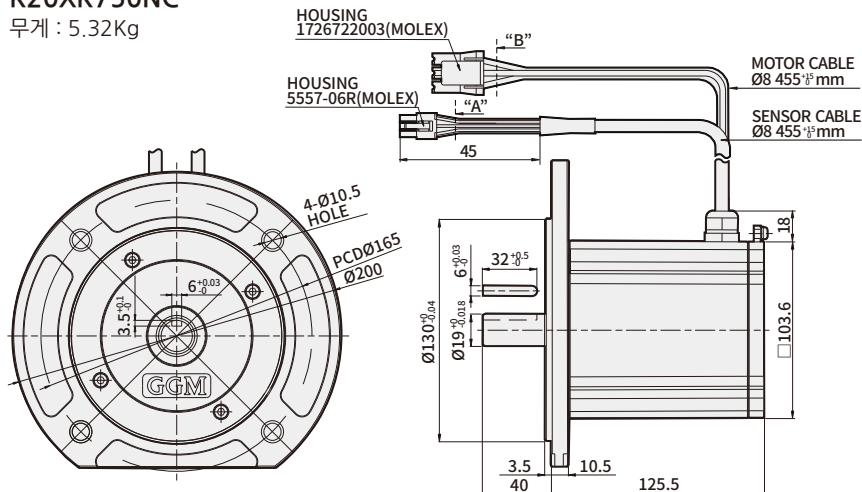
Ø200



DIMENSIONS

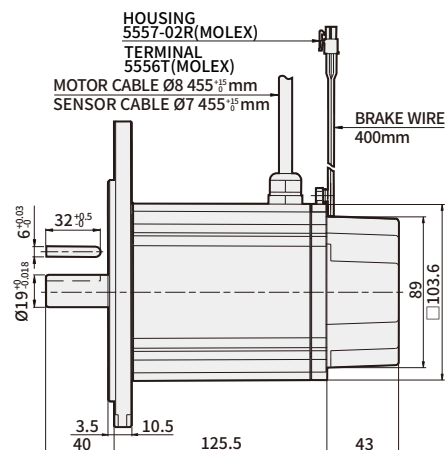
K20XK750NC

무게 : 5.32Kg



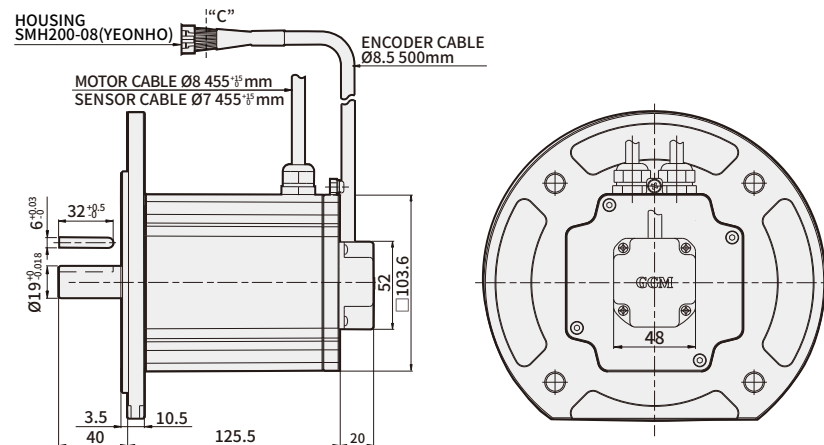
K20XK750NC-B (Brake type)

무게 : 5.9Kg



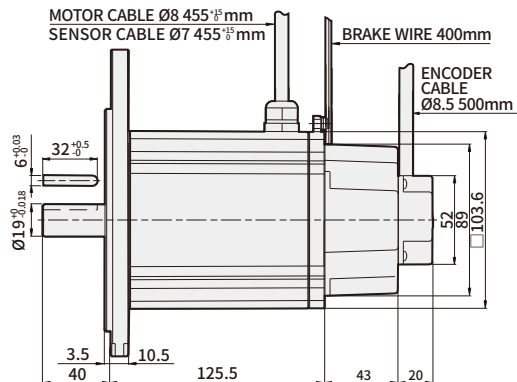
K20XK750NC-E (Encoder type)

무게 : 5.4Kg

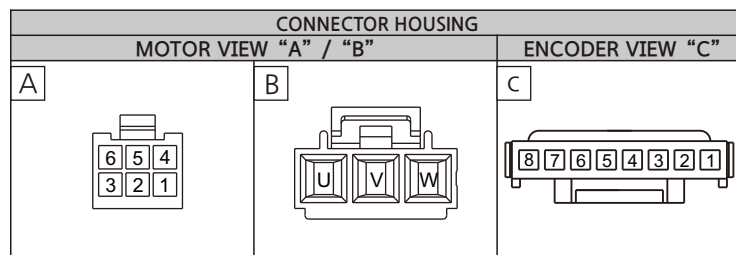


K20XK750NC-BE (Brake Encoder type)

무게 : 6Kg



분해능 Resolution	1,000PPR		Timing diagram CW A B Z
출력방식 Output Type	출력형태 Line Driver	전원 Power Supply +5Vdc ±10% 150mA 이하	



ENCODER PIN MAP "C"		
PIN No.	COLOR	SIGNAL
1	BLUE	Vcc(5Vdc)
2	BROWN	A
3	WHITE	/A
4	ORANGE	B
5	YELLOW	/B
6	GREEN	Z
7	PURPLE	/Z
8	GRAY	Ground

MOTOR PIN MAP "A"		
PIN No.	COLOR	SIGNAL
1	YELLOW	VCC
2	BLACK	DRAIN
3	GREEN	Ground
4	BROWN	Hu
5	WHITE	Hv
6	ORANGE	Hw
MOTOR PIN MAP "B"		
1	BLACK	U
2	RED	V
3	WHITE	W