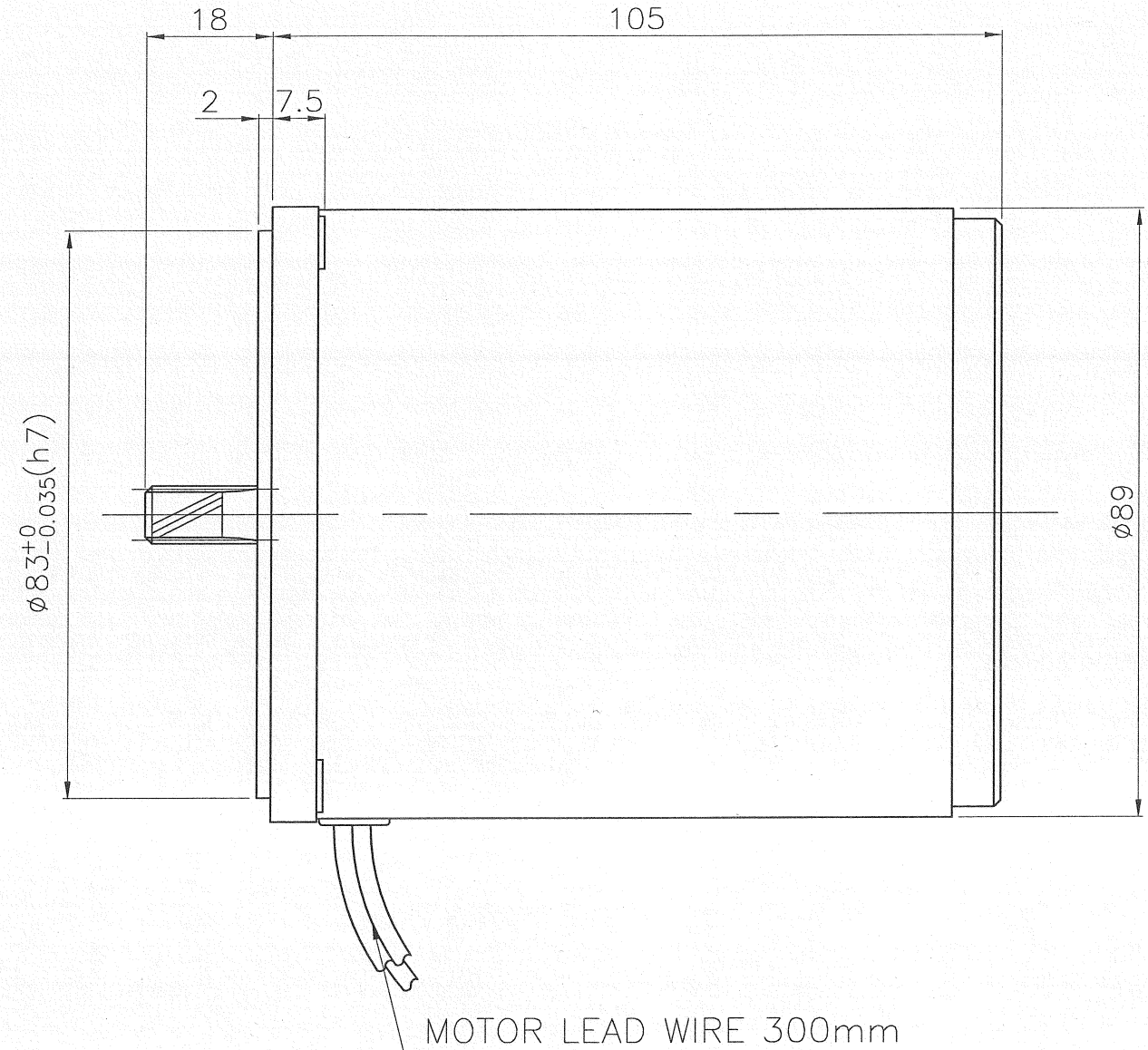
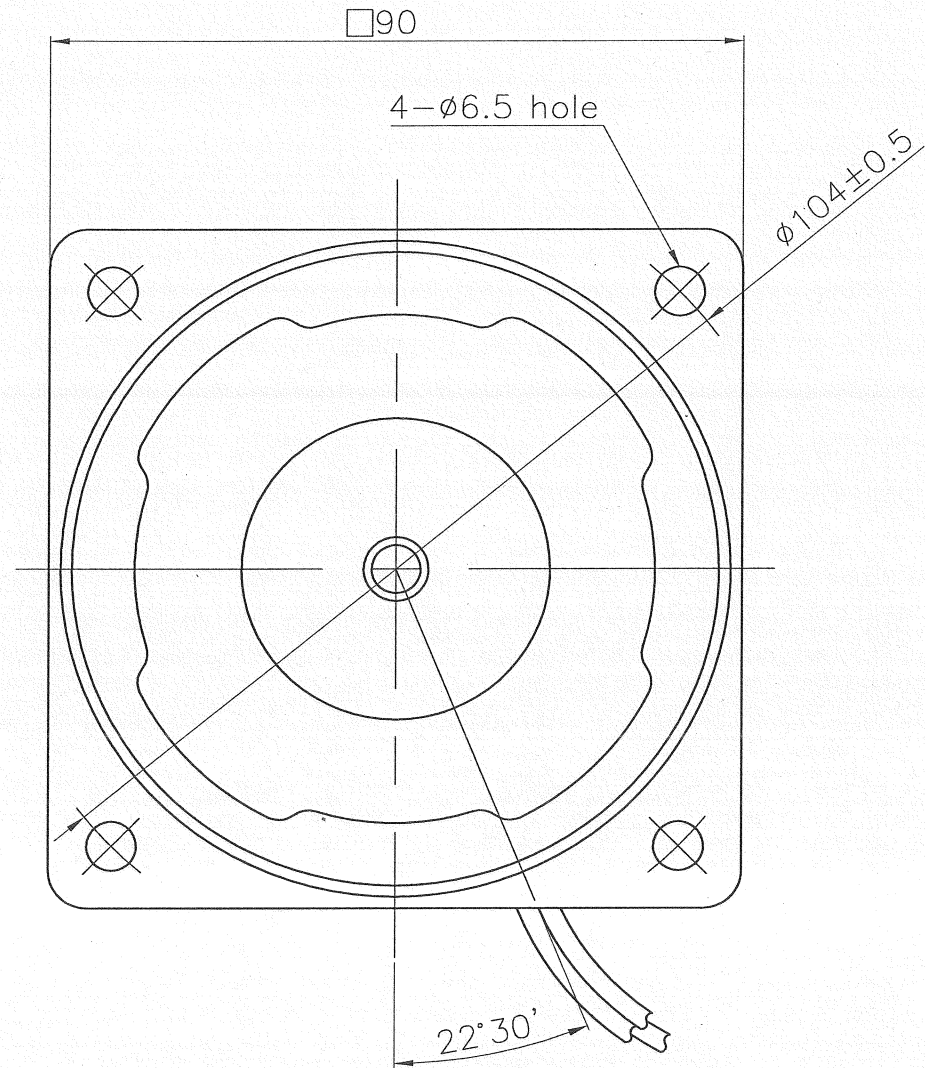


No.	REMARK	REVISION No.	SIGN

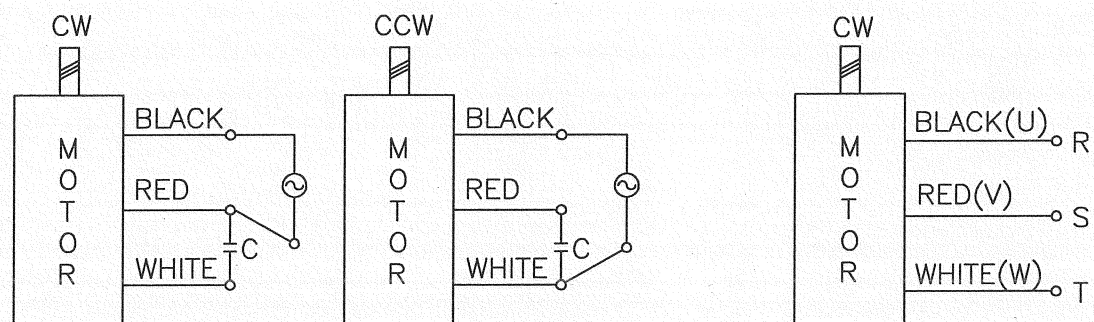


MOTOR LEAD WIRE 300mm
UL Style 3271 , AWG20

■ CONNECTION DIAGRAMS

SINGLE-PHASE MOTOR

THREE-PHASE MOTOR

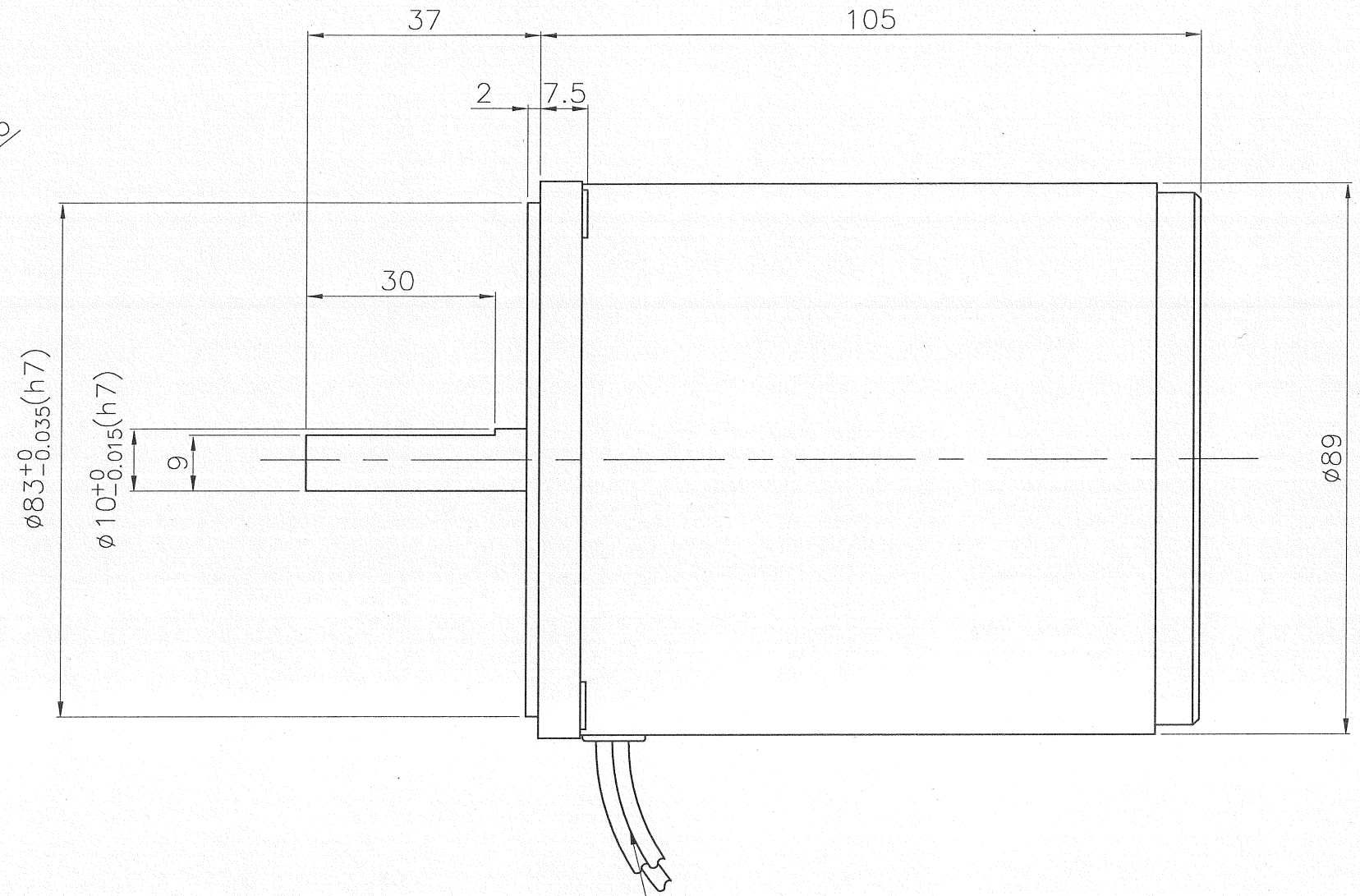
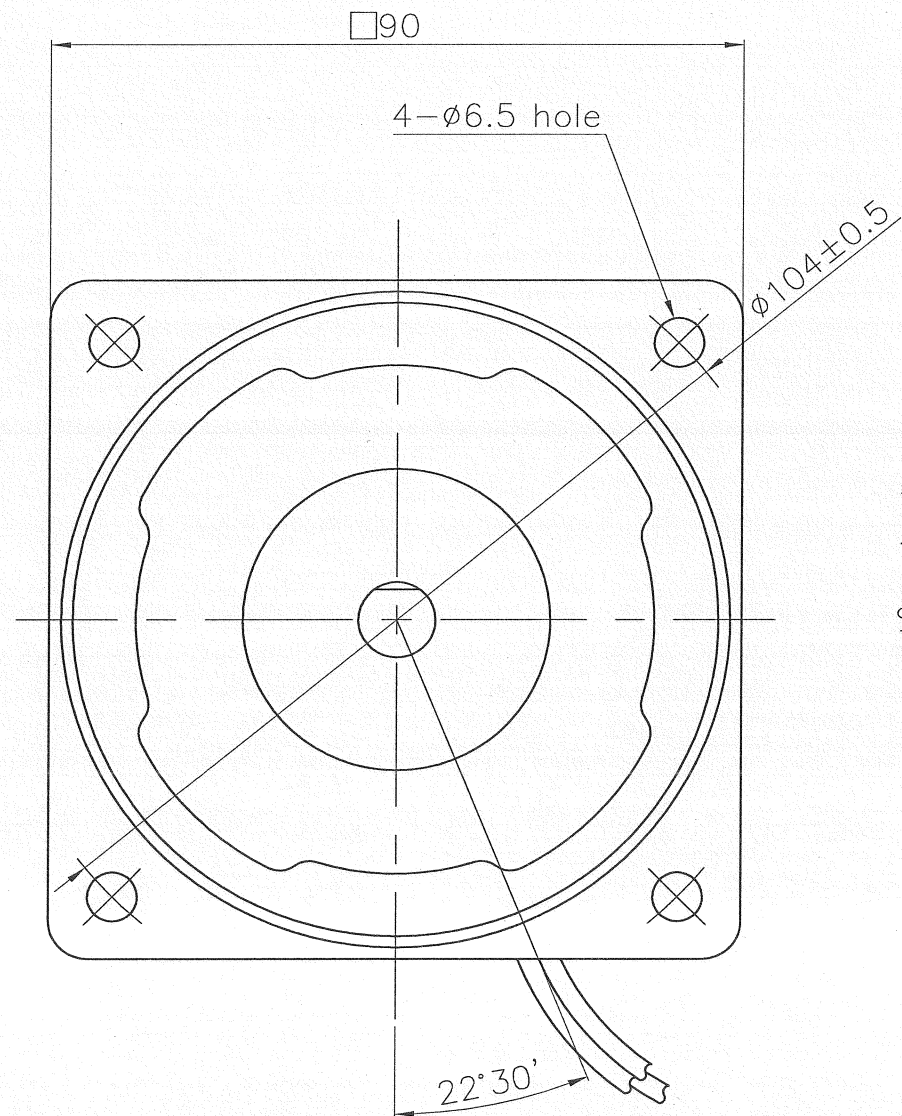


CCW :
To change
any two connections
among U, V and W.

- * CW=Clock Wise, CCW=Counter Clock Wise
- * The Direction of motor rotation is as viewed from the front shaft end of the motor.
- * C = Capacitor = Condenser

DRAW	12. 11. 7	SCALE : 1/1	PART NAME	OUTLINE
DESIGNED		UNIT : mm		
CHECKED			APPLICATION MODEL	K9□G40N□
APPROVED			DWG NO.	2-0L-00018
G G M GLOBAL GEARED MOTOR		RELATION DWG.		

No.	REMARK	REVISION No.	SIGN

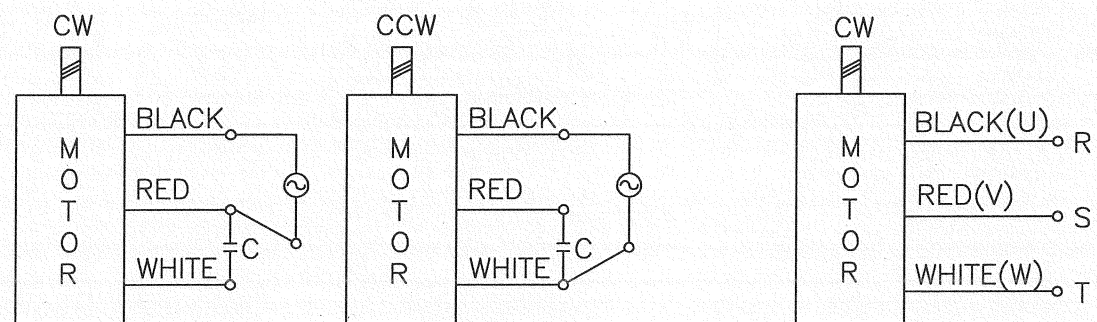


MOTOR LEAD WIRE 300mm
UL Style 3271, AWG20

■ CONNECTION DIAGRAMS

SINGLE-PHASE MOTOR

THREE-PHASE MOTOR

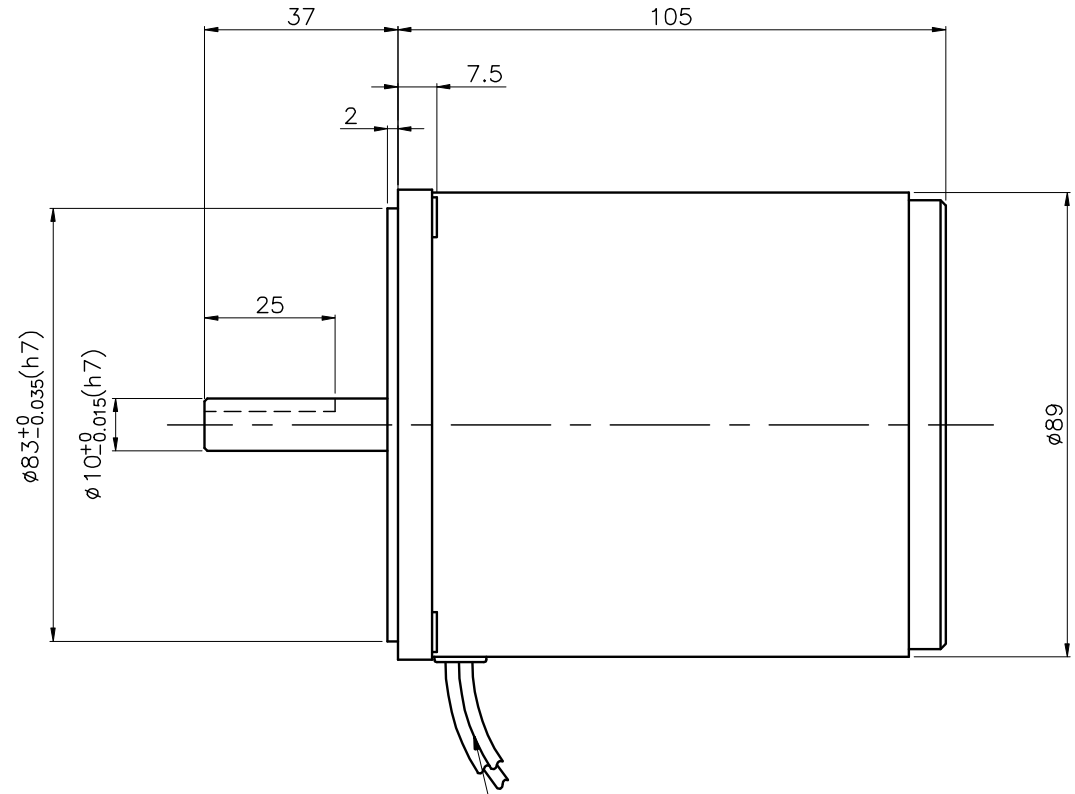
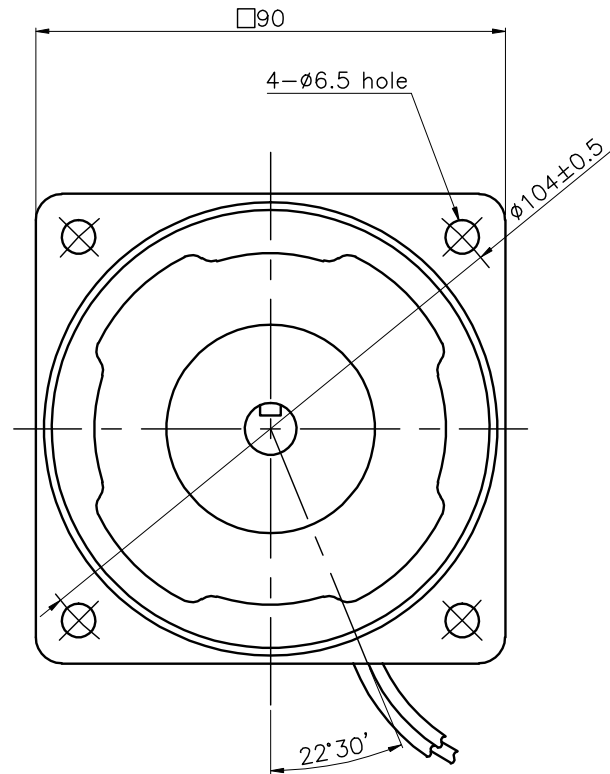


CCW :
To change
any two connections
among U, V and W.

- * CW=Clock Wise, CCW=Counter Clock Wise
- * The Direction of motor rotation is as viewed from the front shaft end of the motor.
- * C = Capacitor = Condenser

DRAW	12. 11. 7	SCALE : 1/1	PART NAME
DESIGNED		UNIT : mm	OUTLINE
CHECKED			APPLICATION MODEL
APPROVED			K9□S40N□
		RELATION DWG.	DWG NO.
GLOBAL GEARED MOTOR			2-OL-00019

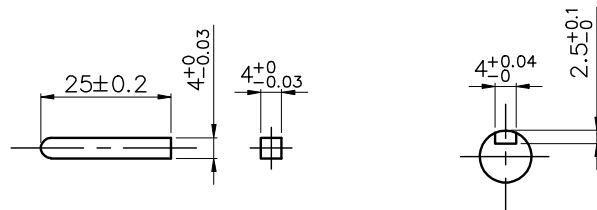
No.	REMARK	REVISION No.	SIGN



MOTOR LEAD WIRE 300mm
UL Style 3271, AWG20

● KEY

● KEY GROOVE



DRAW	14. 6. 11	SCALE : 1/1	PART NAME	OUTLINE
DESIGNED	14. 6. 11	UNIT : mm	APPLICATION MODEL	K9□K40N□
CHECKED			DWG NO.	2-OL-01003
APPROVED			RELATION DWG.	

G G M
GLOBAL GEARED MOTOR