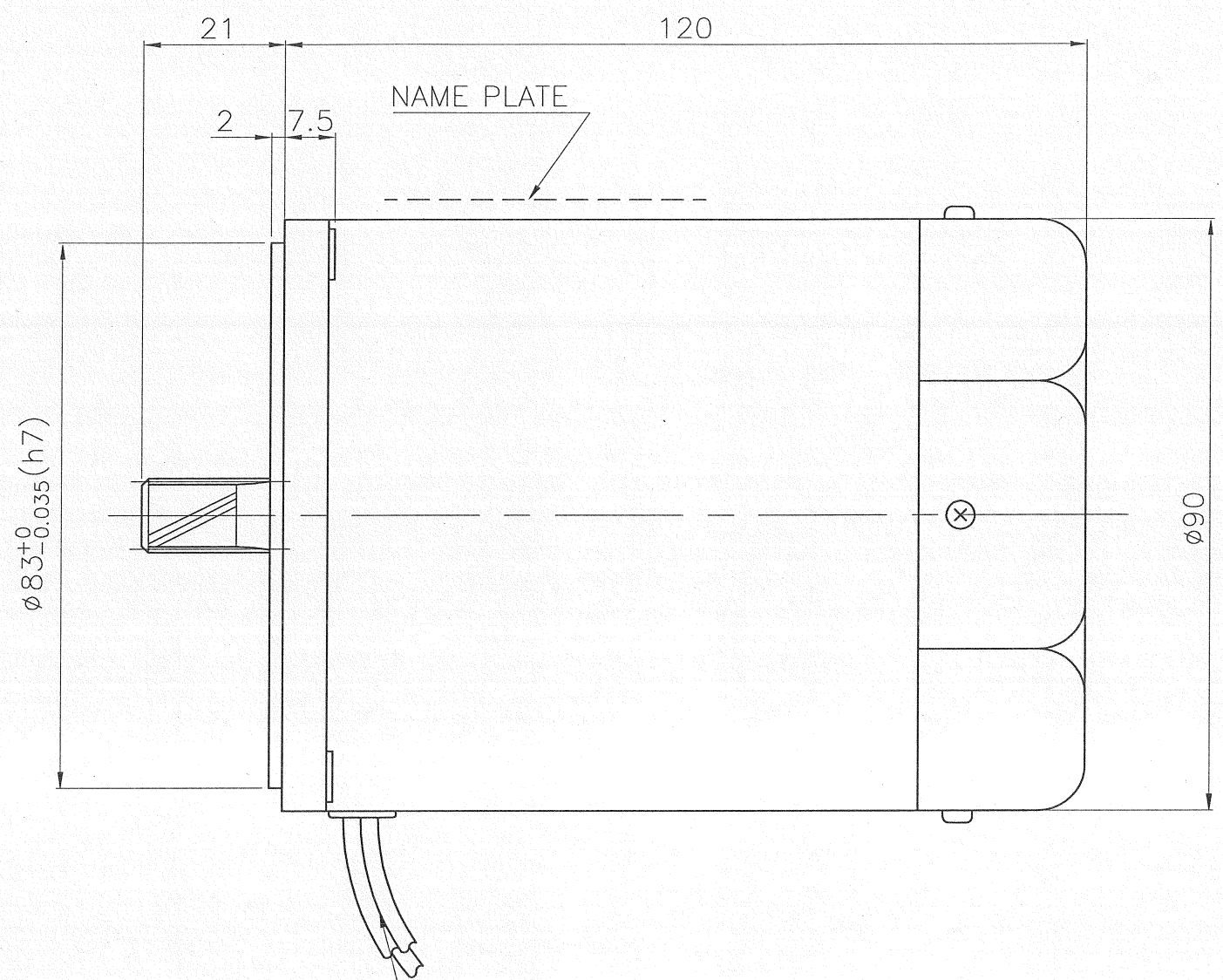
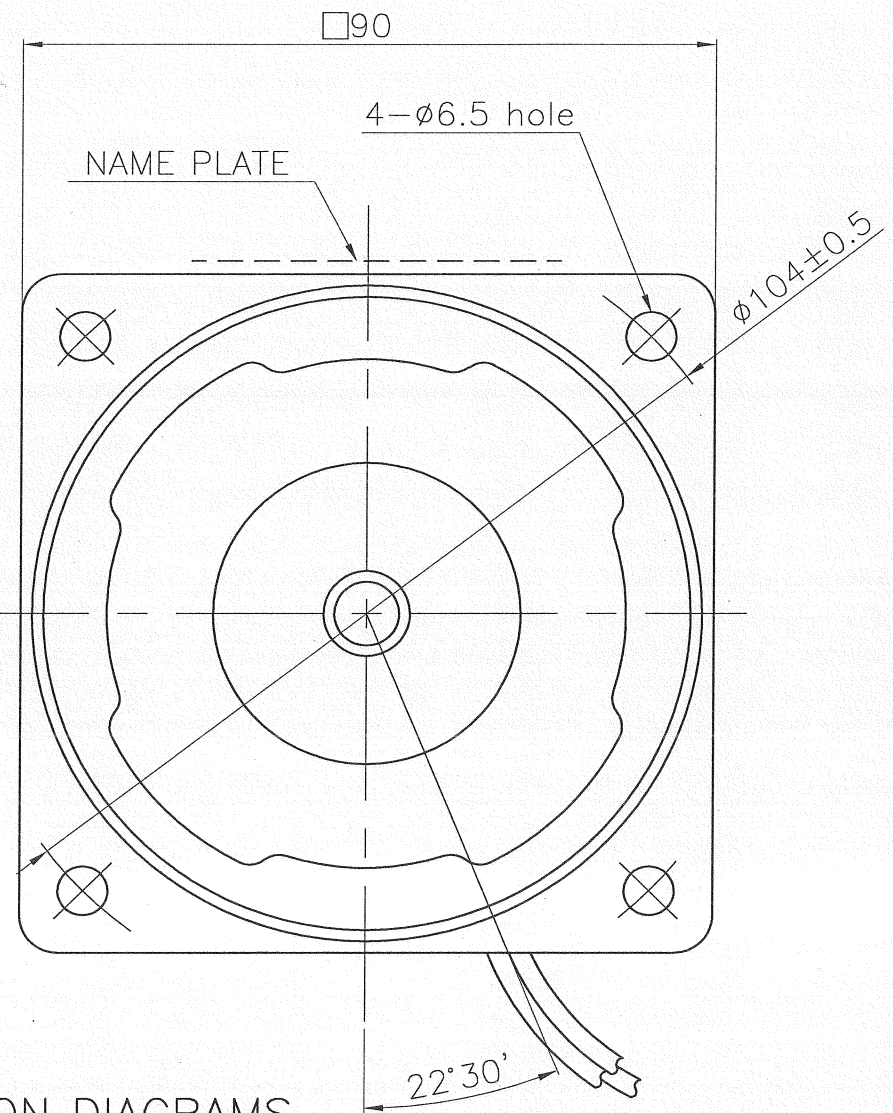


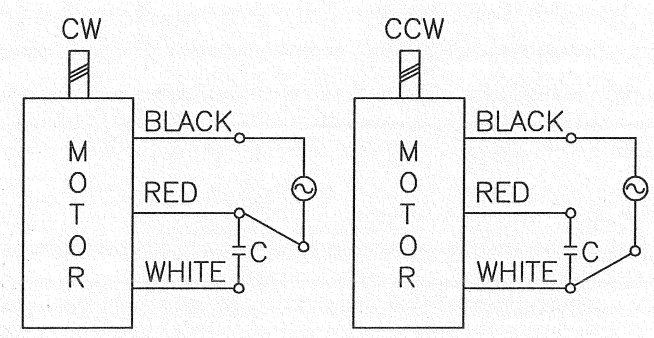
No.	REMARK	REVISION No.	SIGN



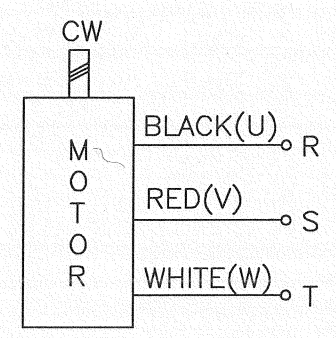
MOTOR LEAD WIRE 300mm
UL Style 3271 , AWG20

■ CONNECTION DIAGRAMS

SINGLE-PHASE MOTOR



THREE-PHASE MOTOR

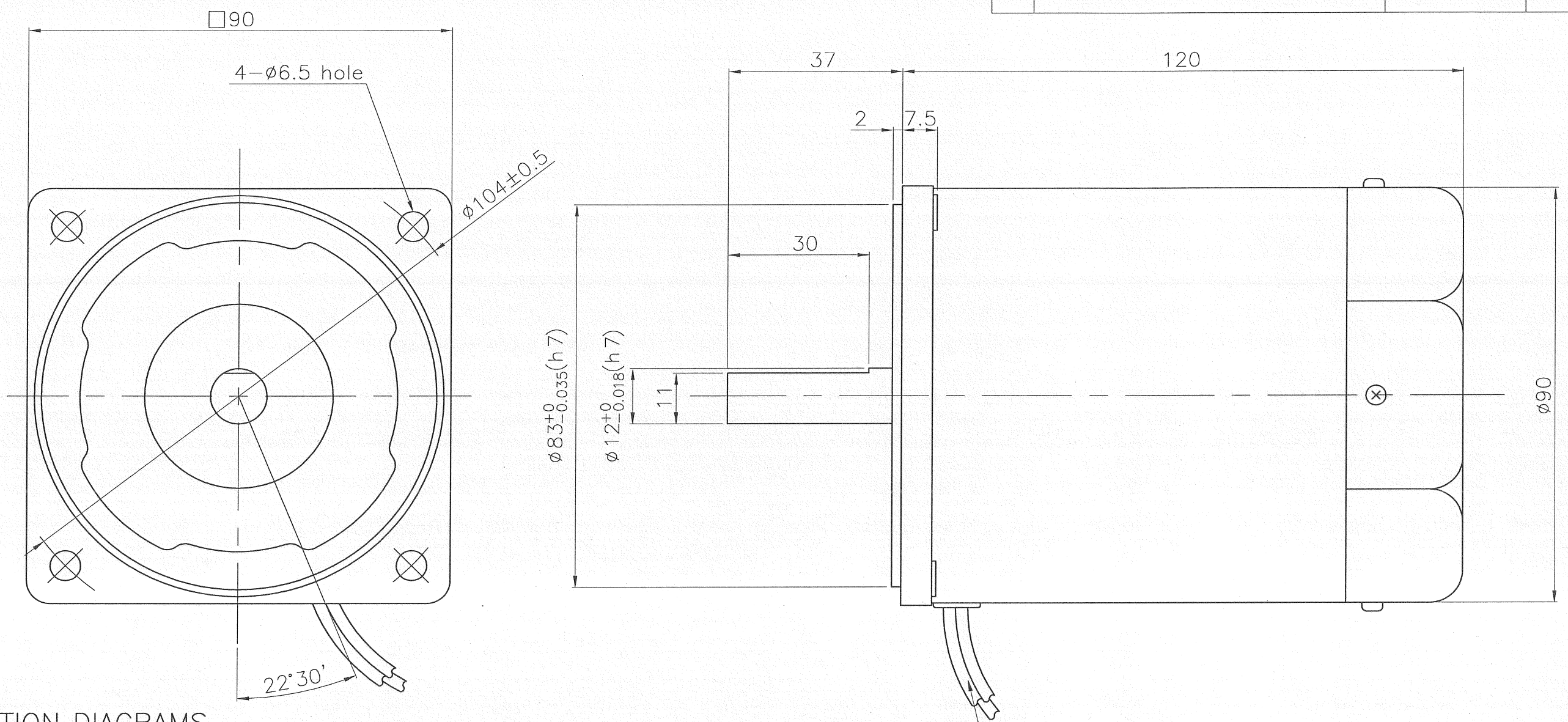


CCW :
To change
any two connections
among U, V and W.

- * CW=Clock Wise, CCW=Counter Clock Wise
- * The Direction of motor rotation is as viewed from the front shaft end of the motor.
- * C = Capacitor = Condenser

DRAW	12. 11. 7	SCALE : 1/1	PART NAME	OUTLINE
DESIGNED		UNIT : mm		
CHECKED			APPLICATION MODEL	K9□P60F □
APPROVED			DWG NO.	2-OL-00024
G G M GLOBAL GEARED MOTOR		RELATION DWG.		

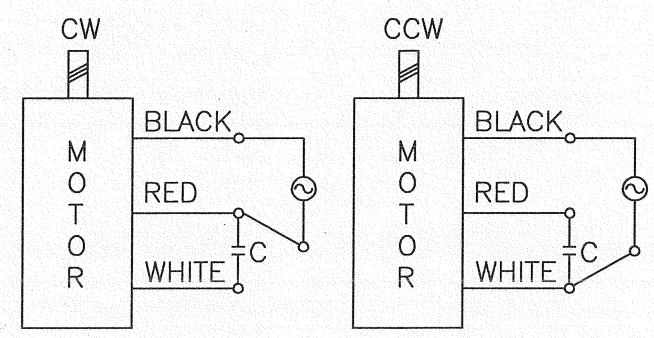
No.	REMARK	REVISION No.	SIGN



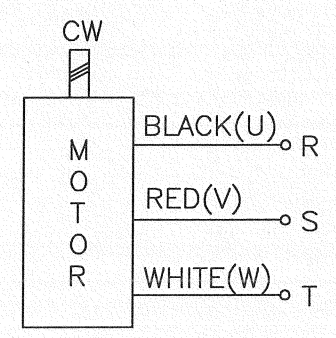
MOTOR LEAD WIRE 300mm
UL Style 3271, AWG20

■ CONNECTION DIAGRAMS

SINGLE-PHASE MOTOR



THREE-PHASE MOTOR

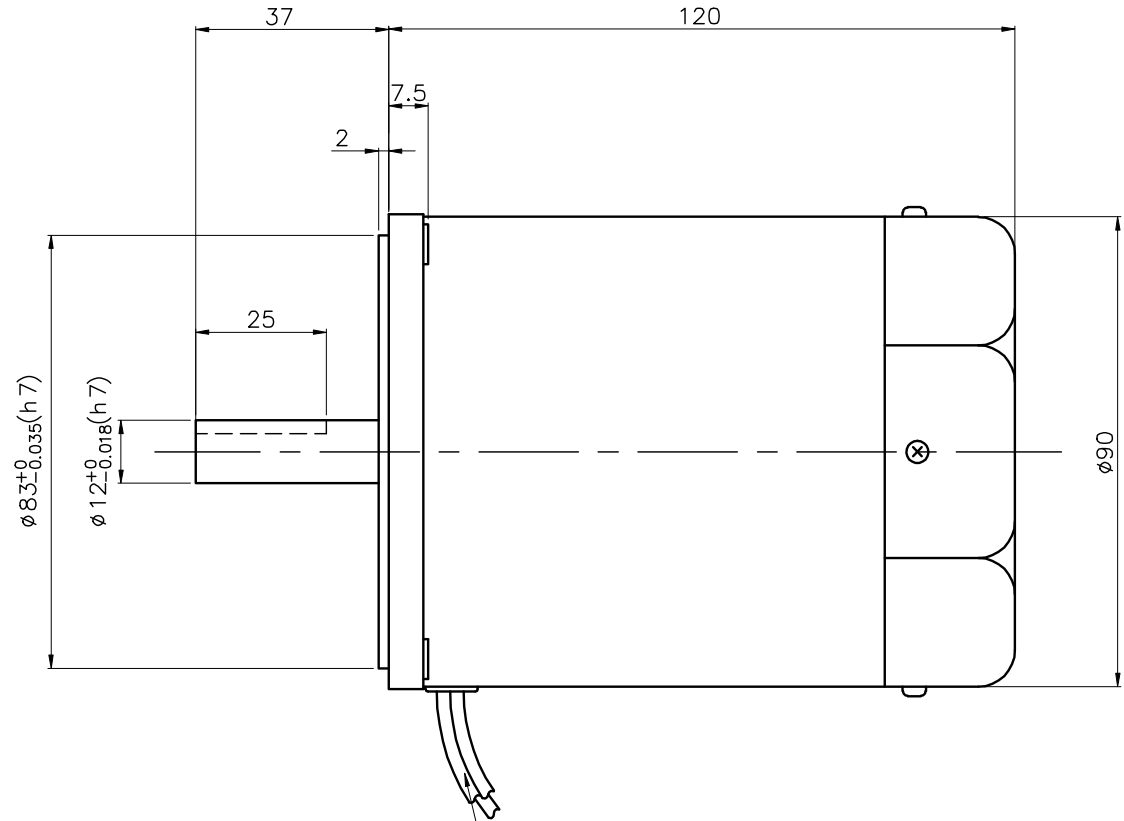
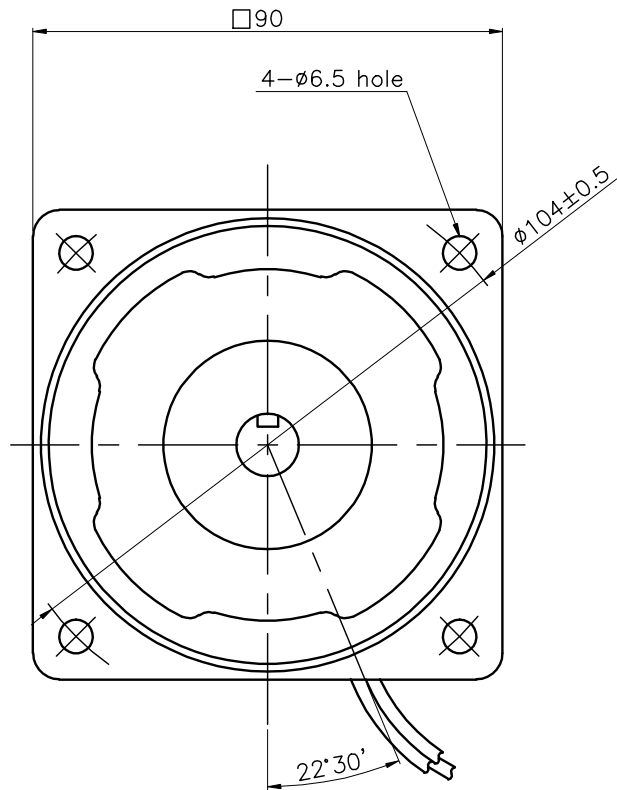


CCW :
To change
any two connections
among U, V and W.

- * CW=Clock Wise, CCW=Counter Clock Wise
- * The Direction of motor rotation is as viewed from the front shaft end of the motor.
- * C = Capacitor = Condenser

DRAW	12. 11. 7	SCALE : 1/1	PART NAME	OUTLINE
DESIGNED		UNIT : mm		
CHECKED			APPLICATION MODEL	K9□S60F □
APPROVED			DWG NO.	2-OL-00025
G G M GLOBAL GEARED MOTOR		RELATION DWG.		

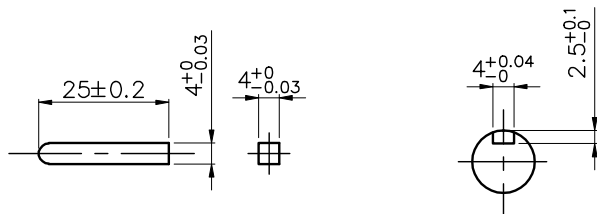
No.	REMARK	REVISION No.	SIGN



MOTOR LEAD WIRE 300mm
UL Style 3271, AWG20

◎ KEY

◎ KEY GROOVE



DRAW		SCALE : 1/1	PART NAME	OUTLINE
DESIGNED		UNIT : mm	APPLICATION MODEL	K9□K60F □
CHECKED			RELATION DWG.	DWG NO.
APPROVED				2-OL-00995
GGM GLOBAL GEARED MOTOR				