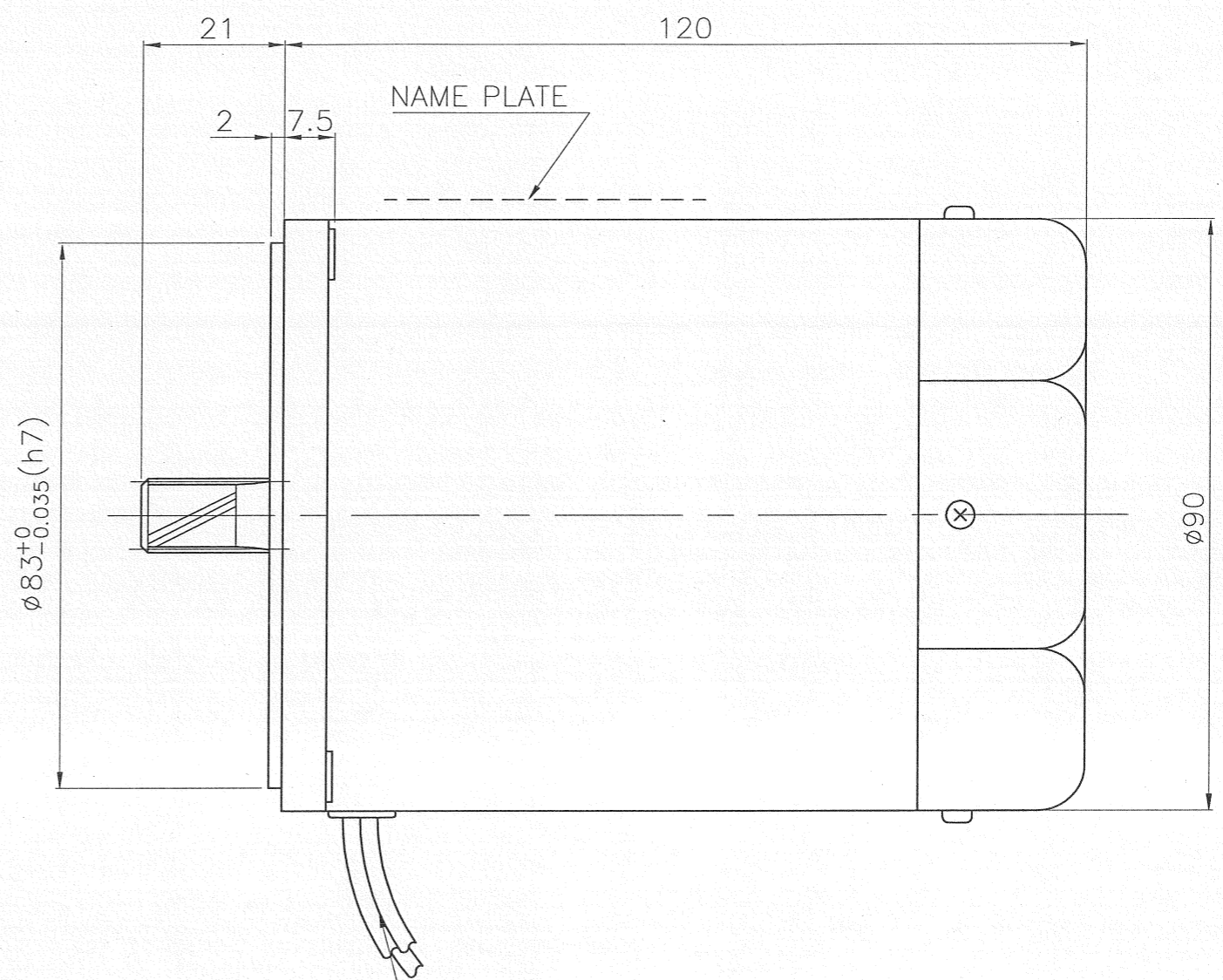
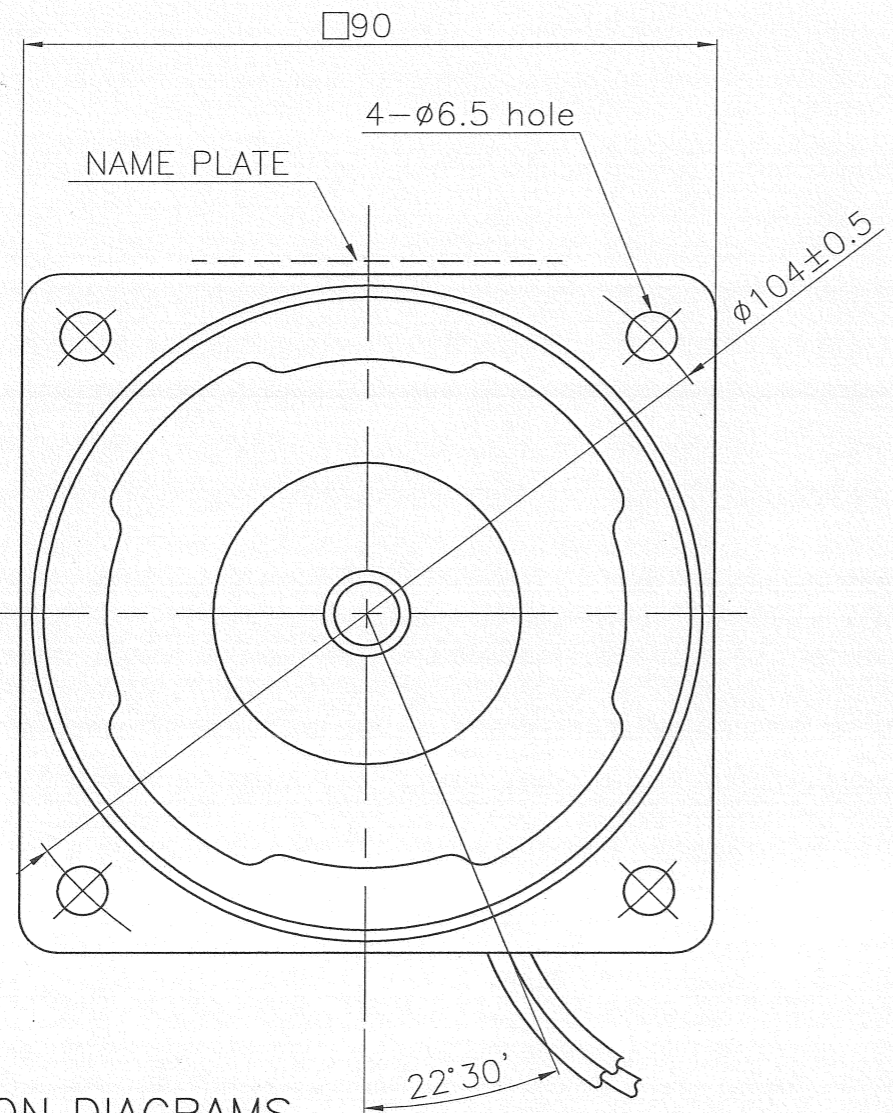


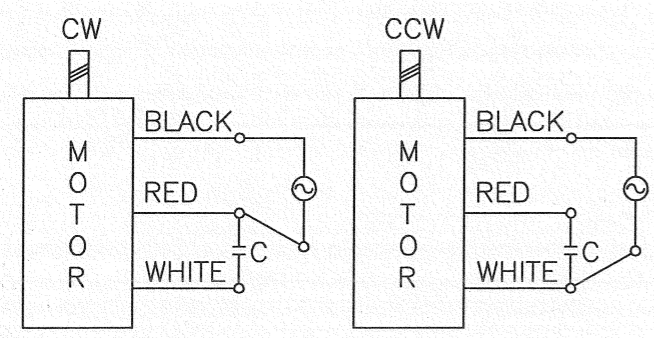
No.	REMARK	REVISION No.	SIGN



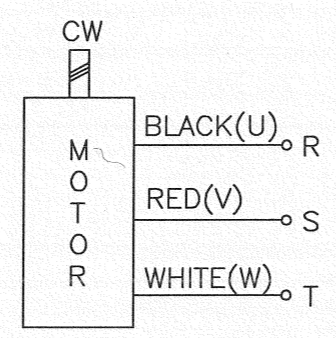
MOTOR LEAD WIRE 300mm  
UL Style 3271 , AWG20

■ CONNECTION DIAGRAMS

SINGLE-PHASE MOTOR



THREE-PHASE MOTOR

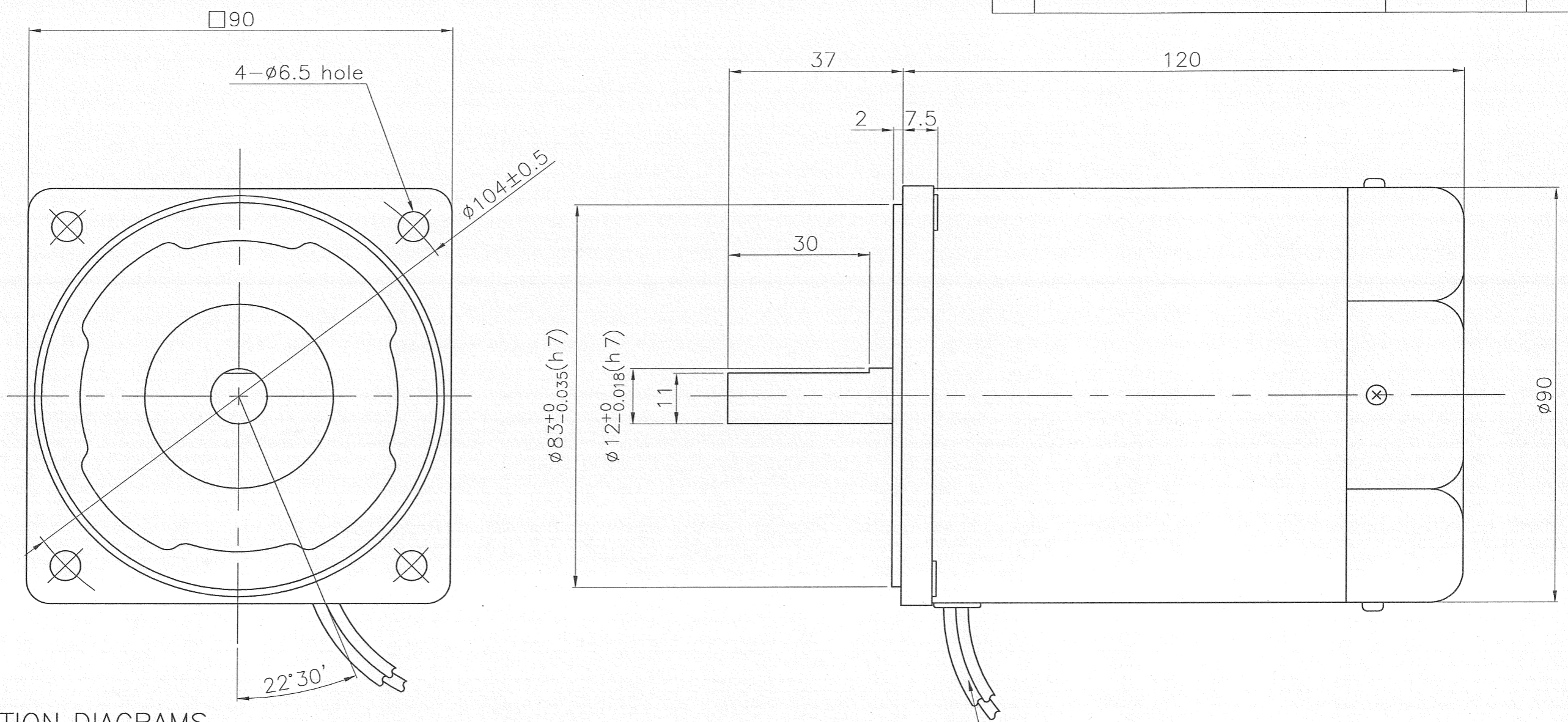


CCW :  
To change  
any two connections  
among U, V and W.

- \* CW=Clock Wise, CCW=Counter Clock Wise
- \* The Direction of motor rotation is as viewed from the front shaft end of the motor.
- \* C = Capacitor = Condenser

DRAW	12. 11. 7	SCALE : 1/1	PART NAME	OUTLINE
DESIGNED		UNIT : mm		
CHECKED			APPLICATION MODEL	K9□P60F □
APPROVED			DWG NO.	2-OL-00024
<b>G G M</b> GLOBAL GEARED MOTOR		RELATION DWG.		

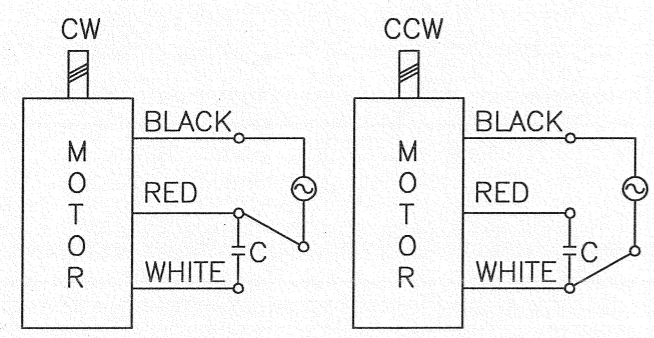
No.	REMARK	REVISION No.	SIGN



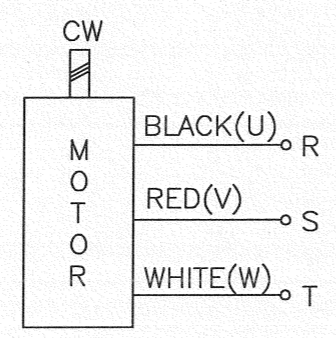
MOTOR LEAD WIRE 300mm  
UL Style 3271, AWG20

■ CONNECTION DIAGRAMS

SINGLE-PHASE MOTOR



THREE-PHASE MOTOR

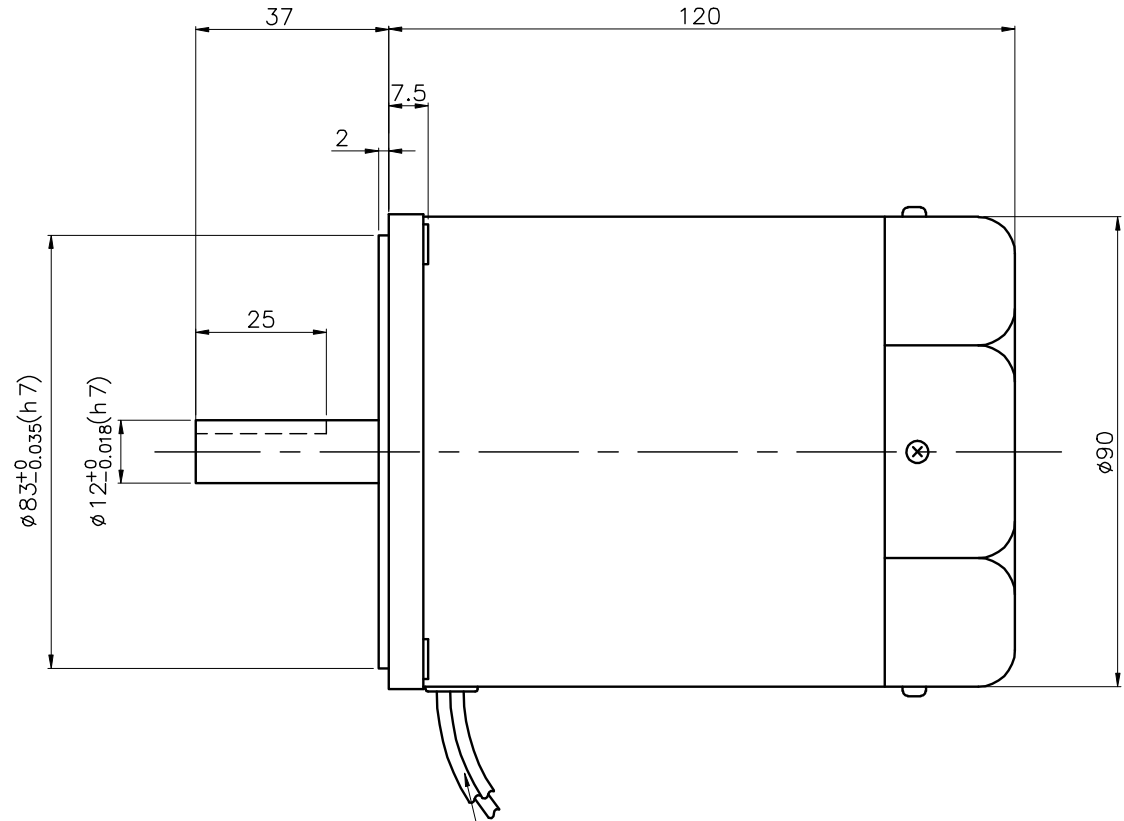
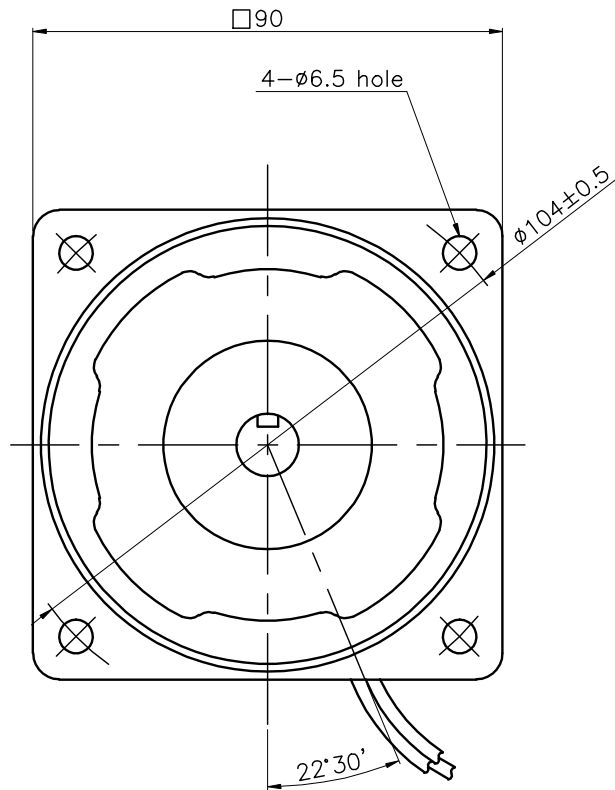


CCW :  
To change  
any two connections  
among U, V and W.

- \* CW=Clock Wise, CCW=Counter Clock Wise
- \* The Direction of motor rotation is as viewed from the front shaft end of the motor.
- \* C = Capacitor = Condenser

DRAW	12. 11. 7	SCALE : 1/1	PART NAME	OUTLINE
DESIGNED		UNIT : mm		
CHECKED			APPLICATION MODEL	K9□S60F □
APPROVED			DWG NO.	2-OL-00025
 GLOBAL GEARED MOTOR		RELATION DWG.		

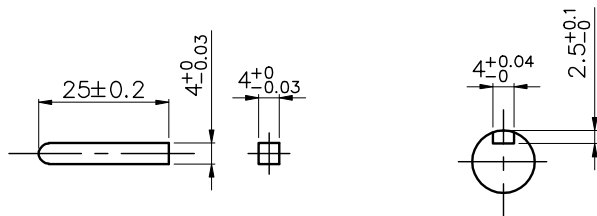
No.	REMARK	REVISION No.	SIGN



MOTOR LEAD WIRE 300mm  
UL Style 3271, AWG20

◎ KEY

◎ KEY GROOVE



DRAW		SCALE : 1/1	PART NAME
DESIGNED		UNIT : mm	OUTLINE
CHECKED			APPLICATION MODEL
APPROVED			K9□K60F □
		RELATION DWG.	DWG NO.
			2-OL-00995