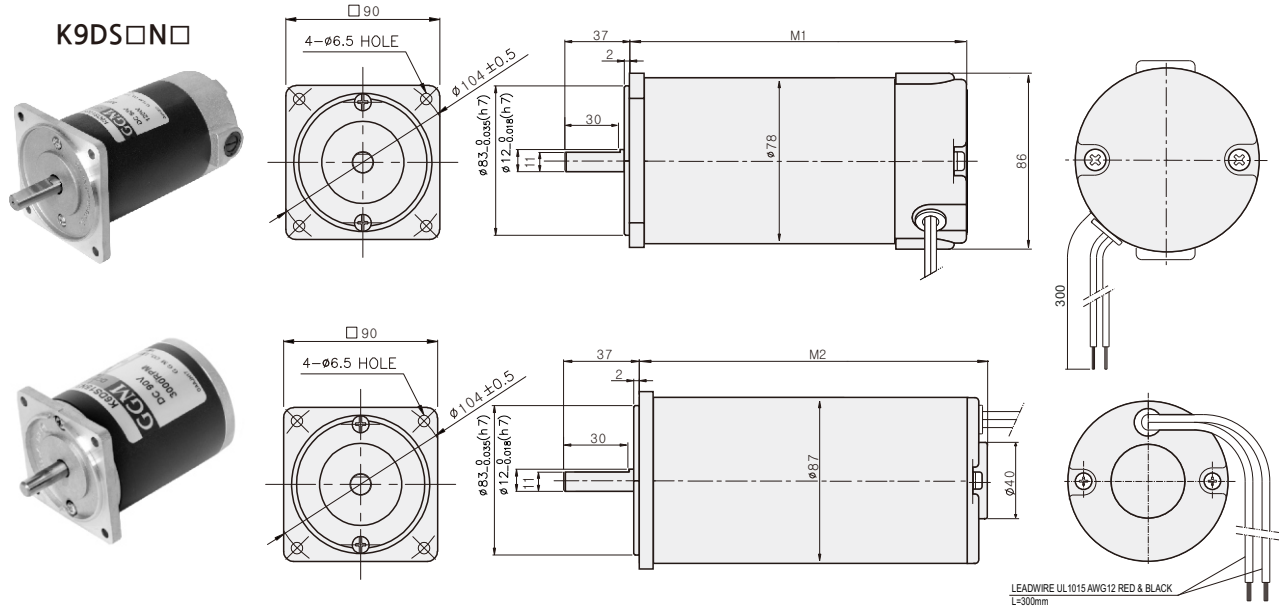


DC MOTOR

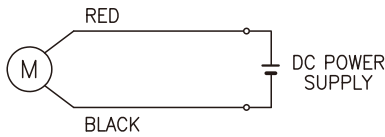
60W ~ 200W

□90mm

DIMENSIONS



CONNECTION DIAGRAMS



當向紅線施加+電源時，順時針旋轉 (CW)。
 當向黑線施加+電源時，逆時針旋轉 (CCW)。
 ※ 從輸出軸的正面看時，這就是旋轉方向。

尺寸表

| M1 | ø | MOTOR | M2 | ø | MOTOR |
|-----|----|--|-----|----|-------------------------------------|
| 142 | 80 | K9D□60N□ K9D□90N□ | 170 | 87 | K9D□150N1 K9D□200N1 K9D□200N2 |
| | | K9D□120N□ K9D□150N2 K9D□150N3 K9D□200N3 | | | |

SPECIFICATIONS

| Model | Output (W) | Voltage (V) | RATED | | | Start T. (N·m/kgf·cm) | Starting Current (A) |
|-----------|------------|-------------|-------------|---------------------|-------------|-----------------------|----------------------|
| | | | Speed (rpm) | Torque (N·m/kgf·cm) | Current (A) | | |
| K9D□60N1 | 60 | 12 | 3000 | 0.19/1.9 | 12 | 1.46/14.6 | 80 |
| K9D□60N2 | | 24 | | | 4.6 | 2.73/27.3 | 60 |
| K9D□60N3 | | 90 | | | 1.4 | 2.18/21.8 | 13 |
| K9D□90N1 | 90 | 12 | | 0.3/3 | 13.4 | 1.63/16.3 | 76 |
| K9D□90N2 | | 24 | | | 5.9 | 3/30 | 67 |
| K9D□90N3 | | 90 | | | 1.6 | 2.3/23 | 14 |
| K9D□120N1 | 120 | 12 | | 0.39/3.9 | 17.9 | 1.75/17.5 | 90 |
| K9D□120N2 | | 24 | | | 7.7 | 3.95/39.5 | 85 |
| K9D□120N3 | | 90 | | | 1.9 | 4.39/43.9 | 25 |
| K9D□150N1 | 150 | 12 | | 0.49/4.9 | 21.1 | 2.22/22.2 | 111 |
| K9D□150N2 | | 24 | | | 9 | 4.29/42.9 | 94 |
| K9D□150N3 | | 90 | | | 2.5 | 5/50 | 30 |
| K9D□200N1 | 200 | 12 | 0.65/6.5 | 28 | 1.8/18 | 89 | |
| K9D□200N2 | | 24 | | 12 | 5.2/52 | 124 | |
| K9D□200N3 | | 90 | | 3.3 | 5.55/55.5 | 32 | |

* □ : 电机轴形状 (S : STRAIGHT, P : PINION)

GEARHEAD

DIMENSIONS

DC MOTOR

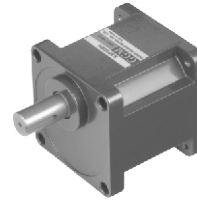
K9P□B



K9P□BF, BUF

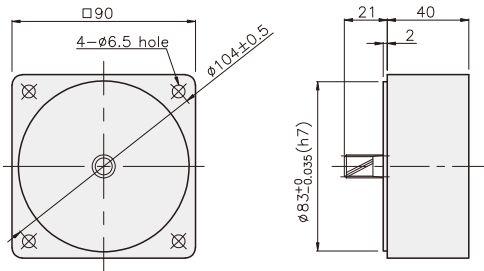


K9P□BU

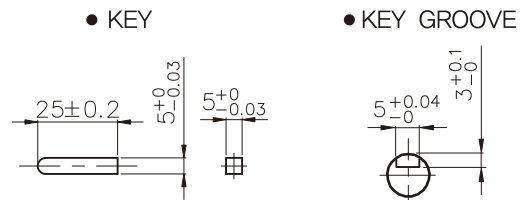


DECIMAL GEARHEAD

K9P10BX

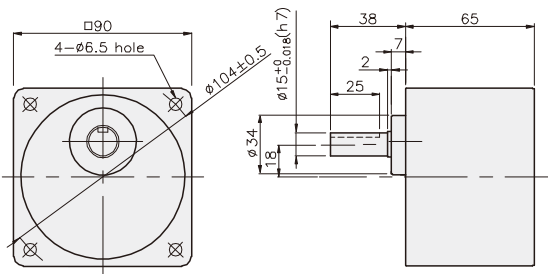


KEY SPEC

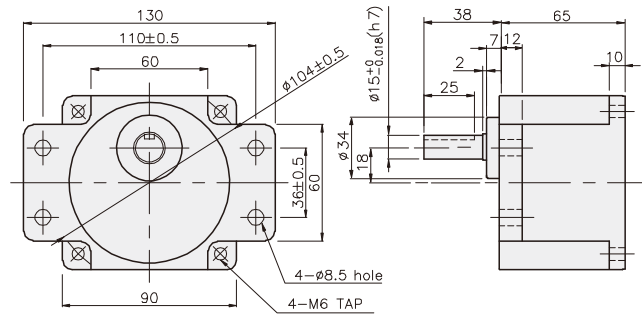


GEARHEAD

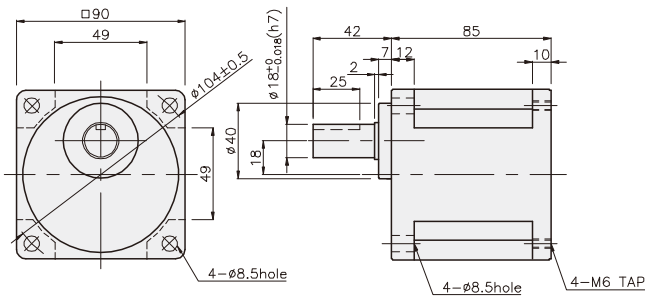
K9P□B



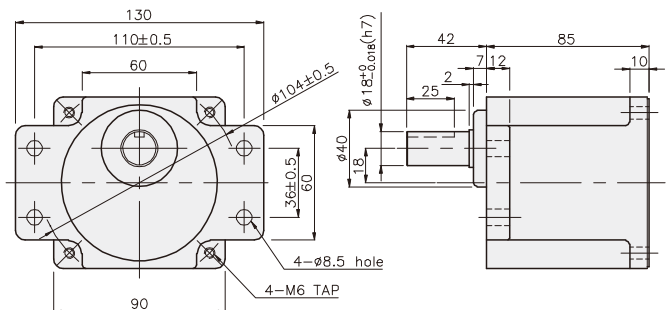
K9P□BF



K9P□BU



K9P□BUF



GEARHEAD DIMENSIONS

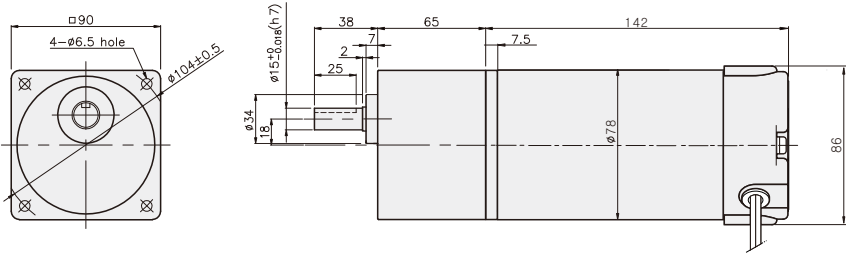
尺寸表

| 编号 | 应用型号 | 安装螺丝 |
|----|-----------|---------------|
| 01 | K9P3~200B | M6 P1.0 × 95 |
| 02 | K9P10BX | M6 P1.0 × 140 |

重量

| PART | WEIGHT(kg) |
|----------------------|------------|
| K9D□60N□ K9D□90N□ | 2.21 |
| K9P10BX | 0.62 |
| K9P3~10B | 1.22 |
| K9P12.5~20B | 1.32 |
| K9P25~60B | 1.42 |
| K9P75~200B | 1.45 |

K9DP□N□ + K9P□B



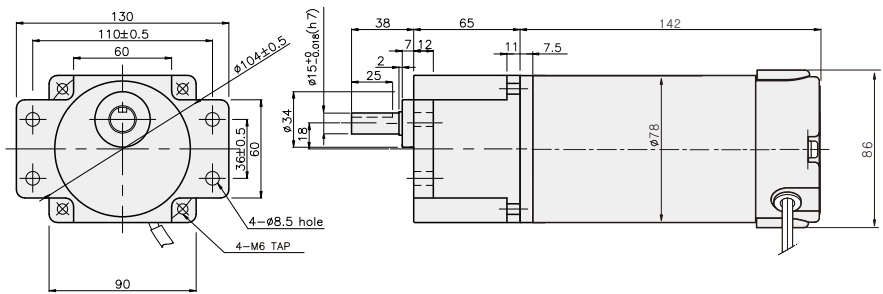
尺寸表

| 编号 | 应用型号 | 安装螺丝 |
|----|------------|--------------|
| 01 | K9P3~200BF | M6 P1.0 × 20 |
| 02 | K9P10BX | M6 P1.0 × 65 |

重量

| PART | WEIGHT(kg) |
|----------------------|------------|
| K9D□60N□ K9D□90N□ | 2.21 |
| K9P10BX | 0.62 |
| K9P3~10BF | 1.22 |
| K9P12.5~20BF | 1.30 |
| K9P25~60BF | 1.42 |
| K9P75~200BF | 1.44 |

K9DP□N□ + K9P□BF



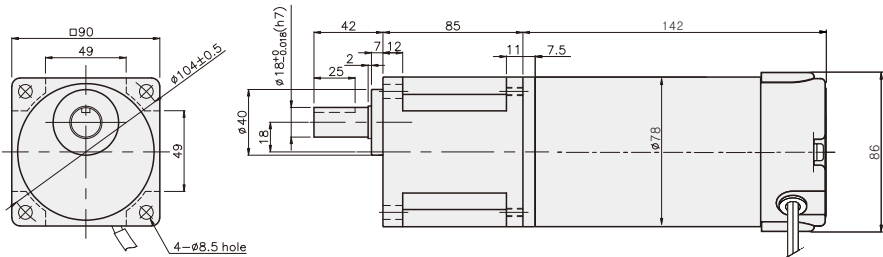
尺寸表

| 编号 | 应用型号 | 安装螺丝 |
|----|------------|--------------|
| 01 | K9P3~200BU | M6 P1.0 × 20 |
| 02 | K9P10BX | M6 P1.0 × 65 |

重量

| PART | WEIGHT(kg) |
|----------------------|------------|
| K9D□60N□ K9D□90N□ | 2.21 |
| K9P10BX | 0.62 |
| K9P3~10BU | 1.44 |
| K9P12.5~20BU | 1.55 |
| K9P25~60BU | 1.69 |
| K9P75~200BU | 1.74 |

K9DP□N□ + K9P□BU



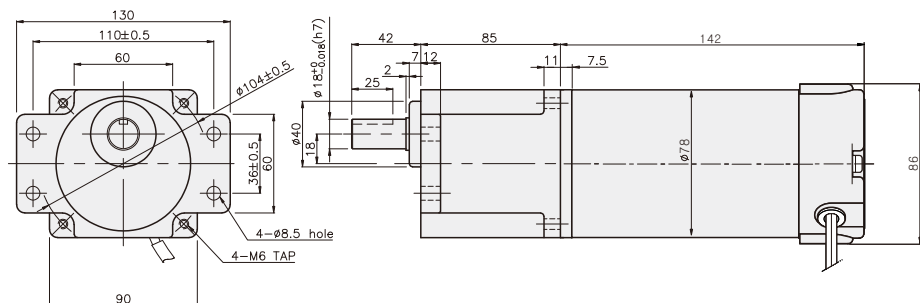
尺寸表

| 编号 | 应用型号 | 安装螺丝 |
|----|-------------|--------------|
| 01 | K9P3~200BUF | M6 P1.0 × 20 |
| 02 | K9P10BX | M6 P1.0 × 65 |

重量

| PART | WEIGHT(kg) |
|----------------------|------------|
| K9D□60N□ K9D□90N□ | 2.21 |
| K9P10BX | 0.62 |
| K9P3~10BUF | 1.50 |
| K9P12.5~20BUF | 1.62 |
| K9P25~60BUF | 1.76 |
| K9P75~200BUF | 1.82 |

K9DP□N□ + K9P□BUF



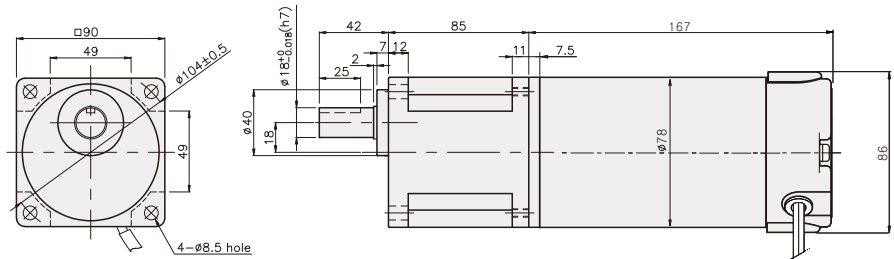
尺寸表

| 编号 | 应用型号 | 安装螺丝 |
|----|------------|--------------|
| 01 | K9P3~200BU | M6 P1.0 × 20 |
| 02 | K9P10BX | M6 P1.0 × 65 |

重量

| PART | WEIGHT(kg) |
|-------------------------------------|------------|
| K9D□120N□ K9D□150N2 K9D□150N3 | 3.20 |
| K9D□200N3 | 3.30 |
| K9P10BX | 0.62 |
| K9P3~10BU | 1.44 |
| K9P12.5~20BU | 1.55 |
| K9P25~60BU | 1.69 |
| K9P75~200BU | 1.74 |

K9DP□N□ + K9P□BU



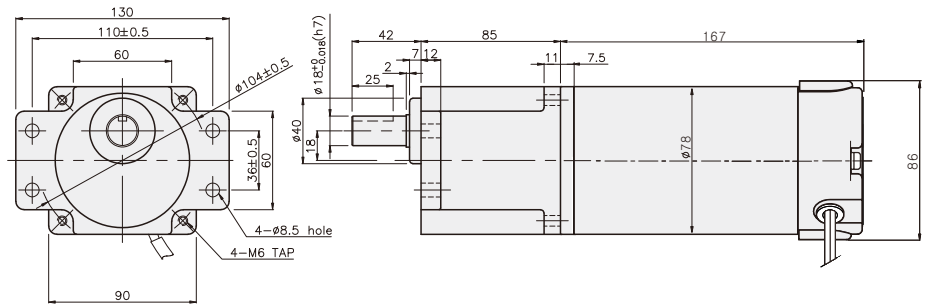
尺寸表

| 编号 | 应用型号 | 安装螺丝 |
|----|-------------|--------------|
| 01 | K9P3~200BUF | M6 P1.0 × 20 |
| 02 | K9P10BX | M6 P1.0 × 65 |

重量

| PART | WEIGHT(kg) |
|-------------------------------------|------------|
| K9D□120N□ K9D□150N2 K9D□150N3 | 3.20 |
| K9D□200N3 | 3.30 |
| K9P10BX | 0.62 |
| K9P3~10BUF | 1.50 |
| K9P12.5~20BUF | 1.62 |
| K9P25~60BUF | 1.76 |
| K9P75~200BUF | 1.82 |

K9DP□N□ + K9P□BUF



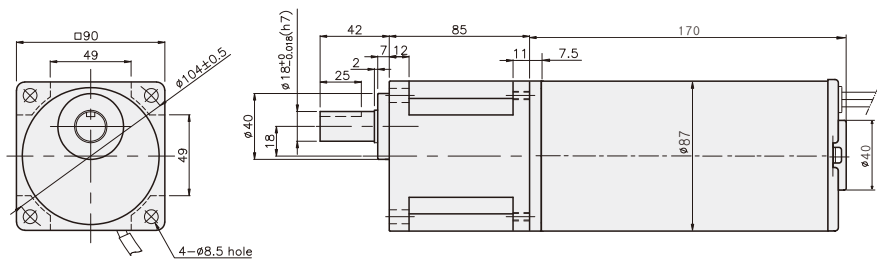
尺寸表

| 编号 | 应用型号 | 安装螺丝 |
|----|------------|--------------|
| 01 | K9P3~200BU | M6 P1.0 × 20 |
| 02 | K9P10BX | M6 P1.0 × 65 |

重量

| PART | WEIGHT(kg) |
|------------------------|------------|
| K9D□150N1 K9D□200N1 | 3.50 |
| K9D□200N2 | 3.40 |
| K9P10BX | 0.62 |
| K9P3~10BU | 1.44 |
| K9P12.5~20BU | 1.55 |
| K9P25~60BU | 1.69 |
| K9P75~200BU | 1.74 |

K9DP□N□ + K9P□BU



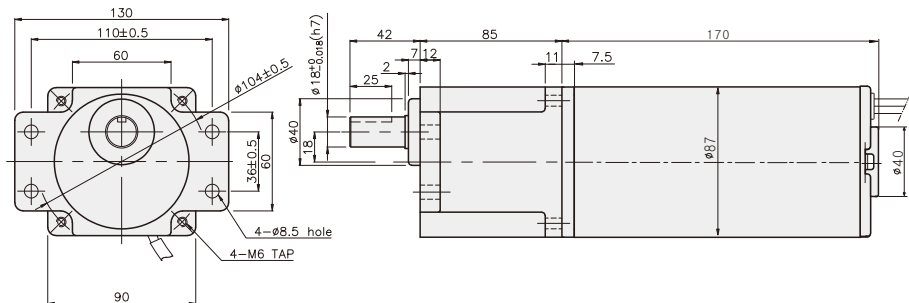
尺寸表

| 编号 | 应用型号 | 安装螺丝 |
|----|-------------|--------------|
| 01 | K9P3~200BUF | M6 P1.0 × 20 |
| 02 | K9P10BX | M6 P1.0 × 65 |

重量

| PART | WEIGHT(kg) |
|------------------------|------------|
| K9D□150N1 K9D□200N1 | 3.50 |
| K9D□200N2 | 3.40 |
| K9P10BX | 0.62 |
| K9P3~10BUF | 1.50 |
| K9P12.5~20BUF | 1.62 |
| K9P25~60BUF | 1.76 |
| K9P75~200BUF | 1.82 |

K9DP□N□ + K9P□BUF



DC MOTOR

RATED TORQUE OF GEARHEAD

● K9P□B, K9P□BF

单位 = 上段: N·m / 下段: kgf·cm

| Model | Speed(rpm) | 1000 | 833 | 600 | 500 | 400 | 333 | 300 | 240 | 200 | 167 | 150 | 120 | 100 | 83 | 75 | 60 | 50 | 40 | 33 | 30 | 25 | 20 | 17 | 15 |
|----------|--------------------|-------|------|------|------|------|------|------|------|------|------|------|------|------|------|------|------|-------|-------|-------|-------|-------|-------|-----|-----|
| | Motor/ Gearhead | Ratio | 3 | 3.6 | 5 | 6 | 7.5 | 9 | 10 | 12.5 | 15 | 18 | 20 | 25 | 30 | 36 | 40 | 50 | 60 | 75 | 90 | 100 | 120 | 150 | 180 |
| K9DP60N□ | | 0.47 | 0.57 | 0.79 | 0.95 | 1.18 | 1.42 | 1.58 | 1.77 | 2.13 | 2.55 | 2.84 | 3.19 | 3.83 | 4.60 | 5.11 | 6.39 | 7.66 | 8.62 | 10.35 | 11.50 | 13.80 | 17.25 | 20 | 20 |
| | | 4.7 | 5.7 | 7.9 | 9.5 | 11.8 | 14.2 | 15.8 | 17.7 | 21.3 | 25.5 | 28.4 | 31.9 | 38.3 | 46.0 | 51.1 | 63.9 | 76.6 | 86.2 | 103.5 | 115.0 | 138.0 | 172.5 | 200 | 200 |
| K9DP90N□ | | 0.71 | 0.85 | 1.18 | 1.42 | 1.77 | 2.13 | 2.37 | 2.66 | 3.19 | 3.83 | 4.26 | 4.79 | 5.75 | 6.90 | 7.67 | 9.58 | 11.50 | 12.94 | 15.52 | 17.25 | 20 | 20 | 20 | 20 |
| | | 7.1 | 8.5 | 11.8 | 14.2 | 17.7 | 21.3 | 23.7 | 26.6 | 31.9 | 38.3 | 42.6 | 47.9 | 57.5 | 69.0 | 76.7 | 95.8 | 115.0 | 129.4 | 155.2 | 172.5 | 200 | 200 | 200 | 200 |

● K9P□BU, K9P□BUF

单位 = 上段: N·m / 下段: kgf·cm

| Model | Speed(rpm) | 1000 | 833 | 600 | 500 | 400 | 333 | 300 | 240 | 200 | 167 | 150 | 120 | 100 | 83 | 75 | 60 | 50 | 40 | 33 | 30 | 25 | 20 | 17 | 15 |
|-----------|--------------------|-------|------|------|------|------|------|------|------|------|------|------|-------|-------|-------|-------|-------|-------|-------|-------|-------|-------|-------|-----|-----|
| | Motor/ Gearhead | Ratio | 3 | 3.6 | 5 | 6 | 7.5 | 9 | 10 | 12.5 | 15 | 18 | 20 | 25 | 30 | 36 | 40 | 50 | 60 | 75 | 90 | 100 | 120 | 150 | 180 |
| K9DP90N□ | | 0.71 | 0.85 | 1.18 | 1.42 | 1.77 | 2.13 | 2.37 | 2.66 | 3.19 | 3.83 | 4.26 | 4.79 | 5.75 | 6.90 | 7.67 | 9.58 | 11.50 | 12.94 | 15.52 | 17.25 | 20.70 | 25.87 | 30 | 30 |
| | | 7.1 | 8.5 | 11.8 | 14.2 | 17.7 | 21.3 | 23.7 | 26.6 | 31.9 | 38.3 | 42.6 | 47.9 | 57.5 | 69.0 | 76.7 | 95.8 | 115.0 | 129.4 | 155.2 | 172.5 | 207.0 | 258.7 | 300 | 300 |
| K9DP120N□ | | 0.95 | 1.14 | 1.58 | 1.89 | 2.37 | 2.84 | 3.15 | 3.55 | 4.26 | 5.11 | 5.68 | 6.39 | 7.67 | 9.20 | 10.22 | 12.78 | 15.33 | 17.25 | 20.70 | 23.00 | 27.60 | 30 | 30 | 30 |
| | | 9.5 | 11.4 | 15.8 | 18.9 | 23.7 | 28.4 | 31.5 | 35.5 | 42.6 | 51.1 | 56.8 | 63.9 | 76.7 | 92.0 | 102.2 | 127.8 | 153.3 | 172.5 | 207.0 | 230.0 | 276.0 | 300 | 300 | 300 |
| K9DP150N□ | | 1.18 | 1.42 | 1.97 | 2.37 | 2.96 | 3.55 | 3.94 | 4.44 | 5.32 | 6.39 | 7.10 | 7.99 | 9.58 | 11.50 | 12.78 | 15.97 | 19.17 | 21.56 | 25.88 | 28.75 | 30 | 30 | 30 | 30 |
| | | 11.8 | 14.2 | 19.7 | 23.7 | 29.6 | 35.5 | 39.4 | 44.4 | 53.2 | 63.9 | 71.0 | 79.9 | 95.8 | 115.0 | 127.8 | 159.7 | 191.7 | 215.6 | 258.8 | 287.5 | 300 | 300 | 300 | 300 |
| K9DP200N□ | | 1.58 | 1.89 | 2.63 | 3.15 | 3.94 | 4.73 | 5.26 | 5.91 | 7.10 | 85.2 | 9.46 | 10.65 | 12.78 | 15.33 | 17.03 | 21.29 | 25.55 | 28.75 | 30 | 30 | 30 | 30 | 30 | 30 |
| | | 15.8 | 18.9 | 26.3 | 31.5 | 39.4 | 47.3 | 52.6 | 59.1 | 71.0 | 85.2 | 94.6 | 106.5 | 127.8 | 153.3 | 170.3 | 212.9 | 255.5 | 287.5 | 300 | 300 | 300 | 300 | 300 | 300 |

* 减速机。中间减速机为另卖品

* 减速机品名中 □ 里 为减速比

* 色是与电机同一方向，其它为反方向。

* 表 比此减速比还要高的减速比时可以使用中间减速机。