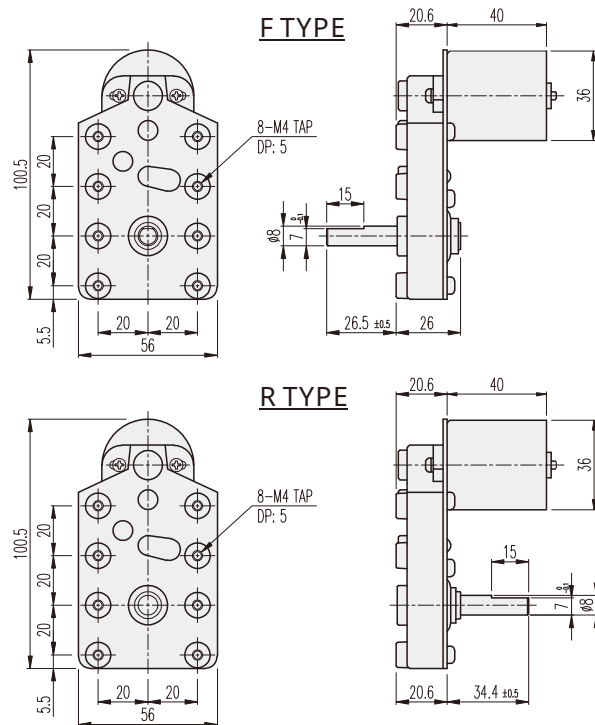
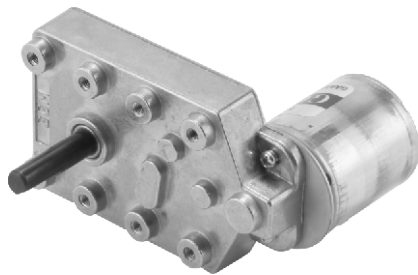


KGE-TYPE

DIMENSIONS

KGE-3640 BLDC SERIES



BLDC MOTOR PERFORMANCE DATA

MODEL	ITEM	VOLTAGE (DC)	NO LOAD		AT MAX. EFF.			WEIGHT (g)
			mA	rpm	gf-cm	A	rpm	
KB3640S1		12V	500	5300	150	1.2	4500	145
KB3640S2		24V	300	5000	250	0.8	3900	

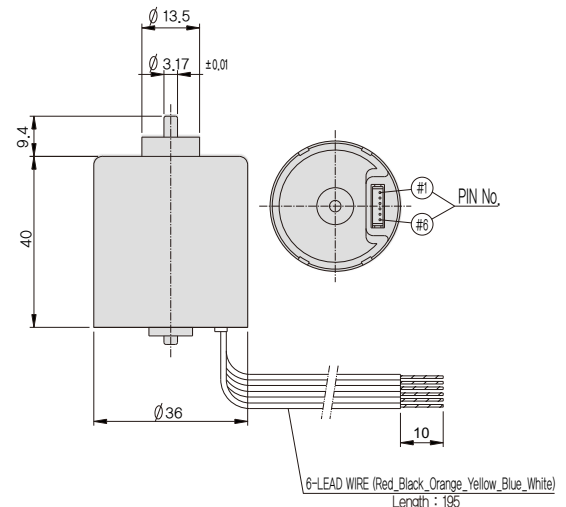
AT MAXIMUM EFFICIENCY (KGE-□□□□-KB3640S□)

GEAR	KB3640S1 DC 12V		KB3640S2 DC 24V	
	rpm	kgf-cm	rpm	kgf-cm
1/0022	204	2.4	177	4
1/0034	132	3.7	114.7	6.2
1/0043	104.5	4.7	90.6	7.8
1/0050	90	5.4	78	9.1
1/0062	72.5	6.7	62.9	11.3
1/0068	66	7.4	57.3	12.4
1/0083	54	9	46.9	15.1
1/0105	42.8	11.4	37.1	19.1
1/0116	38.7	12.6	33.6	20
1/0162	27.7	15.9	24	20
1/0182	24.7	17.9	21.4	20
1/0204	22	20	19.1	20
1/0240	18.7	20	16.2	20
1/0308	14.6	20	12.6	20
1/0350	12.8	20	11.1	20
1/0452	9.9	20	8.6	20
1/0615	7.3	20	6.3	20
1/0687	6.5	20	5.6	20

How to connect when speed control is not needed

No - Color	Pin - Contents	Connection Method
1 - White	Brake	No Use, (-) connectin Brake
2 - Blue	PWM	connecting to (-) power
3 - Yellow	1FG (6P/R)	No Use
4 - Orange	CW/CCW	Normal Open, CCW connecting to (-) power
5 - Black	GND	connecting to (-) power
6 - Red	24V	connecting to (+) power

* 連接不正確的電源 (+) (-) 時，請小心電機，以免造成損壞。



- * 彩色齒輪比與電動機的旋轉方向相同。
- * 每個功能轉換，請運行處於停滯狀態的電機。
- * 速度控制器控制器是調整槍式套房。
- * 標準是F-TYPE。