

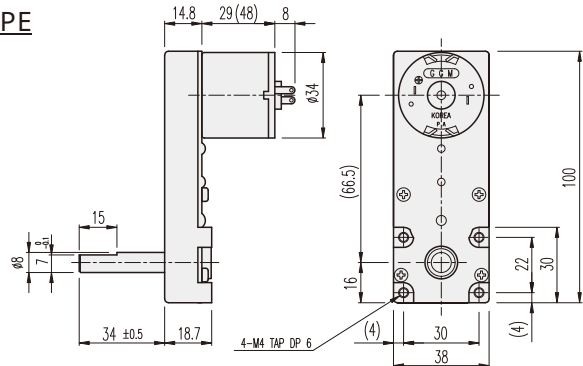
KGF-TYPE

DIMENSIONS

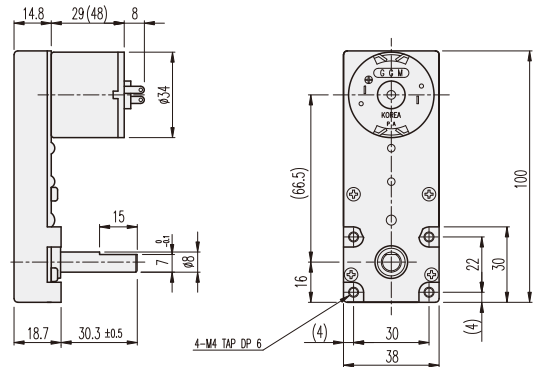
KGF SERIES



F TYPE



R TYPE



AT MAXIMUM EFFICIENCY (KGF-□□□□-KD3429□□)

GEAR	MODEL	KD3429S1		KD3429S2		KD3429T1		KD3429T2		KD3429P1		KD3429P2	
		DC 12V		DC 24V		DC 12V		DC 24V		DC 12V		DC 24V	
		rpm	kgf-cm	rpm	kgf-cm	rpm	kgf-cm	rpm	kgf-cm	rpm	kgf-cm	rpm	kgf-cm
1/0057		79	1.3	79	1.3	114	1.3	114	1.3	140	2.6	140	1.3
1/0100		45	2.4	45	2.4	65	2.4	65	2.4	80	4.8	80	2.4
1/0130		34.6	3.1	34.6	3.1	50	3.1	50	3.1	61.5	6.2	61.5	3.1
1/0188		23.9	4.4	23.9	4.4	34.6	4.4	34.6	4.4	42.6	8.8	42.6	4.4
1/0255		17.6	6	17.6	6	25.5	6	25.5	6	31.4	12	31.4	6

AT MAXIMUM EFFICIENCY (KGF-□□□□-KD3448□□)

GEAR	MODEL	KD3448S1		KD3448S2		KD3448T1		KD3448T2		KD3448P1		KD3448P2	
		DC 12V		DC 24V		DC 12V		DC 24V		DC 12V		DC 24V	
		rpm	kgf-cm	rpm	kgf-cm	rpm	kgf-cm	rpm	kgf-cm	rpm	kgf-cm	rpm	kgf-cm
1/0057		79	2.6	79	2.6	114	2.6	114	2.6	140	2.6	140	2.6
1/0100		45	4.8	45	4.8	65	4.8	65	4.8	80	4.8	80	4.8
1/0130		34.6	6.2	34.6	6.2	50	6.2	50	6.2	61.5	6.2	61.5	6.2
1/0188		23.9	8.8	23.9	8.8	34.6	8.8	34.6	8.8	42.6	8.8	42.6	8.8
1/0255		17.6	12	17.6	12	25.5	12	25.5	12	31.4	12	31.4	12

* 這些比率與電動機的旋轉方向相反。

* 標準是R-TYPE。

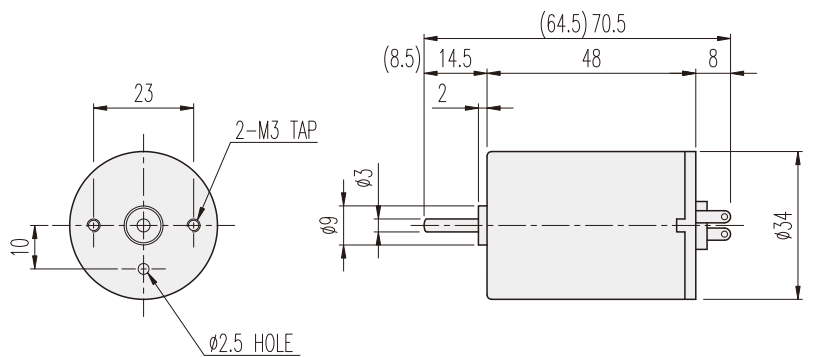
KD□-34□□-TYPE

DIMENSIONS

KD3429□□ SERIES



KD3448□□ SERIES



ENCODER SERIES

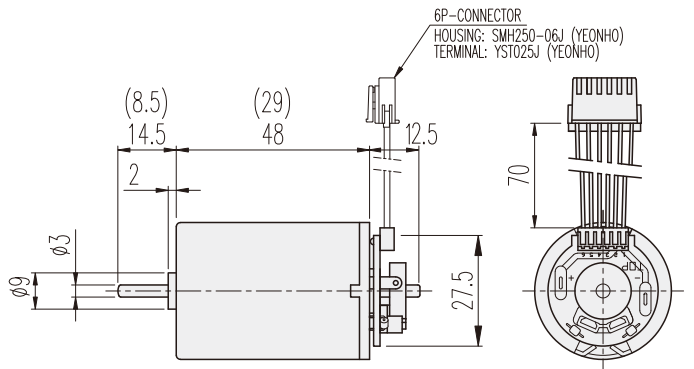
KD3429□□-E & 3448□□-E



6P-CONNECTOR 接线内容

No.1	連接内容	備註
1	DC MOOTR (+) 電源	供電時
2	DC MOOTR (-) 電源	MOTOR CCW - 逆轉
3	H/SENSOR (+) 電源	Vcc (+) DC 5 ~ 24V
4	H/SENSOR (-) 電源	GROUND
5	H/SENSOR #1 OUT	OPEN COLLECTOR MAX. DC 24V -50mA
6	H/SENSOR #1 OUT	

20極10脈衝 INCREMENTAL TYPE



PERFORMANCE DATA

MODEL	ITEM	VOLTAGE (DC)	NO LOAD		AT MAX. EFF.		STALL		WEIGHT (g)
			mA	rpm	gf-cm	A	rpm	A	
90	KD3429S1	12V	120	5200	40	0.3	4500	1.7	360
	KD3429S2	24V	70	5200	40	0.2	4500	1	370
	KD3429T1	12V	150	7500	40	0.5	6500	3.8	420
	KD3429T2	24V	80	7500	40	0.2	6500	1.2	320
140	KD3429P1	12V	200	9500	80	1	8000	3.8	330
	KD3429P2	24V	100	9500	40	0.3	8000	2	350
	KD3448S1	12V	150	5200	80	0.5	4500	3.2	830
	KD3448S2	24V	80	5200	80	0.3	4500	2	790
	KD3448T1	12V	220	7500	80	0.7	6500	5	730
	KD3448T2	24V	100	7500	80	0.4	6500	3	700
	KD3448P1	12V	300	9000	80	0.8	8000	5.5	670
	KD3448P2	24V	200	9000	80	0.5	8000	3.5	750