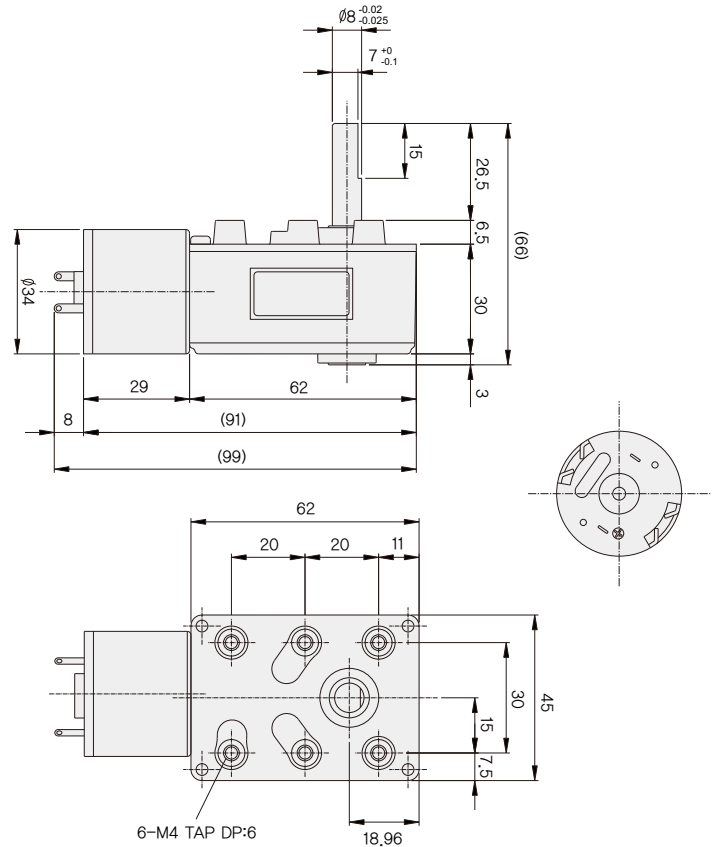


DIMENSIONS

KWB-3429 SERIES



AT MAXIMUM EFFICIENCY

GEAR	MODEL	KD3429S1		KD3429S2		KD3429T1		KD3429T2		KD3429P1		KD3429P2	
		DC 12V		DC 24V		DC 12V		DC 24V		DC 12V		DC 24V	
		rpm	kgf-cm	rpm	kgf-cm	rpm	kgf-cm	rpm	kgf-cm	rpm	kgf-cm	rpm	kgf-cm
1/0070		64	0.5	64	0.5	92.8	0.5	92.8	0.5	114	1	114	1
1/0100		45	0.8	45	0.8	65	0.8	65	0.8	80	1.6	80	1.6
1/0130		34.6	1	34.6	1	50	1	50	1	61.5	2	61.5	2
1/0160		28	1.2	28	1.2	40.6	1.2	40.6	1.2	50	2.4	50	2.4
1/0200		22.5	1.6	22.5	1.6	32.5	1.6	32.5	1.6	40	3.2	40	3.2
1/0260		17.5	2	17.5	2	25.2	2	25.2	2	31	4	31	4
1/0330		13.6	2.3	13.6	2.3	19.6	2.3	19.6	2.3	24.2	4.6	24.2	4.6
1/0400		11.2	2.8	11.2	2.8	16.2	2.8	16.2	2.8	20	5.6	20	5.6
1/0450		10	3.1	10	3.1	14.4	3.1	14.4	3.1	17.7	6.3	17.7	6.3
1/0500		9	3.5	9	3.5	13	3.5	13	3.5	16	7	16	7
1/0600		7.5	4.2	7.5	4.2	10.8	4.2	10.8	4.2	13.3	8.4	13.3	8.4
1/0750		6	4.7	6	4.7	8.6	4.7	8.6	4.7	10.6	9.4	10.6	9.4
1/0925		4.8	5.8	4.8	5.8	7	5.8	7	5.8	8.6	11.7	8.6	11.7
1/1000		4.5	6.3	4.5	6.3	6.5	6.3	6.5	6.3	8	12.6	8	12.6
1/1800		2.5	11.3	2.5	11.3	3.6	11.3	3.6	11.3	4.4	20	4.4	11.3

* 彩色齒輪比與電動機的旋轉方向相同。

* 標準是F-TYPE。

* R型可用。

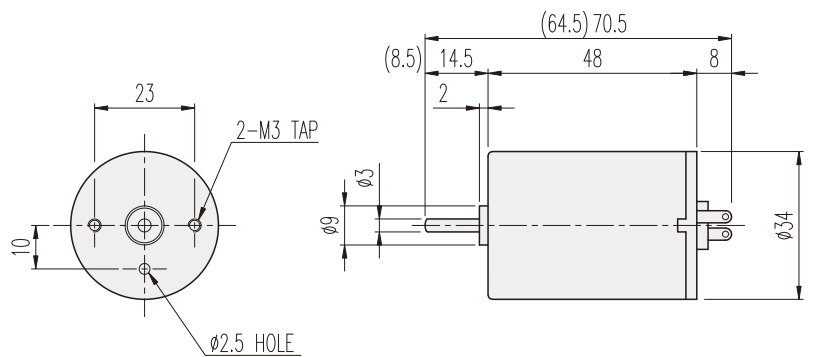
KD□-34□□-TYPE

DIMENSIONS

KD3429□□ SERIES



KD3448□□ SERIES



ENCODER SERIES

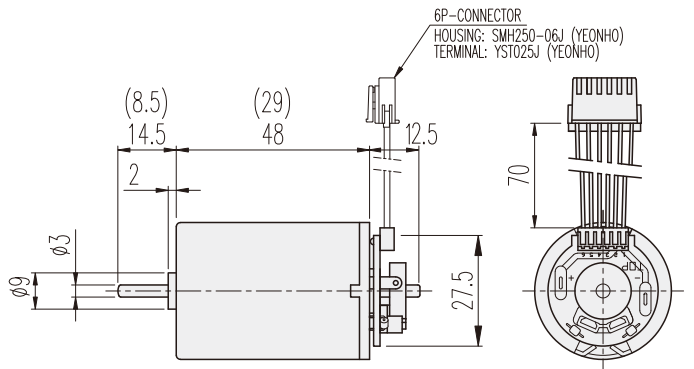
KD3429□□-E & 3448□□-E



6P-CONNECTOR 接线内容

No.1	連接内容	備註
1	DC MOOTR (+) 電源	供電時
2	DC MOOTR (-) 電源	MOTOR CCW - 逆轉
3	H/SENSOR (+) 電源	Vcc (+) DC 5 ~ 24V
4	H/SENSOR (-) 電源	GROUND
5	H/SENSOR #1 OUT	OPEN COLLECTOR MAX. DC 24V -50mA
6	H/SENSOR #1 OUT	

20極10脈衝 INCREMENTAL TYPE



PERFORMANCE DATA

MODEL	ITEM	VOLTAGE (DC)	NO LOAD		AT MAX. EFF.		STALL		WEIGHT (g)
			mA	rpm	gf-cm	A	rpm	A	
90	KD3429S1	12V	120	5200	40	0.3	4500	1.7	360
	KD3429S2	24V	70	5200	40	0.2	4500	1	370
	KD3429T1	12V	150	7500	40	0.5	6500	3.8	420
	KD3429T2	24V	80	7500	40	0.2	6500	1.2	320
140	KD3429P1	12V	200	9500	80	1	8000	3.8	330
	KD3429P2	24V	100	9500	40	0.3	8000	2	350
	KD3448S1	12V	150	5200	80	0.5	4500	3.2	830
	KD3448S2	24V	80	5200	80	0.3	4500	2	790
	KD3448T1	12V	220	7500	80	0.7	6500	5	730
	KD3448T2	24V	100	7500	80	0.4	6500	3	700
	KD3448P1	12V	300	9000	80	0.8	8000	5.5	670
	KD3448P2	24V	200	9000	80	0.5	8000	3.5	750