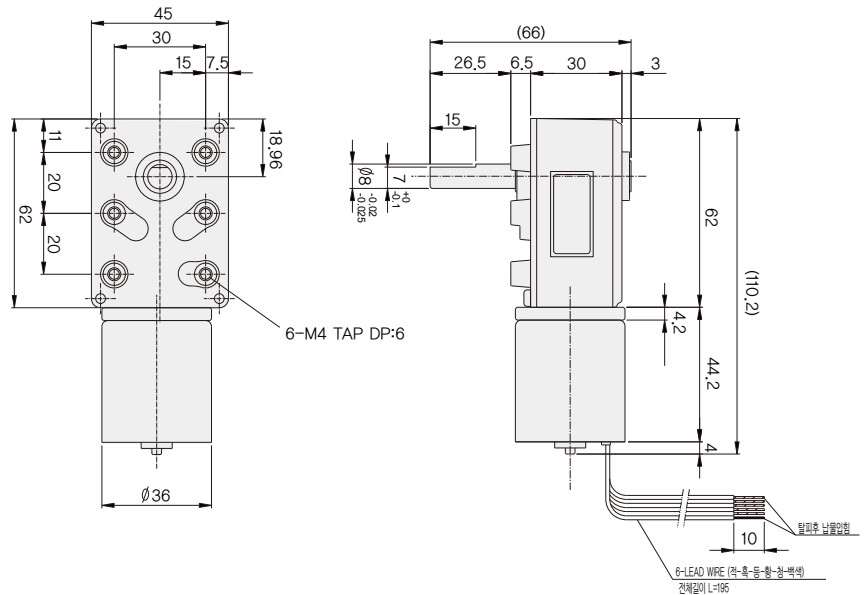


KWB-TYPE

Worm GEARHEAD

DIMENSIONS

KWB-3640 BLDC SERIES



BLDC MOTOR PERFORMANCE DATA

MODEL	ITEM	VOLTAGE (DC)	NO LOAD		AT MAX. EFF.		WEIGHT (g)	
			mA	rpm	gf-cm	A		rpm
KB3640S1		12V	500	5300	150	1.2	4500	145
KB3640S2		24V	300	5000	250	0.8	3900	

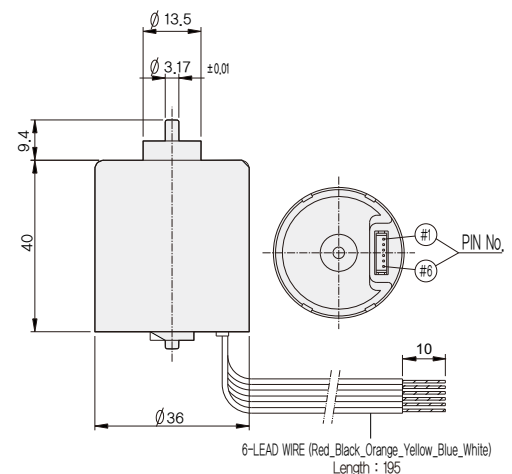
AT MAXIMUM EFFICIENCY

GEAR	MODEL	KB3640S1		KB3640S2	
		DC 12V		DC 24V	
		rpm	kgf-cm	rpm	kgf-cm
1/0070		64	2	55.7	3.4
1/0100		45	2.9	39	4.9
1/0130		34.6	3.8	30	6.3
1/0160		28	4.7	24.3	7.8
1/0200		22.5	5.8	19.5	9.7
1/0260		17.5	7.6	15	12.6
1/0330		13.6	9.6	11.8	16
1/0400		11.2	11.7	9.7	19.4
1/0450		10	13.1	8.6	20
1/0500		9	14.6	7.8	20
1/0600		7.5	17.5	6.5	20
1/0750		6	20	5.2	20
1/0925		4.8	20	4.2	20
1/1000		4.5	20	3.9	20
1/1800		2.5	20	2.2	20

How to connect when speed control is not needed.

No - Color	Pin - Contents	Connection Method
1 - White	Brake	No Use, (-) connectin Brake
2 - Blue	PWM	connecting to (-) power
3 - Yellow	1FG (6P/R)	No Use
4 - Orange	CW/CCW	Normal Open, CCW connecting to (-) power
5 - Black	GND	connecting to (-) power
6 - Red	24V	connecting to (+) power

* 連接不正確的電源 (+) (-) 時，請小心電機，以免造成損壞。



* 彩色齒輪比與電動機的旋轉方向相同。
 * 標準是F-TYPE。
 * R型可用。