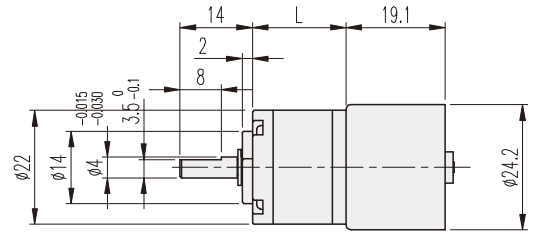
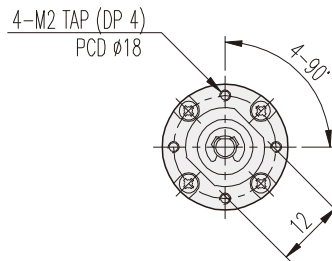


K22-TYPE

Planetary GEARHEAD

DIMENSIONS

K22-2419 BLDC SERIES



GEARHEAD LENGTH

| RATIO | L | RATIO | L |
|--------------|-------|----------------|-------|
| 1/4 | 14.4 | 1/198 ~ 1/455 | 25.35 |
| 1/14 ~ 1/19 | 18.05 | 1/742 ~ 1/1996 | 29 |
| 1/53 ~ 1/104 | 21.7 | | |

BLDC MOTOR PERFORMANCE DATA

| MODEL | ITEM | VOLTAGE (DC) | NO LOAD | | AT MAX. EFF. | | | WEIGHT (g) |
|----------|------|--------------|---------|------|--------------|-----|------|------------|
| | | | mA | rpm | gf-cm | mA | rpm | |
| KB2419U1 | | 12V | 120 | 6200 | 25 | 200 | 4500 | 30 |
| KB2419R2 | | 24V | 100 | 8700 | 18 | 180 | 7200 | |

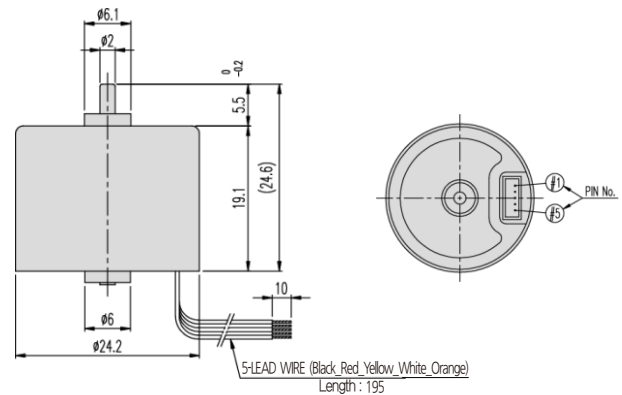
AT MAXIMUM EFFICIENCY (K22-□□□□-KB2419□□)

| GEAR | MODEL | KB2419U1 | | KB2419R2 | |
|--------|-------|----------|--------|----------|--------|
| | | DC 12V | | DC 24V | |
| | | rpm | kgf-cm | rpm | kgf-cm |
| 1/0004 | | 1125 | 0.09 | 1800 | 0.06 |
| 1/0014 | | 321 | 0.29 | 514 | 0.2 |
| 1/0016 | | 281 | 0.33 | 450 | 0.23 |
| 1/0019 | | 237 | 0.39 | 379 | 0.27 |
| 1/0053 | | 85 | 1 | 136 | 0.68 |
| 1/0062 | | 73 | 1.1 | 116 | 0.8 |
| 1/0072 | | 63 | 1.3 | 100 | 0.93 |
| 1/0084 | | 54 | 1.6 | 86 | 1.1 |
| 1/0104 | | 43 | 1.9 | 69 | 1.3 |
| 1/0198 | | 22.7 | 3 | 36 | 2.3 |
| 1/0231 | | 19.5 | 3 | 31 | 2.7 |
| 1/0270 | | 16.7 | 3 | 26.7 | 3 |
| 1/0316 | | 14.2 | 3 | 22.8 | 3 |
| 1/0370 | | 12.1 | 3 | 19.5 | 3 |
| 1/0455 | | 9.9 | 3 | 15.8 | 3 |
| 1/0742 | | 6 | 3 | 9.7 | 3 |
| 1/1014 | | 4.4 | 3 | 7.1 | 3 |
| 1/1249 | | 3.6 | 3 | 5.7 | 3 |
| 1/1621 | | 2.8 | 3 | 4.4 | 3 |
| 1/1996 | | 2.3 | 3 | 3.6 | 3 |

How to connect when speed control is not needed.

| No - Color | Pin - Contents | Connection Method |
|------------|----------------|--|
| 1 - Black | GND | connecting to (-) power |
| 2 - Red | 12V | connecting to (+) power |
| 3 - Yellow | 1FG | No Use |
| 4 - White | PWM | CW connecting to (-) power |
| 5 - Orange | CW/CCW | Normal Open, CCW connecting to (-) power |

* 連接不正確的電源 (+) (-) 時，請小心電機，以免造成損壞。



- * 彩色齒輪比與電動機的旋轉方向相同。
- * 每個功能轉換，請運行處於停滯狀態的電機。
- * 速度控制器是調整槍式套房。